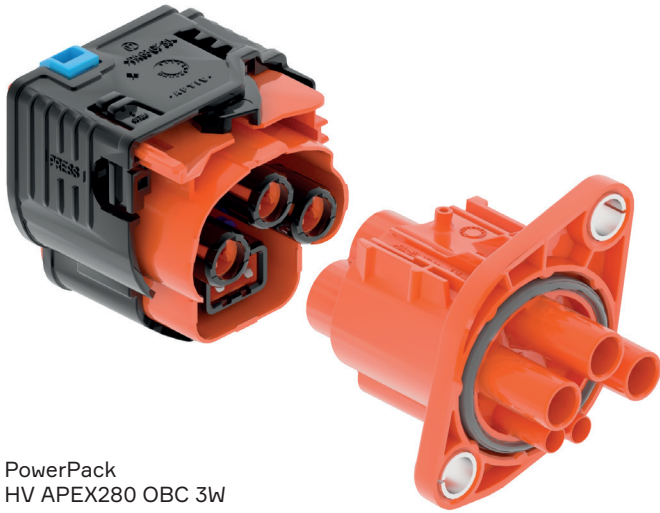


POWERPACK

HV APEX280 OBC 3W



PowerPack
HV APEX280 OBC 3W

BENEFITS

- Optimized for 40A on-board charging solutions using 6 mm² cable range
- Robust and field proven Apex® 2.8 terminal technology
- Best in class safety and ergonomics in a compact package

FEATURES

- Compact two-piece design
- Robust connection: 3.9G vibration, 125°C temp range
- Easy mating ErgoMate™ system
- HVIL shunt on female connector



AVAILABLE CONFIGURATIONS

| | |
|--------------------------------|-----------------|
| Connector Type | Wire-to-device |
| Cable Exit Orientation | 180° |
| Cable Range (mm ²) | 6 |
| Terminal Type | Apex® 2.8 |
| # of Terminals | 3 |
| Shielding Type | Unshielded |
| HVIL | Shunt on female |
| Assembly Assurance | CPA |
| Number of Indexes | 1 |



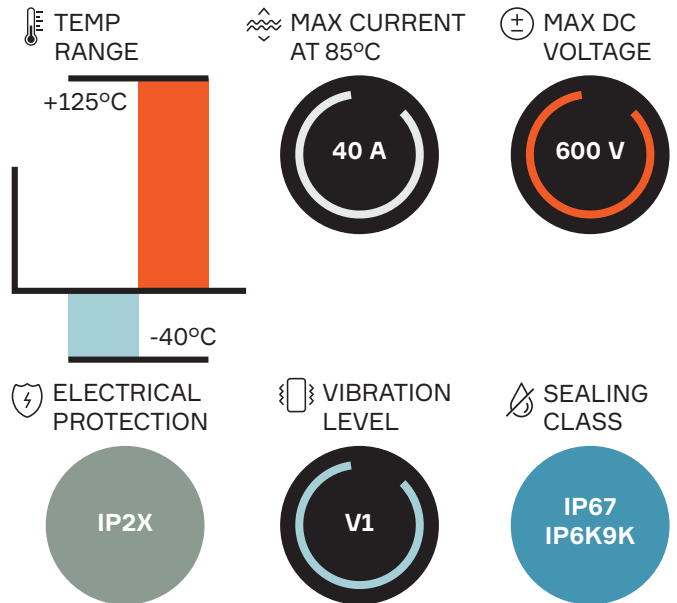
APPLICATIONS

Inlet LV, On-board charger (OBC)

See back page for representative part numbers and packaging dimensions.



TECHNICAL CHARACTERISTICS



About Aptiv

Aptiv is a global technology company that develops safer, greener and more connected solutions enabling the future of mobility.

Visit [aptiv.com](https://www.aptiv.com) →

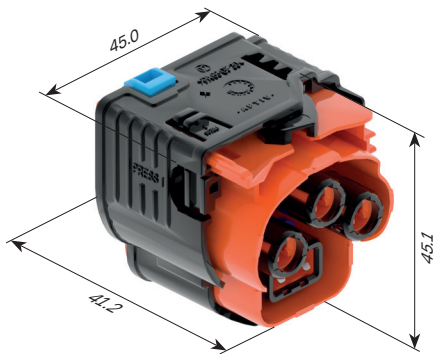


| Header connector | Mating connector | BOM |
|------------------|------------------|-----|
| 35328058 | 35328072 | 1 |

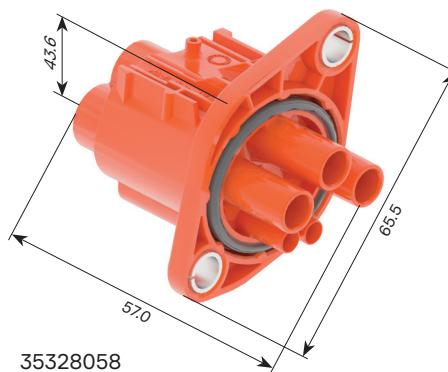
ASSOCIATED PARTS

| Part number | Description | BOM |
|-------------------------|--|-----|
| Header | | |
| 15516298 | APEX® 2.8 male tinned terminal 4 - 6 mm ² | 3 |
| 33511802 | DCS2 1.5 male terminal gold-plated 0.22 - 0.35 mm ² | 2 |
| 10779703 | DCS2 1.5 male terminal gold-plated 0.5 - 1.0 mm ² | |
| Mating connector | | |
| 10810733 | APEX® 2.8 female tinned terminal 4 - 6 mm ² | 3 |
| Seals | | |
| 15324981 | Single wire seal blue (for JASO wire: EEX, EEHX, EEHX-BSX) | 6 |
| 12186636 | Single wire seal white (for ISO thin wall cable) | 6 |
| 15441379 | Single wire seal red 0.35 - 0.5 mm ² | 2 |
| 15441380 | Single wire seal grey 0.75 - 1 mm ² | |
| 35453673 | Protective cover | 1 |

DIMENSION MEASUREMENT SAMPLE



35328072



35328058

COMPATIBLE WITH



Part numbers, specifications, dimensions and performance data in this document are for general references only and are subject to change without notice. To verify product information, please contact an Aptiv representative.

CS-SP133-HV-En0521