
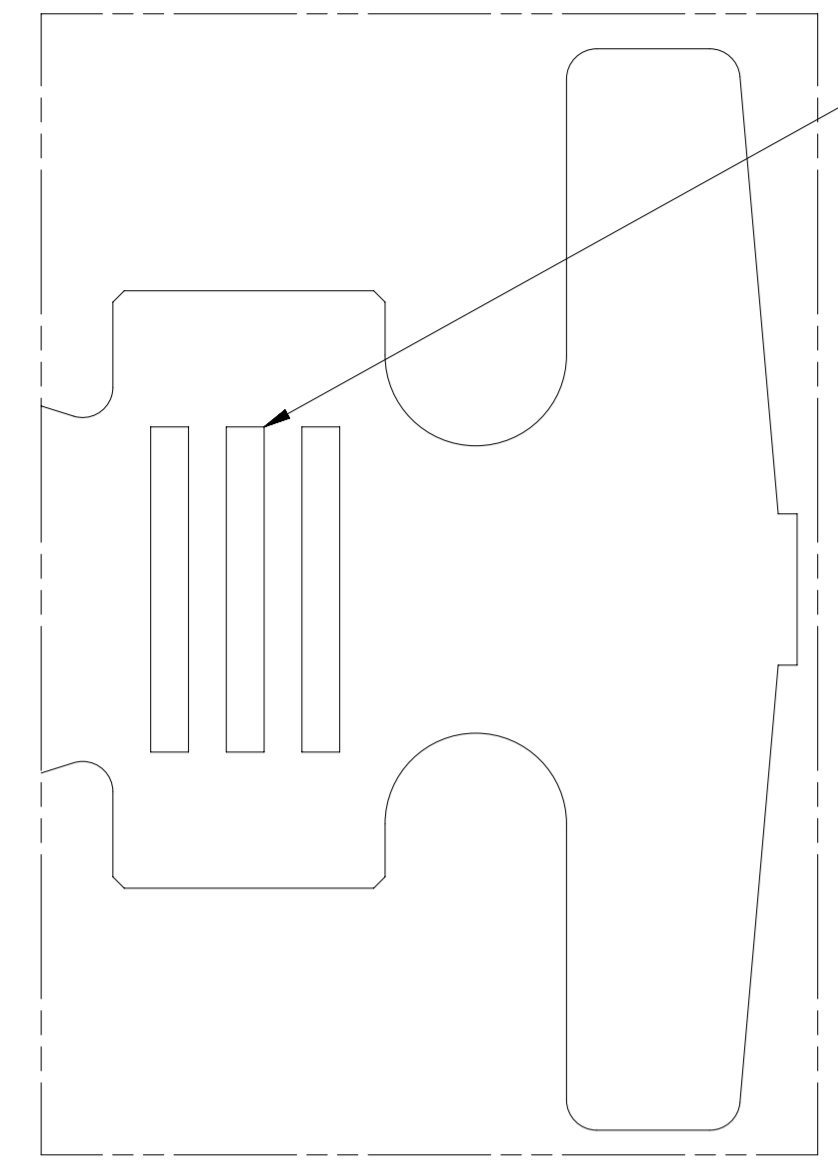


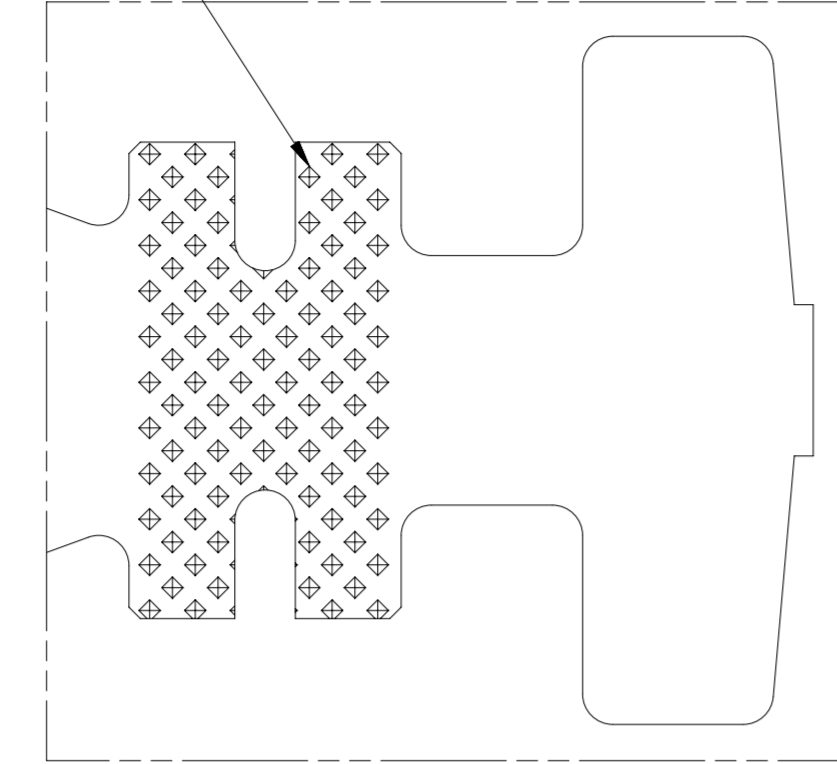
SYMBOL DEFINITION	
A DIMENSION WITHOUT AN INSPECTION REPORT SYMBOL  DOES NOT REQUIRE INSPECTION. IT MAY BE CONTROLLED ON THE INDIVIDUAL COMPONENT DRAWING.	TOTAL NO OF INSPECTIONS REQUIRED
	7
	LAST NO. USED
	7

MISSING SYMBOLS	
NO MISSING SYMBOL NUMBER	

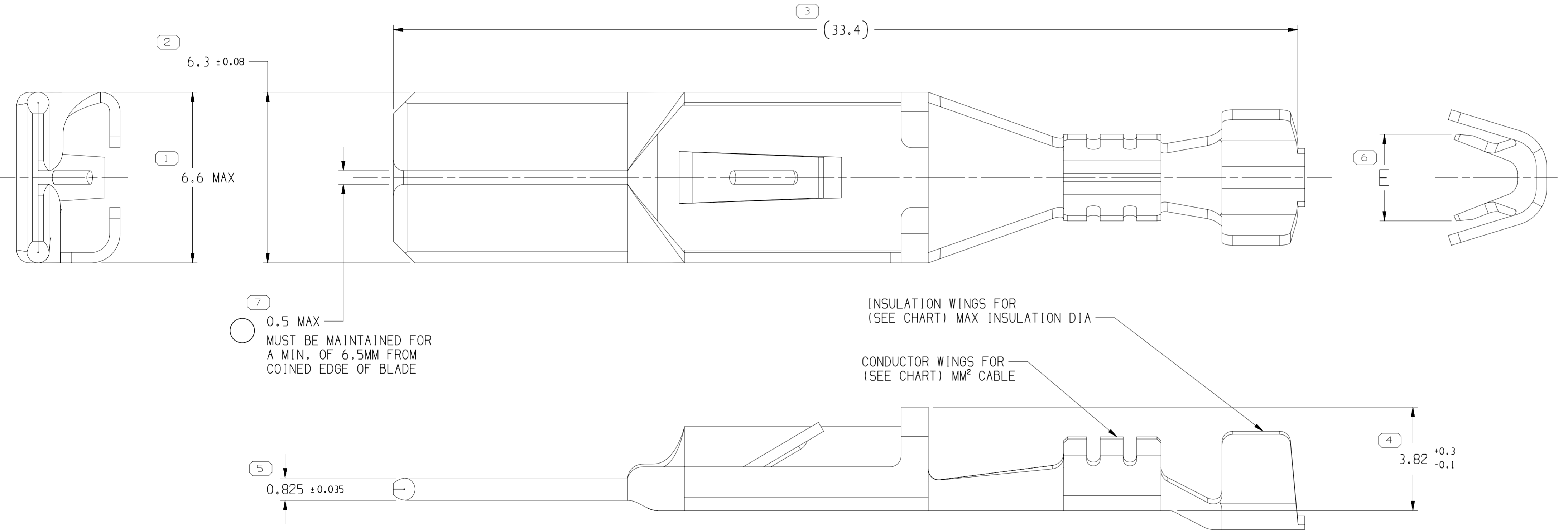
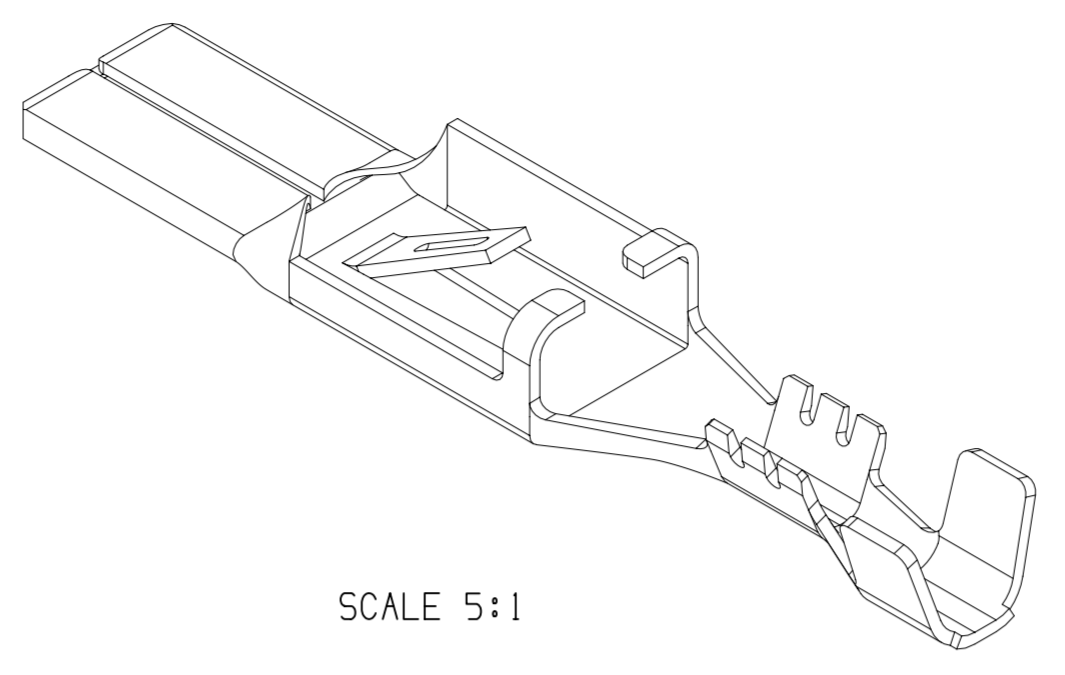
DATE	STG	REV	N/P	CHG	ZONE	REVISION HISTORY	AUTH	DR	APVD 1	APVD 2
27N006	R	09	-	-		ALL ACTIVE PARTS - RELEASED TAXI PART DRAWING	287070	TLD	TLD	MGO
18DE06	R	10	-	-		ALL ACTIVE PARTS - REVISED MATERIAL SPEC	286837	PCP	PCP	BGG
11SE09	R	11	-	-		ALL ACTIVE PARTS - REDRAWN TO 3D MODELS	408916	ECB	AUG	APR
200C09	R	12	-	-		ALL ACTIVE PARTS - DIM 3.82 +0.3/-0.1 WAS +0.18/-0.1	409267	APR	MMC	APR
140C10	R	13	-	-		ALL ACTIVE PARTS - UPDATED PDM ATTRIBUTES	412261	ACR	JVM	GEM
08AG12	R	14	-	-		12020125-26, 12020365, 12033972, 12052826, 12066454 & 12066493 - UPDATED PDM ATTRIBUTES	419205	AGM	AGM	MAA
14FE14	R	15	-	-		12020126, 12020365 - ADDED TYPE 102 VIEW; 12033972, 12052826, 12066493 & 12186095 - ADDED TYPE 103 VIEW	425501	AGC	JVM	JSM
19FE15	R	16	-	-		12186095 - ADDED TARNISH INFO NOTE	428877	ABH	JVM	JSM
19JN15	R	17	-	-		12066278, 12186095 MAKE OBSOLETE	429950	RCE	LES	VMR
26AU21	R	18	-	-		ALL ACTIVE PARTS - ADDED DIM #7	555101	GDH	JAA	AGH



TYPE 102  
SAME AS TYPE 101  
EXCEPT AS SHOWN



TYPE 103  
SAME AS TYPE 101  
EXCEPT AS SHOWN



- NOTES
- UNLESS OTHERWISE SPECIFIED AND/OR INDICATED:  
DIMENSIONS ARE TO FACE OF VIEW SHOWN AND AUTOMATICALLY ROUNDED BY COMPUTER FOR INSPECTION (SEE MATH MODEL FOR PRECISE DIMENSIONS). FOR ALL OTHER DIMENSIONS NOT SHOWN BUT REQUIRED FOR TOOL BUILD, SEE MATH MODEL FOR PRECISE TOOL PATH DATA.
  - REFERENCE MATING COMPONENTS OR EQUIVALENT:  
TERMINAL 12015832
  - FOR TERMINALS PACKAGED & STORED IN THE APPROVED MANNER, TARNISH ON SILVER PLATED SURFACES WILL NOT AFFECT THE PERFORMANCE OF THE PART.

PART NO	REV	N/P	MAT'L SIZE	MAT'L SPEC	PART NO	REV	N/P	MAT'L SPEC	SIZE	MM²	DIA	ID	TYPE	E.o.t
			0.381 X 42.47		12186095	A7	-	AG PLATED COPPER ALLOY	5 - 3	5.25-3.49	11	103	4.6	
			0.381 X 42.47		12066493	04	-	TIN PLATED COPPER ALLOY	5 - 3	5.25-3.49	11	103	4.6	
12066278	A5	-	0.381 X 42.47	COPPER ALLOY	12066454	03	-	TIN PLATED COPPER ALLOY	0.5-0.35	2.51-1.84	21	101	2.4 ± 0.2	
			0.381 X 42.47		12052826	06	-	TIN PLATED COPPER ALLOY	3	3.2-3.04	12	103	4.6	
			0.381 X 42.47		12033972	06	-	TIN PLATED COPPER ALLOY	TWO 0.8-0.5	3.12-2.03	219	103	3.7	
			0.381 X 42.47		12020365	07	-	TIN PLATED COPPER ALLOY	TWO 3	4.67-3.49	212	102	6.6	
			0.381 X 42.47		12020127	D	-	BRASS	5 - 3	5.25-3.49	11	102	4.6	
12020390	B	-	0.381 X 42.47	BRASS	12020126	06	-	TIN PLATED COPPER ALLOY	2 - 1	3.97-2.48	15	102	3.7	
12020391	D	-	0.381 X 42.47	BRASS	12020125	08	-	TIN PLATED COPPER ALLOY	0.8-0.5	3.12-2.03	19	101	3.2	

LINE DRAWN THROUGH A PART NUMBER INDICATES THAT PHYSICAL PARTS ARE NOT AVAILABLE FOR ORDERING.

PART NUMBERS THAT DO NOT HAVE A LINE PRESENT INDICATE THAT PHYSICAL PARTS ARE AVAILABLE FOR ORDERING.

CONTACT APTIV SALES TO ASSURE AVAILABILITY OF PARTS.

DWG TYPE: PART DRAWING

STYLE: [Symbol]

VOLUME (CM³): [Symbol]

DISTR CODE: [Symbol]

UNLESS OTHERWISE SPECIFIED THIS DOCUMENT IS IN ACCORDANCE WITH ASME Y14.5M-1994 AS AMENDED BY THE GM GLOBAL DIMENSIONING AND TOLERANCING ADDENDUM-2001. SEPARATE PATTERNS OF FEATURES MAY BE GAGED SEPARATELY REGARDLESS OF DATUM REFERENCES.

ALL DIMENSIONS ARE IN MILLIMETERS

REFERENCE:

THIRD ANGLE PROJECTION

DO NOT SCALE

USE MATH DATA

2 PROCESS SENSITIVE DIMENSION

DIMENSIONS ENCLOSED IN ( ) INDICATE REFERENCE DIMENSIONS AND NO TOLERANCE LIMITS ARE ESTABLISHED

DIMENSIONAL RANGE (MM) CHART ID

FROM 0 TO 12 > 12

TOLERANCE UNLESS OTHERWISE SPECIFIED

+0.1 +0.2

ANGULAR TOLERANCE ±2°

**• APTIV •**

CONNECTION SYSTEMS

WARREN, OH

COPYRIGHT 2006 APTIV. ALL RIGHTS RESERVED.

THIS DRAWING IS THE PROPERTY OF APTIV AND CONTAINS APTIV CONFIDENTIAL INFORMATION. THE REPRODUCTION, DISTRIBUTION AND UTILIZATION OF THIS DOCUMENT OR ITS RELATED CAD MATH DATA, AS WELL AS COMMUNICATION OF ANY CONTENT TO OTHERS, WITHOUT EXPRESS AUTHORIZATION, IS PROHIBITED.

DR	DATE
APVD1 TERRI DAVIS	27N006
APVD2 TERRI DAVIS	27N006
APVD3 MICHAEL OROLOGAS	28N006
APVD4	
APVD5	

SUBSTANCES OF CONCERN AND RECYCLED CONTENT PER APTIV 10949001

MATERIAL: SEE CHART

DRAWING NAME: TAXI TERM M M/P 630

DRAWING NUMBER: 12020124

SIZE	SCALE	FRAME NO	SHEET NO	STG	REV	N/P
A1	10:1	1 OF 1	1 OF 1	R	18	-