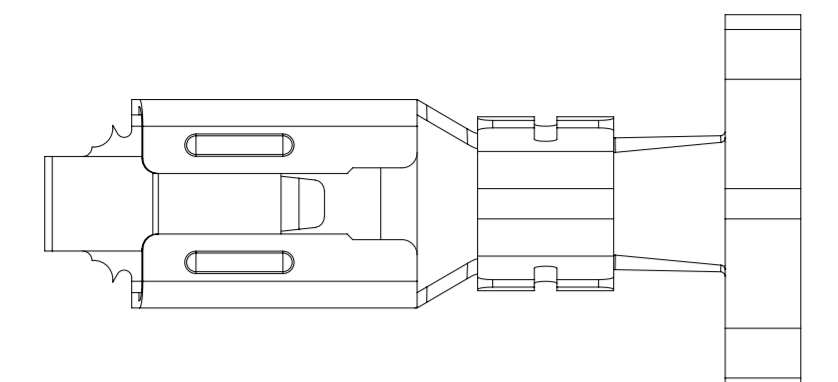
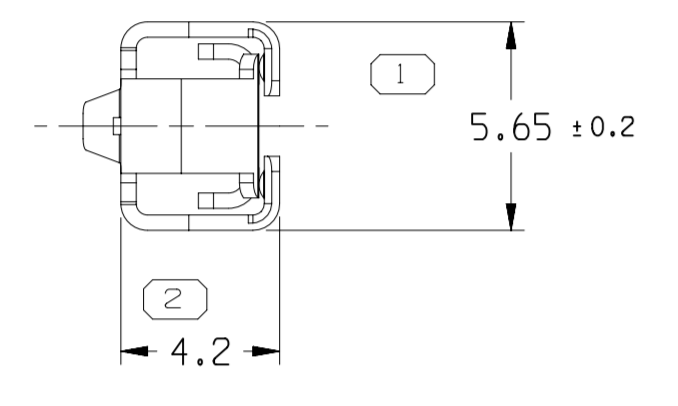
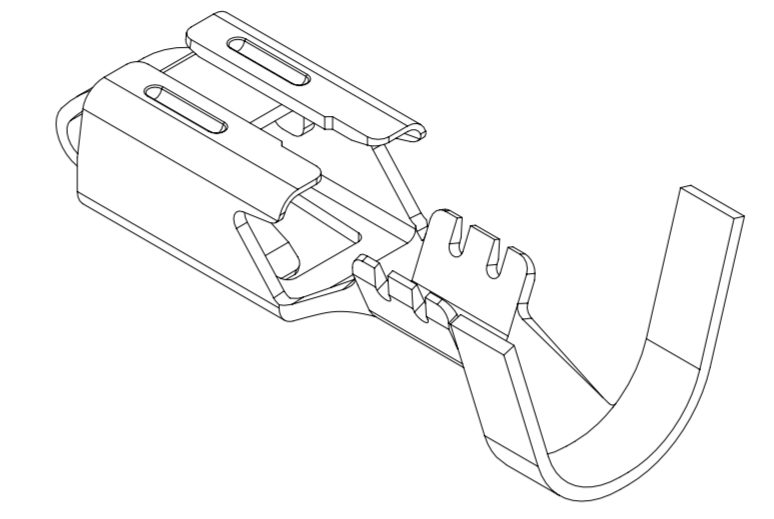
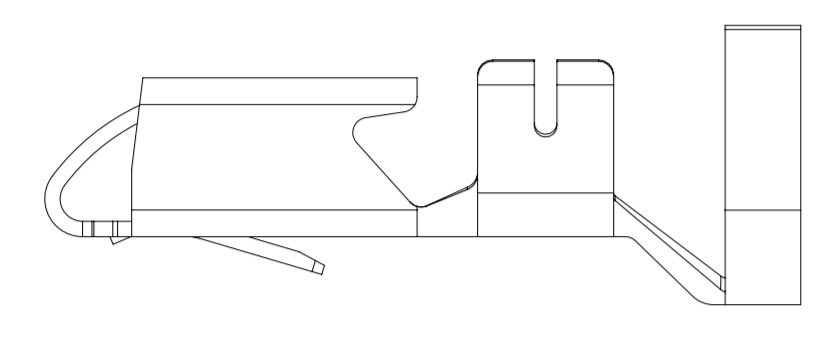


SYMBOL DEFINITION		MISSING SYMBOLS	
A DIMENSION WITHOUT AN INSPECTION REPORT SYMBOL DOES NOT REQUIRE INSPECTION. IT MAY BE CONTROLLED ON THE INDIVIDUAL COMPONENT DRAWING.	TOTAL NO OF INSPECTIONS REQUIRED	NO MISSING SYMBOL NUMBER	
	10		
	LAST NO. USED		
	10		

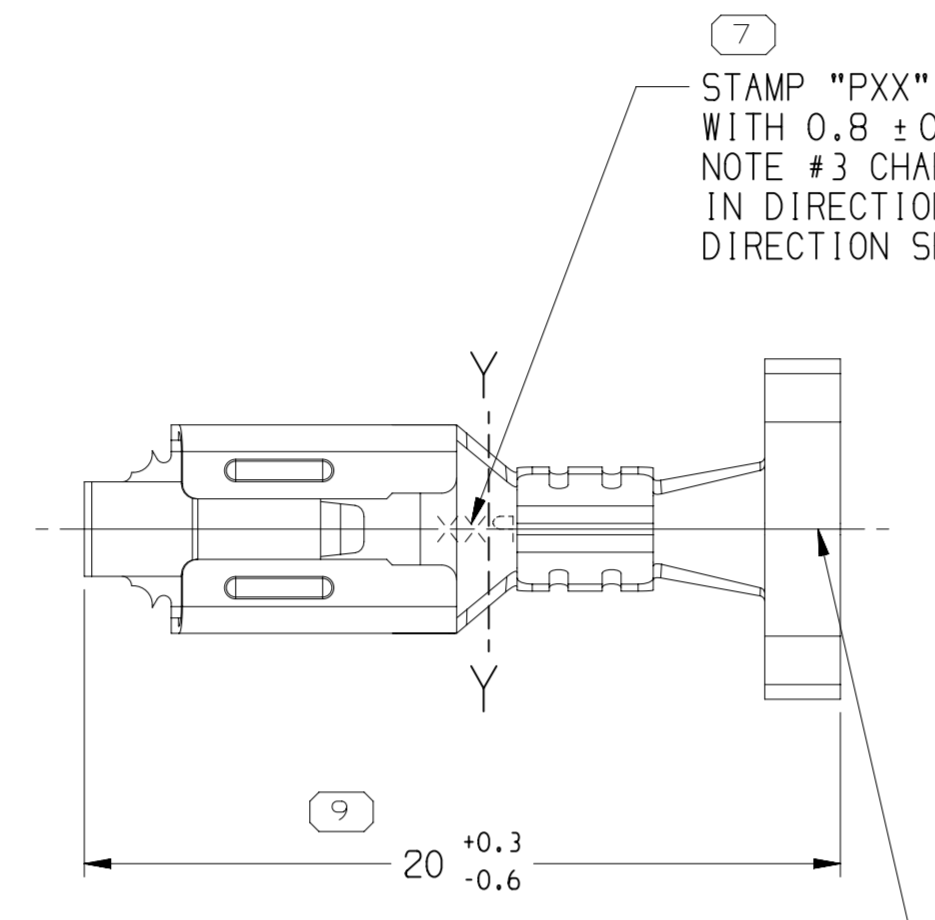
DWG STATUS					REVISION HISTORY				AUTH	DR	APVD 1	APVD 2	
DATE	STG	REV	N/P	CHG	ZONE								
03DE09	R	03	-	-		ALL ACTIVE PARTS - WERE SEPARATE DWGS				409030	JRL	JVM	APN
14AU19	R	04	-	-		12052139, 12048451 - ADDED TYPE 102 VIEW				444202	GDH	EVV	OMS



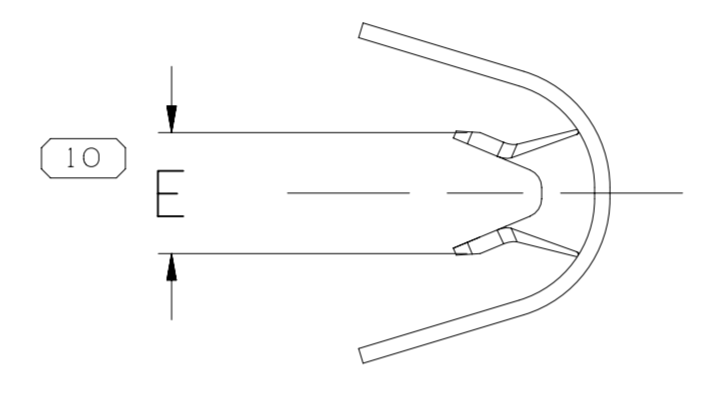
TYPE 102
SAME AS TYPE 101
EXCEPT AS SHOWN



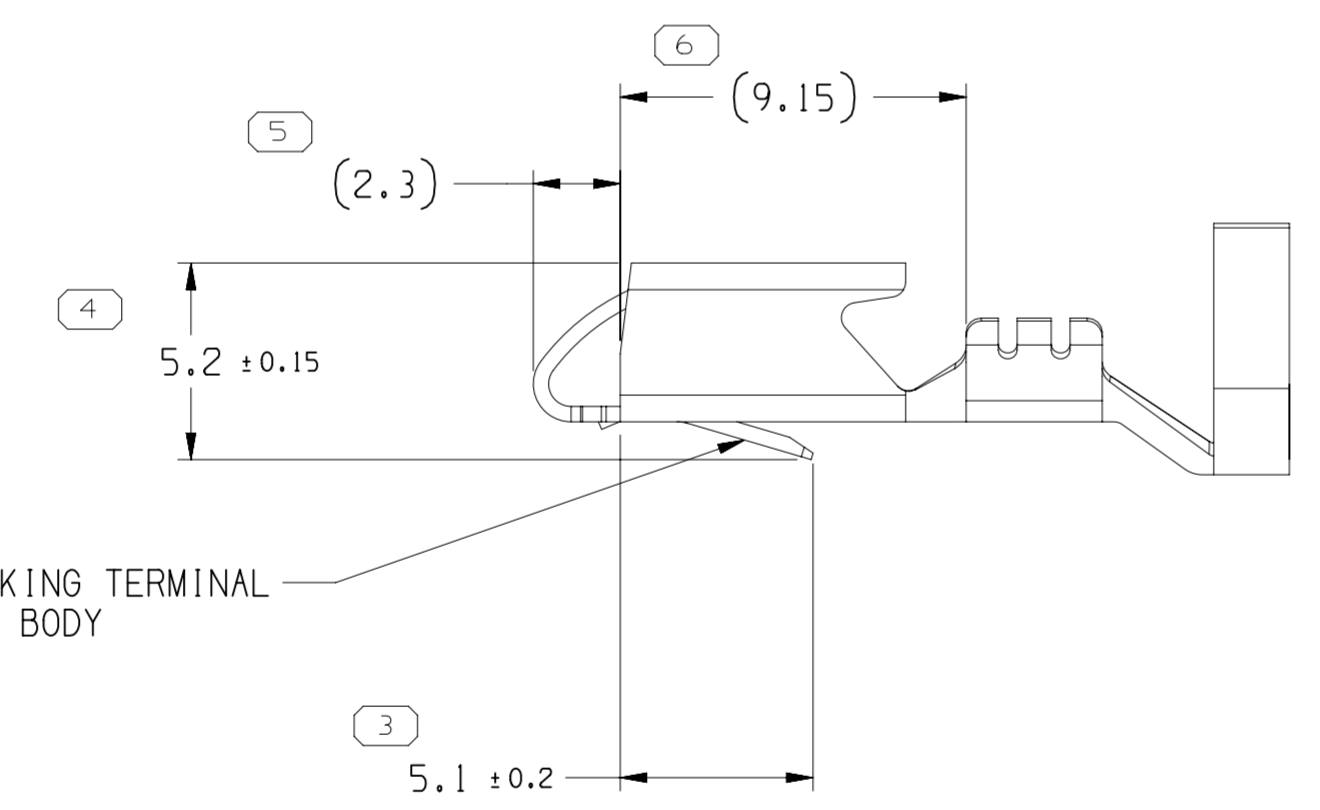
VIEW TO Y-Y



TYPE 101



VIEW TO Y-Y



TANG FOR LOCKING TERMINAL
IN CONNECTOR BODY

NOTES

- UNLESS OTHERWISE SPECIFIED AND/OR INDICATED:
DIMENSIONS ARE TO FACE OF VIEW SHOWN AND AUTOMATICALLY ROUNDED BY COMPUTER FOR INSPECTION (SEE MATH MODEL FOR PRECISE DIMENSIONS). FOR ALL OTHER DIMENSIONS NOT SHOWN BUT REQUIRED FOR TOOL BUILD, SEE MATH MODEL FOR PRECISE TOOL PATH DATA.
- DO NOT PROBE, TEST OR OTHERWISE CONTACT THE INTERIOR REGION (THE SPRING OR ANY MOVING PART) OF THIS TERMINAL. SEVERE DAMAGE CAN OCCUR, COMPROMISING THE PERFORMANCE OF THE ELECTRICAL INTERFACE.
- REFERENCE GAGE #G-6904.
- "PXX" INDICATES "P" PLUS LAST TWO DIGITS OF MAKE DIE SERIES NUMBER (P01, P02, P03, ETC).
- TERMINALS TO HAVE TERMINAL ENGAGE OF 8N TO 28N WHEN MATED TO A 4.8 WIDE X 0.81 HARDENED STEEL BLADE
- RECOMMENDED MATING BLADE 4.8 WIDE X 0.81.

PART NO	REV	N/P	STATUS	MAT'L SIZE	MAT'L SPEC	PART NO	REV	N/P	MAT'L SIZE	MAT'L SPEC	SIZE (MM²)	ID	DIA	TYPE
-	-	-	-	-	-	12052139	K5	-	0.406 X 33.32	M1574028 METL NONFERROUS C42500 EX HD	5-3	11	5.24-3.49	102 4.6
-	-	-	-	-	-	12052025	H	-	0.406 X 33.32	M1519028 METL NONFERROUS C42500 EX HD	3	12	4.9-3.57	102 4.6
-	-	-	-	-	-	12048451	H5	-	0.406 X 33.32	M1574028 METL NONFERROUS C42500 EX HD	2-1	15	3.59-2.56	102 3.7
-	-	-	-	-	-	12048450	J4	-	0.406 X 33.32	M1574028 METL NONFERROUS C42500 EX HD	0.8-0.5	19	2.68-2.11	101 3.2
UNPLATED						PLATED						CABLE		

(10) PROCESS SENSITIVE DIMENSION	
DIMENSIONS ENCLOSED IN () INDICATE REFERENCE DIMENSIONS AND NO TOLERANCE LIMITS ARE ESTABLISHED	
DIMENSIONAL RANGE (MM)	CHART ID
FROM 0	> 12
TO 12	
TOLERANCE UNLESS OTHERWISE SPECIFIED	
+0.1	+0.2
ANGULAR TOLERANCE	±2°

LINE DRAWN THROUGH A PART NUMBER INDICATES THAT PHYSICAL PARTS ARE NOT AVAILABLE FOR ORDERING.

PART NUMBERS THAT DO NOT HAVE A LINE PRESENT INDICATE THAT PHYSICAL PARTS ARE AVAILABLE FOR ORDERING.

CONTACT APTIV SALES TO ASSURE AVAILABILITY OF PARTS.

DWG TYPE: PART DRAWING

STYLE: [Symbol]

VOLUME (CM³): [Symbol]

DISTR CODE: [Symbol]

UNLESS OTHERWISE SPECIFIED THIS DOCUMENT IS IN ACCORDANCE WITH ASME Y14.5M-1994 AS AMENDED BY THE GM GLOBAL DIMENSIONING AND TOLERANCING ADDENDUM-2001. SEPARATE PATTERNS OF FEATURES MAY BE GAGED SEPARATELY REGARDLESS OF DATUM REFERENCES.

ALL DIMENSIONS ARE IN MILLIMETERS

THIRD ANGLE PROJECTION

DO NOT SCALE

USE MATH DATA

• APTIV •

CONNECTION SYSTEMS

WARREN, OH

COPYRIGHT 2009 APTIV. ALL RIGHTS RESERVED.

THIS DRAWING IS THE PROPERTY OF APTIV AND CONTAINS APTIV CONFIDENTIAL INFORMATION. THE REPRODUCTION, DISTRIBUTION AND UTILIZATION OF THIS DOCUMENT OR ITS RELATED CAD MATH DATA, AS WELL AS COMMUNICATION OF ANY CONTENT TO OTHERS, WITHOUT EXPRESS AUTHORIZATION, IS PROHIBITED.

DR	DATE
APVD1 JORGE RODRIGUEZ	03DE09
APVD2 J. VILLAMIL	03DE09
APVD3 A. PAYAN	04DE09
APVD4	
APVD5	

SUBSTANCES OF CONCERN AND RECYCLED CONTENT PER APTIV 10949001

MATERIAL: SEE CHART

DRAWING NAME: TAXI TERM F M/P 480 SEALED LOCKING LANCE

DRAWING NUMBER: 12088010

SIZE	SCALE	FRAME NO	SHEET NO	STG	REV	N/P
A1	5:1	1 OF 1	1 OF 2	R	04	-