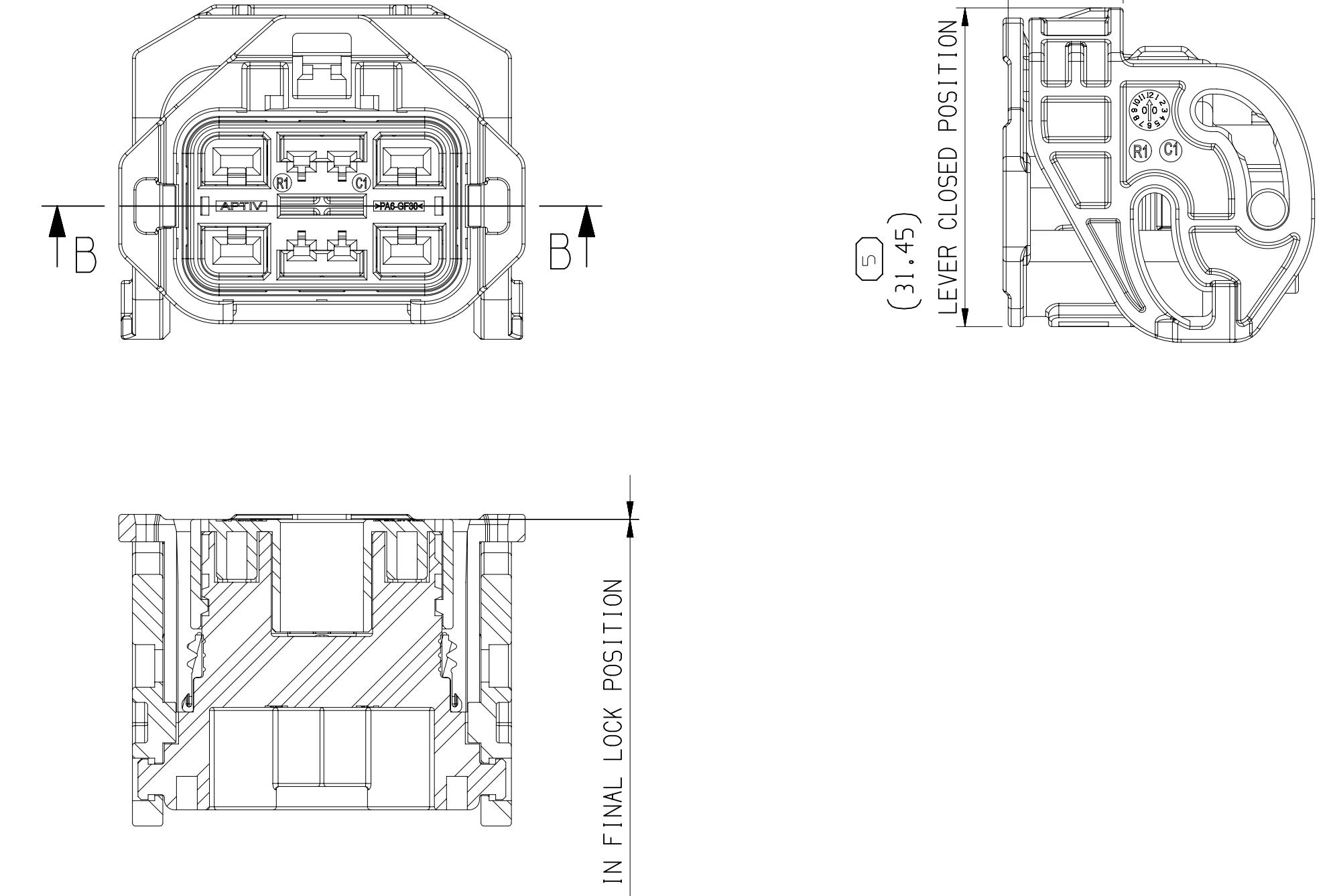


SCALE 2:1

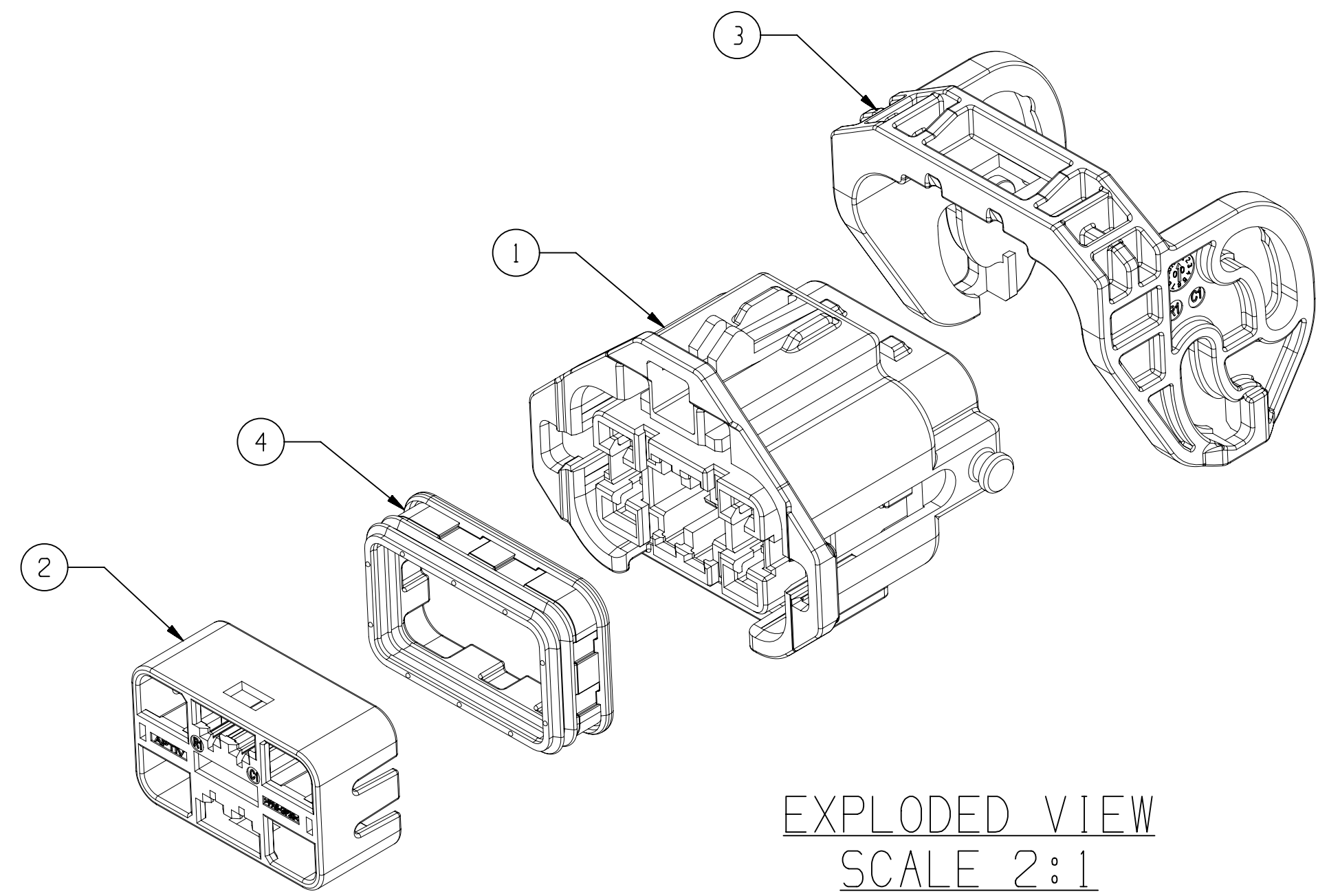
LEVER OPEN AND TPA PRE-LOCK POSITION



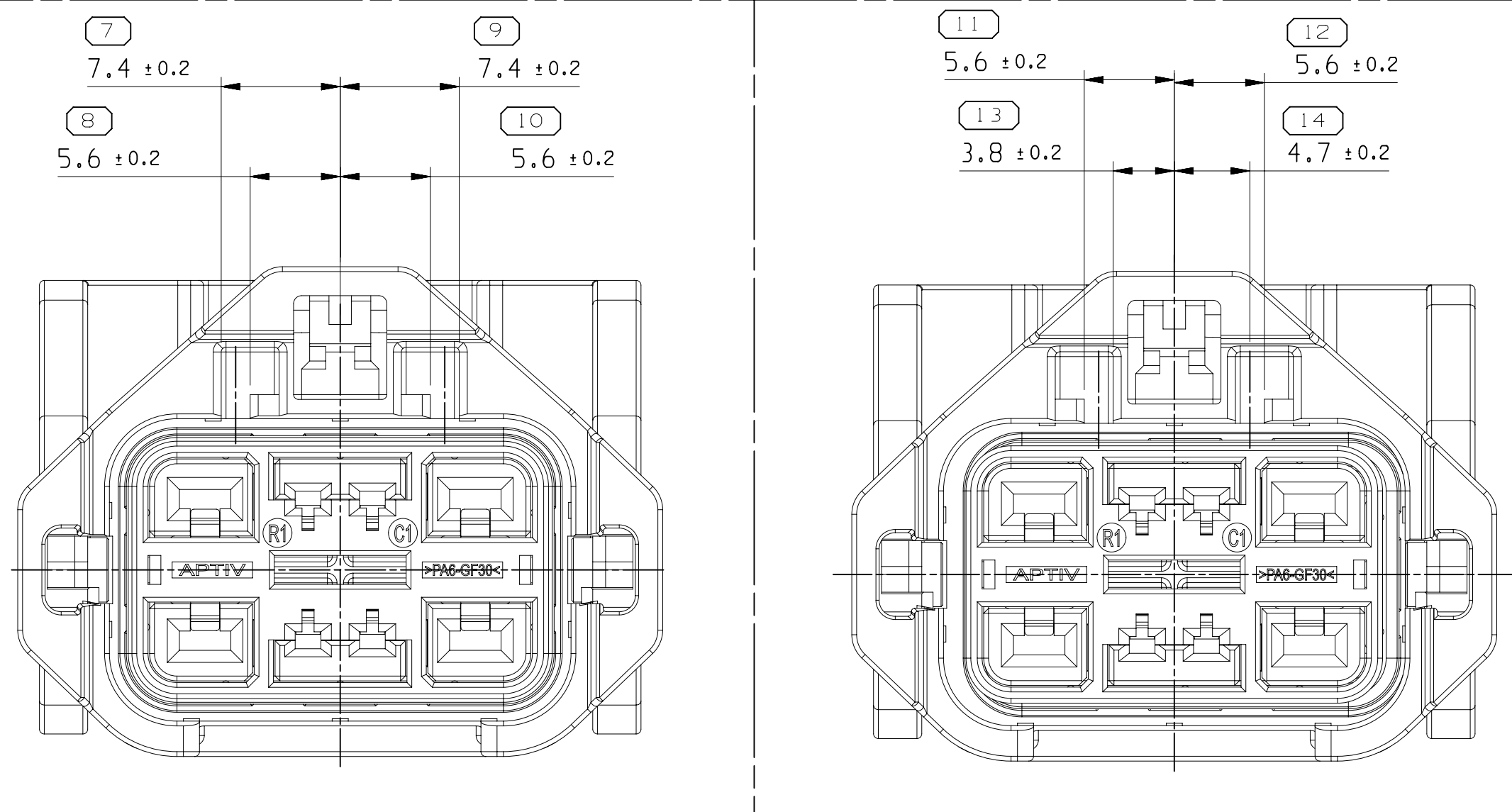
SCALE 2:1

LEVER CLOSED AND TPA FINAL-LOCK POSITION

SYMBOL DEFINITION		MISSING SYMBOLS	
A DIMENSION WITHOUT AN INSPECTION REPORT SYMBOL DOES NOT REQUIRE INSPECTION. IT MAY BE CONTROLLED ON THE INDIVIDUAL COMPONENT DRAWING.	TOTAL NO OF INSPECTIONS REQUIRED	NO MISSING SYMBOL NUMBER	
	35		
	LAST NO. USED		
	30		

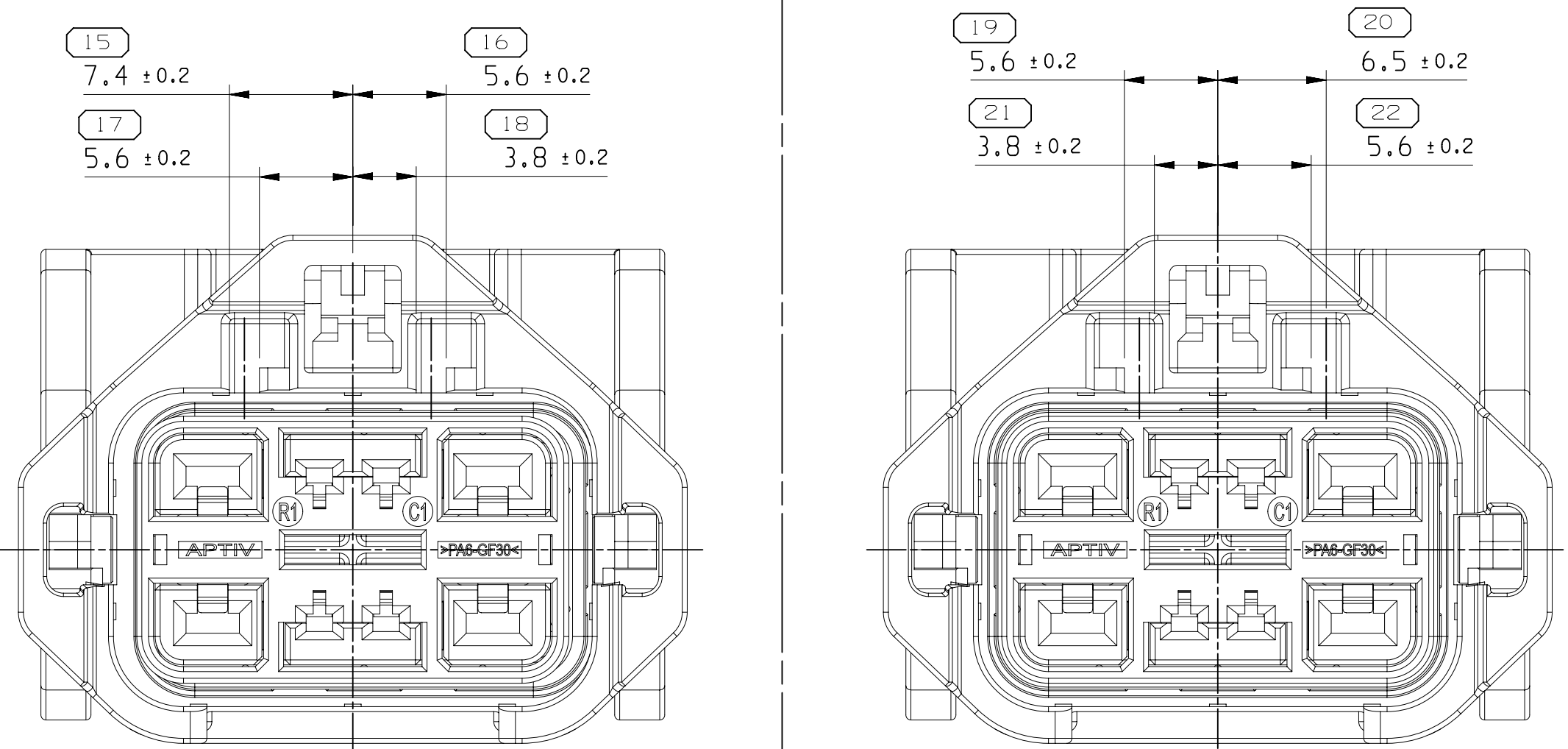


EXPLODED VIEW SCALE 2:1



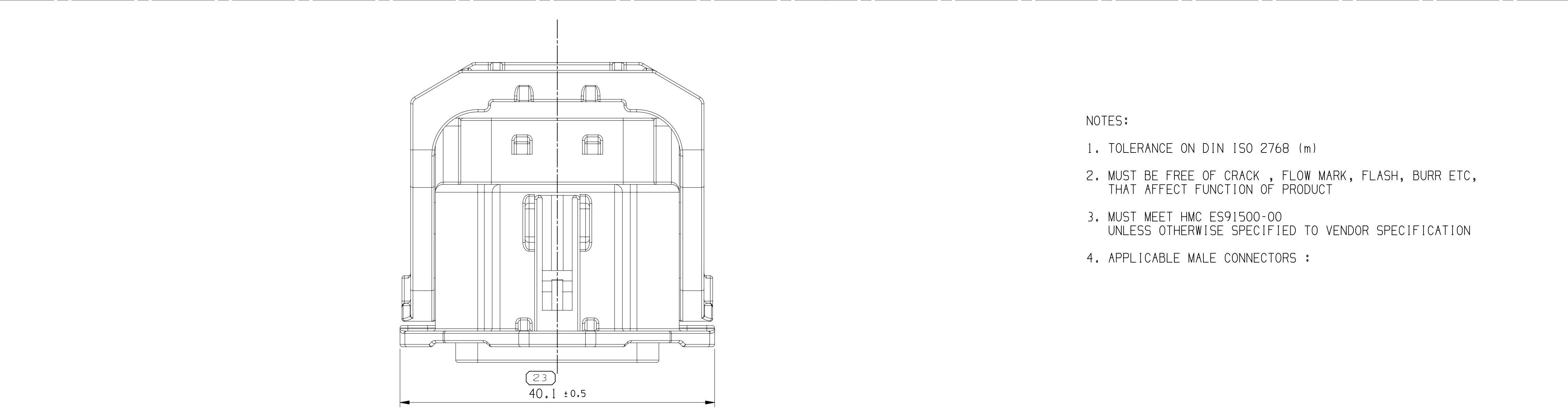
CODE A

CODE B



CODE C

CODE D

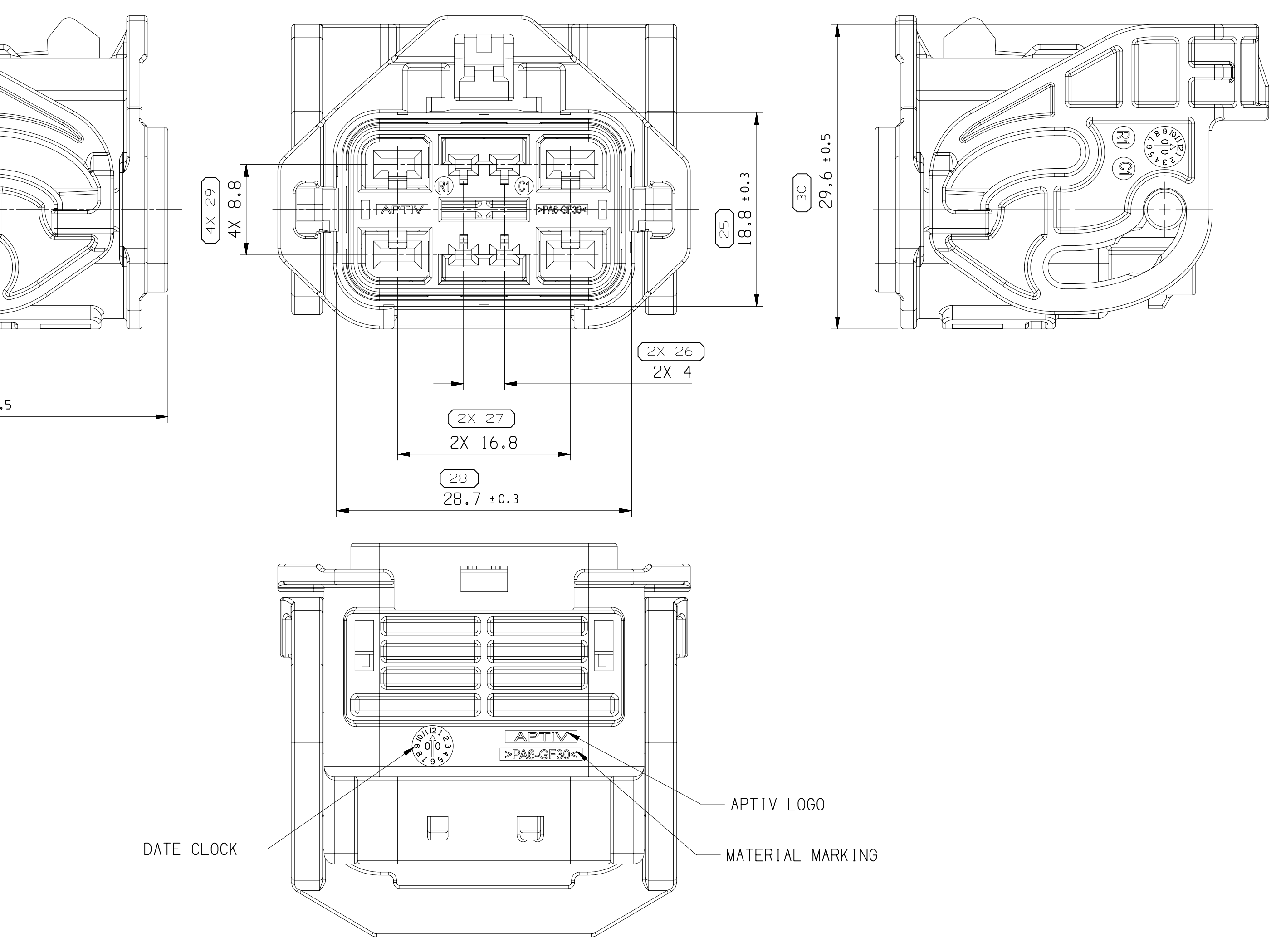


- NOTES:
- TOLERANCE ON DIN ISO 2768 (m)
  - MUST BE FREE OF CRACK, FLOW MARK, FLASH, BURR ETC, THAT AFFECT FUNCTION OF PRODUCT
  - MUST MEET HMC ES91500-00 UNLESS OTHERWISE SPECIFIED TO VENDOR SPECIFICATION
  - APPLICABLE MALE CONNECTORS :

ASSOCIATED PARTS					
FEMALE TERMINAL	WIRE	WIRE SIZE (mm <sup>2</sup> )	AWG		
APEX 2.8	TIN	13627267	2.5	13	
	TIN	54001864	0.75~1.25	16~18	
	SILVER STRIPE, SPOT	F731400	0.3~0.5	20~22	
	SILVER STRIPE, SPOT	F931400	0.3~0.5	16~18	
APEX 1.2	GOLD STRIPE, SPOT	54001863	0.75~1.25	16~18	
	TIN SILVER	54002005	0.3~0.5	20~22	
	TIN SILVER	54001866	0.75~1.25	16~18	
TIN SILVER	54002007	0.3~0.5	20~22		

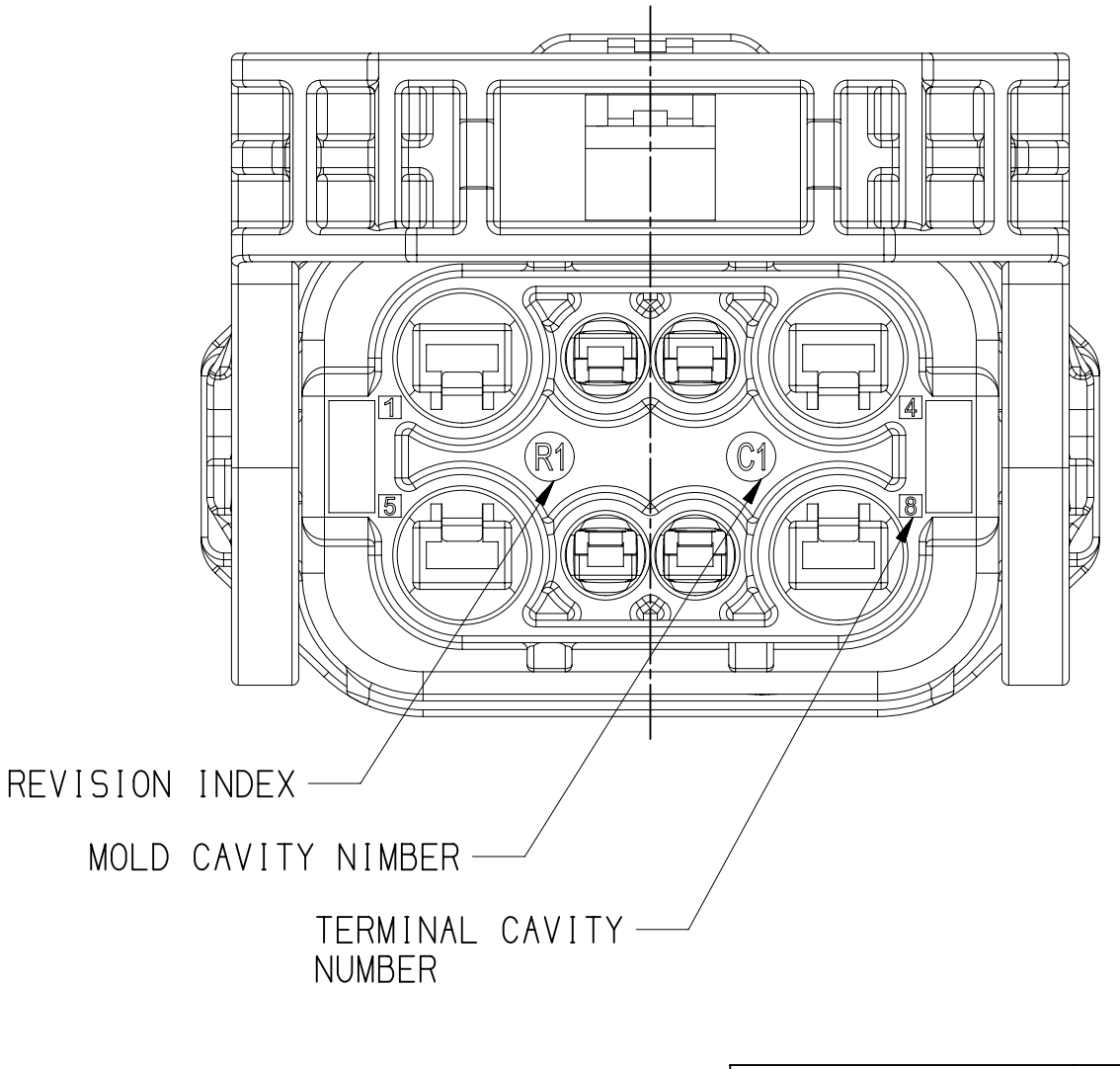
CABLE SEAL						
TERMINAL	TYPE	PART NUMBER	WIRE SIZE (mm <sup>2</sup> )	INSULATION Ø	COLOR	MATERIAL
APEX 2.8	SHORT	35215173	2.5	2.9~3.0	BLACK	SILICONE RUBBER
		33318278	0.3~0.35	1.2~1.5	GRAY	
APEX 1.2	SHORT	33318279	0.5~0.85	1.6~1.9	LIGHT GRAY	
		33318275	1.0~1.5	1.9~2.4	BLACK	
	DUMMY SEAL	33402443	-	-	WHITE	
		35020635	-	-	DARK GRAY	

CODING	TYPE	REP.	PART NUMBER	DESCRIPTION	QTY.	MATERIAL	COLOR	REMARKS
A TYPE	ASSEMBLY	-	35238861	SEALED FEMALE CONNECTOR CODE A	-	-	-	
	FEMALE HOUSING	1	35258425	FEMALE HOUSING CODE A	1	PA6 GF30	BLACK	
	TPA	2	35258444	FEMALE TPA	1	PA6 GF30	BLUE	
	LEVER	3	35258445	LEVER	1	PA66 GF30	GRAY	
B TYPE	INTERFACE SEAL	4	35258443	INTERFACE SEAL	1	SILICONE RUBBER	RED	
	ASSEMBLY	-	35239041	SEALED FEMALE CONNECTOR CODE B	-	-	-	
	FEMALE HOUSING	1	35258429	FEMALE HOUSING CODE B	1	PA6 GF30	BLACK	
	TPA	2	35258444	FEMALE TPA	1	PA6 GF30	BLUE	
C TYPE	LEVER	3	35258445	LEVER	1	PA66 GF30	GRAY	
	INTERFACE SEAL	4	35258443	INTERFACE SEAL	1	SILICONE RUBBER	RED	
	ASSEMBLY	-	35241513	SEALED FEMALE CONNECTOR CODE C	-	-	-	
	FEMALE HOUSING	1	35258431	FEMALE HOUSING CODE C	1	PA6 GF30	BLACK	
D TYPE	TPA	2	35258444	FEMALE TPA	1	PA6 GF30	BLUE	
	LEVER	3	35258445	LEVER	1	PA66 GF30	GRAY	
	INTERFACE SEAL	4	35258443	INTERFACE SEAL	1	SILICONE RUBBER	RED	
	ASSEMBLY	-	35258378	SEALED FEMALE CONNECTOR CODE D	-	-	-	
A	FEMALE HOUSING	1	35258442	FEMALE HOUSING CODE D	1	PA6 GF30	BLACK	
	TPA	2	35258444	FEMALE TPA	1	PA6 GF30	BLUE	
	LEVER	3	35258445	LEVER	1	PA66 GF30	GRAY	
	INTERFACE SEAL	4	35258443	INTERFACE SEAL	1	SILICONE RUBBER	RED	



DIN ISO 2768 Tolerance Class Medium (m)							
Linear Dimensions except for broken edges	Permissible deviations for basic size range (mm)						
	0.5 ±1 up to 3	over 3 up to 6	over 6 up to 30	over 30 up to 120	over 120 up to 400	over 400 up to 1000	over 1000 up to 2000
Broken edges (radii, chamfers)	Permissible deviations for basic size range (mm)						
	±0.1	±0.1	±0.2	±0.3	±0.5	±0.8	±1.2
Angular dimensions	Permissible deviations for ranges of lengths, in mm, of the shorter side of the angle concerned						
	up to 10	over 10 up to 50	over 50 up to 120	over 120 up to 400	over 400		
		±1'	±0' 30'	±0' 20'	±0' 10'	±0' 5'	

±1 For nominal sizes below 0.5mm, the deviations shall be indicated adjacent to the relevant nominal size(s).



REVISION INDEX  
MOLD CAVITY NUMBER  
TERMINAL CAVITY NUMBER

DATE: 15FE19 R 01

REVISION HISTORY: INITIAL DRAWING

APPROVED: CHO, WOO-JAE

DATE: 15FE19

APPROVED: CHO, WOO-JAE

DATE: 15FE19

APPROVED: CHOI, JUNG-WOOK

DATE: 15FE19

APPROVED: PARK, JOO-HYUN

DATE: 15FE19

GENERAL TOLERANCES ACCORDING TO: GD&T ACCORDING TO:

THIRD ANGLE PROJECTION

DO NOT SCALE

USE MATH DATA

**APTIV**

CONNECTION SYSTEMS

Copyright 2019 APTIV. All rights reserved.

THIS DRAWING IS THE PROPERTY OF APTIV AND DRAWING APTIV CONFIDENTIAL INFORMATION. THE REPRODUCTION, DISTRIBUTION AND UTILIZATION OF THIS DOCUMENT OR ITS RELATED CAD DATA, AS WELL AS COMMUNICATION OF ANY CONTENT TO OTHERS, WITHOUT EXPRESS AUTHORIZATION, IS PROHIBITED.

DATE: 15FE19

DR: CHO, WOO-JAE

APVD1: CHO, WOO-JAE

APVD2: CHOI, JUNG-WOOK

APVD3: PARK, JOO-HYUN

APVD4: [Blank]

APVD5: [Blank]

MATERIAL: SEE NOTE

DRAWING NUMBER: APTIV.1.2/2.8 5WAY FEMALE CONNECTOR

DRAWING NO: 35263945

SIZE: A0

SCALE: 3:1

FRAME NO: 1

SHEET NO: 1

REV: R 01