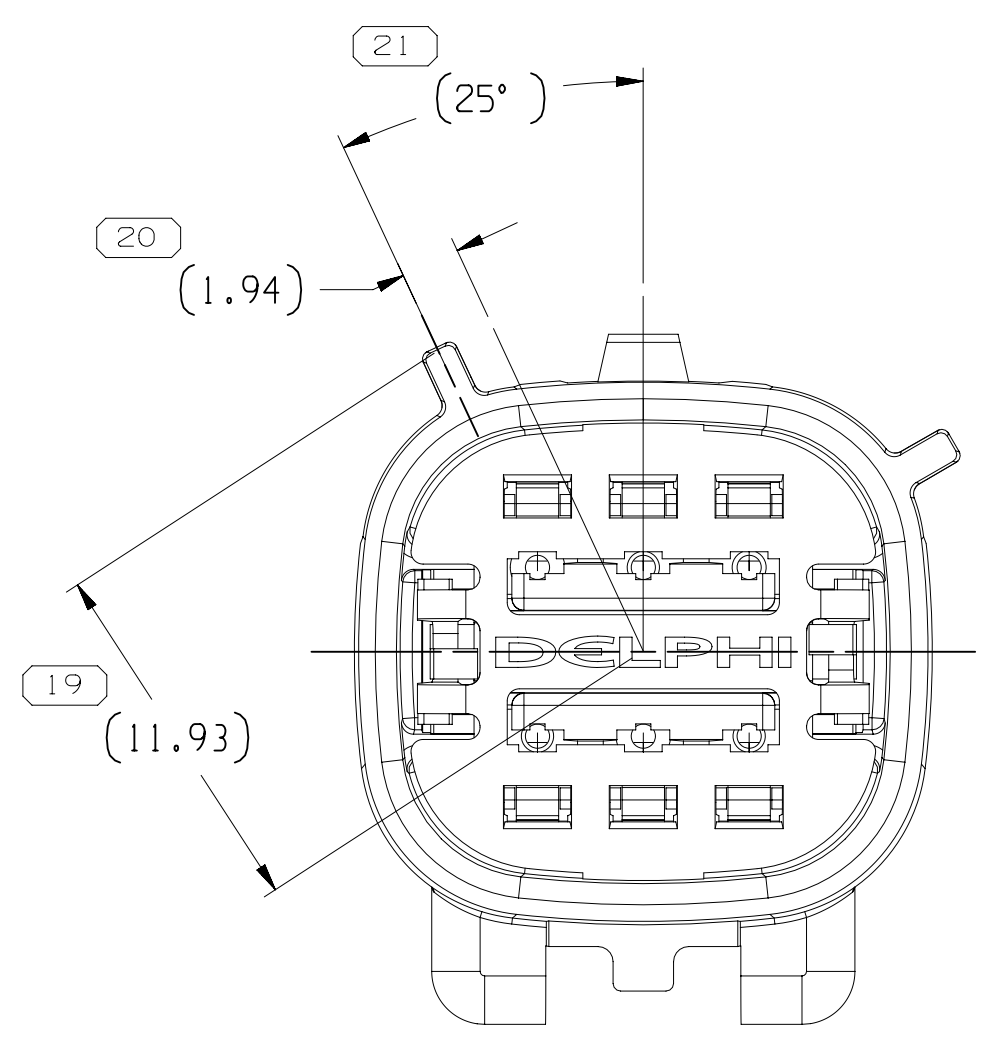
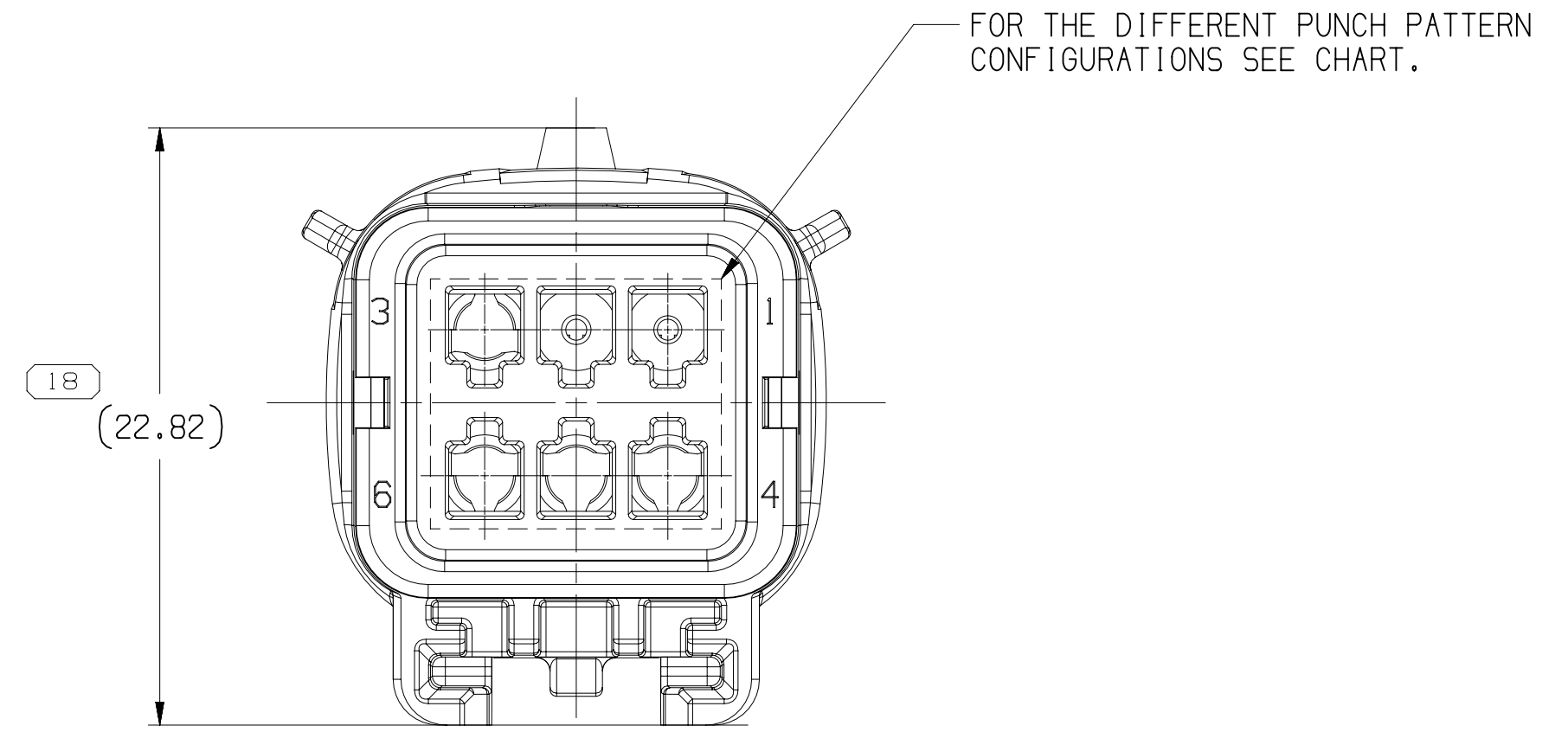
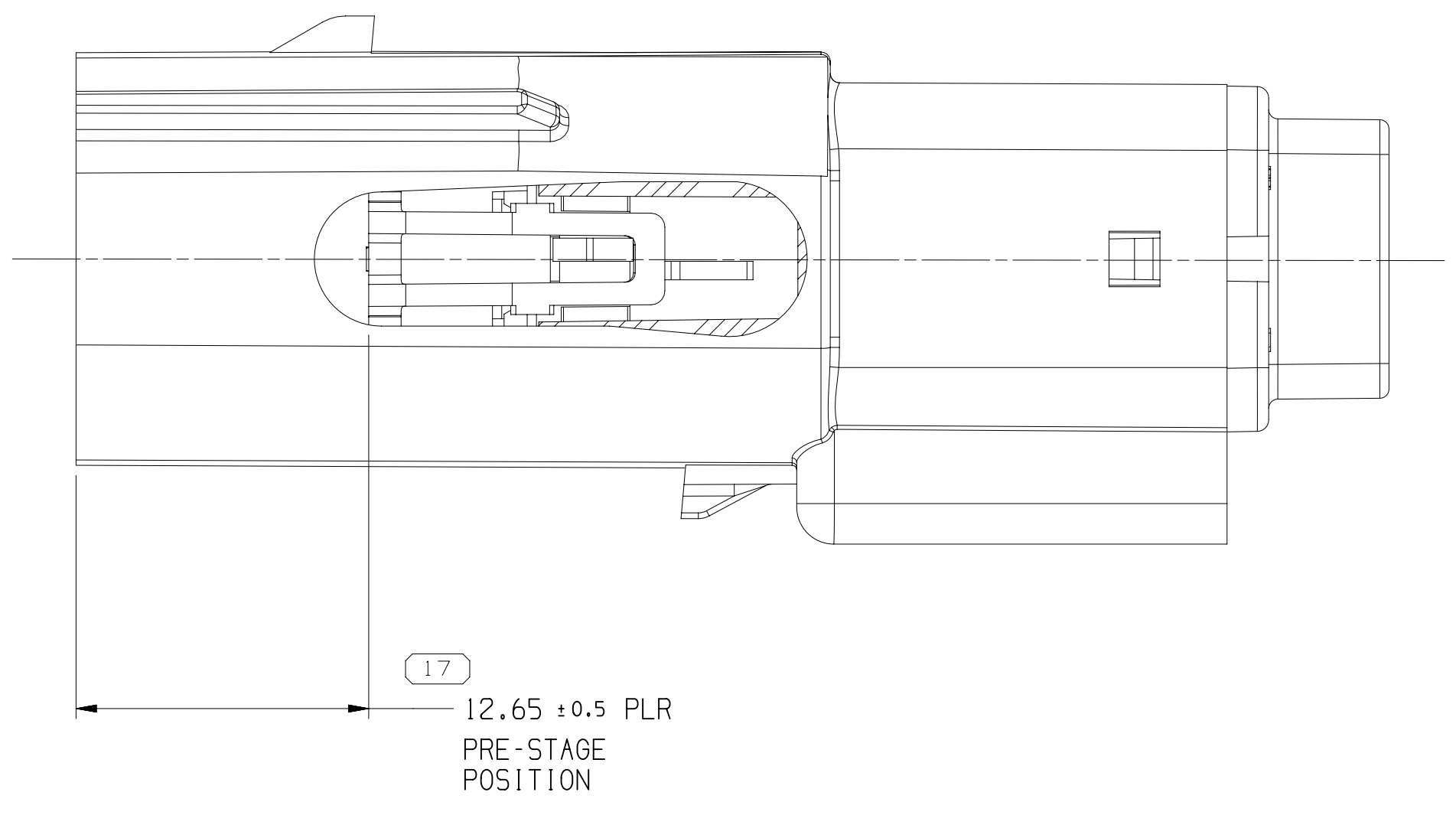


TYPE 201



TYPE 202
SAME AS TYPE 201
EXCEPT AS SHOWN

SYMBOL DEFINITION		TOTAL NO OF INSPECTIONS REQUIRED	
A DIMENSION WITHOUT AN INSPECTION REPORT SYMBOL DOES NOT REQUIRE INSPECTION. IT MAY BE CONTROLLED ON THE INDIVIDUAL COMPONENT DRAWING.		28	
	LAST NO. USED	21	

MISSING SYMBOLS		NO MISSING SYMBOL NUMBER	
DATE	STG	REV	N/P
13DE19	R	01	-
31JA20	R	02	-
20AU20	R	03	-
03NO20	R	04	-
09DE20	R	05	-
23JN21	R	06	-
27AU21	R	07	-
07OC21	R	08	-
06DE21	R	09	-
03JA22	R	10	-
04JA22	R	11	-
20JA22	R	12	-
04MR22	R	13	-
05AP22	R	14	-
03AU22	R	15	-

PART NO	REV	N/P	TYPE	MALE CONN	PLR	RETAINER	SEAL CBL	USCAR OPTION	BLOCKED CAVITIES	TOTAL OF BLOCKED CAVITIES
35635302	01	-	202	35117252	15513496	35411365	15513495	B	- - X X X X	4
35635301	01	AA	202	35117252	15513496	35617094	15513495	B	X - - - X -	2
35617173	01	AA	201	35117251	15513496	35617094	15513495	A	X - - - X -	2
35607629	01	AA	201	35117251	15513496	35607624	15513495	A	- X X - - -	2
35588972	01	-	201	35117251	15513496	35588971	15513495	A	- - X X - -	2
35588969	01	AA	201	35117251	15513496	35588968	15513495	A	- X - - - X	2
35572836	01	AA	201	35117251	15513496	35572835	15513495	A	- - - - X X	2
35511336	01	-	201	35117251	15513496	35511335	15513495	A	- - - - X X X	3
35506838	01	-	201	35117251	15513496	15513482	15513495	A	X X X X X X	6
35506837	01	-	201	35117251	15513496	35506836	15513495	A	- - X X - X	3
35481349	01	AA	201	35117251	15513496	35481348	15513495	A	- - X - - X	2
35410781	01	AB	201	35117251	15513496	35411365	15513495	A	- - X X X X	4
									I 2 3 4 5 6	

- NOTES
- UNLESS OTHERWISE SPECIFIED AND/OR INDICATED: DIMENSIONS ARE TO FACE OF VIEW SHOWN AND AUTOMATICALLY ROUNDED BY COMPUTER FOR INSPECTION (SEE MATH MODEL FOR PRECISE DIMENSIONS). FOR ALL OTHER DIMENSIONS NOT SHOWN BUT REQUIRED FOR TOOL BUILD, SEE MATH MODEL FOR PRECISE TOOL PATH DATA.
 - THIS PRODUCT IS NOT CATEGORIZED AS AN APPEARANCE ITEM, MINOR IMPERFECTIONS INCLUDING, BUT NOT LIMITED TO, FLOW MARKS, COLOR BLEMISHES, GATE VESTIGE, AND SOFT FLASH THAT DO NOT AFFECT THE FIT, FORM, OR FUNCTION OF THE PART ARE PERMISSIBLE PER EANP_4-3-CS_01-EN.
 - SEALING CODE 4 - DESIGN WILL MEET REQUIREMENTS OF SAE/USCAR-2 CONNECTOR SYSTEM ENVIRONMENTAL TEST FLOWCHART (PRESSURE/VACUUM AND SUBMERSTION).
 - FOR APPLICATION DATA SEE THE INDIVIDUAL APPLICATION DRAWINGS.
 - FOR ASSEMBLIES WITH 7MM CLIP SLOT SEE DRAWING 15513480.
 - FOR ASSEMBLIES WITHOUT CONFIGURATION CAVITY SEE SHEET 1.

A LINE DRAWN THROUGH A PART NUMBER INDICATES THAT PHYSICAL PARTS ARE NOT AVAILABLE FOR ORDERING.	
PART NUMBERS THAT DO NOT HAVE A LINE PRESENT INDICATE THAT PHYSICAL PARTS ARE AVAILABLE FOR ORDERING.	
CONTACT APTIV SALES TO ASSURE AVAILABILITY	
UNLESS OTHERWISE SPECIFIED THIS DOCUMENT IS IN ACCORDANCE WITH ASME Y14.5M-1994 AS MODIFIED BY THE 2003 SUPPLEMENT. DIMENSIONS AND TOLERANCES ARE IN MILLIMETERS UNLESS OTHERWISE SPECIFIED.	
ALL DIMENSIONS ARE IN MILLIMETERS	
REFERENCE	
THIRD ANGLE PROJECTION	DO NOT SCALE
USE MATH DATA	

APTIV
CONNECTION SYSTEMS
WARREN, OH
COPYRIGHT 2019 APTIV. ALL RIGHTS RESERVED.

THIS DRAWING IS THE PROPERTY OF APTIV AND CONTAINS APTIV CONFIDENTIAL INFORMATION. THE REPRODUCTION, DISTRIBUTION AND UTILIZATION OF THIS DOCUMENT OR ITS RELATED CAD DATA, AS WELL AS COMMUNICATION OF ANY CONTENT TO OTHERS, WITHOUT EXPRESS AUTHORIZATION, IS PROHIBITED.

APPROVED BY: J. GAMEZ (13DE19)
APPROVED BY: J.S. ALVARADO (13DE19)
APPROVED BY: JULIO ARMENDARIZ (13DE19)

MATERIAL: TAXI CONN 6 M OCS 1.5 SLD

DRAWING NUMBER: 35117263

SIZE: A0
SCALE: 4:1
FRAME NO: 1 OF 2
SHEET NO: 2 OF 2
STG: R
REV: 15

DIMENSIONAL RANGE (MM)	TOLERANCE	CHART	ET
FROM 0 TO >20	±0.25	20	1
>20 TO >30	±0.30	30	1
>30 TO >70	±0.40	70	1
>70 TO >100	±0.50	100	1
>100 TO >150	±0.63	150	1
>150 TO >200	±0.75	200	1
>200 TO >250	±0.90	250	1
>250 TO >300	±1.00	300	1
>300 TO >400	±1.20	400	1
TOLERANCE UNLESS OTHERWISE SPECIFIED			
ANGULAR TOLERANCE: ±2°			

User: P:\P... Date: 03-Aug-22 Time: 09:56:50