

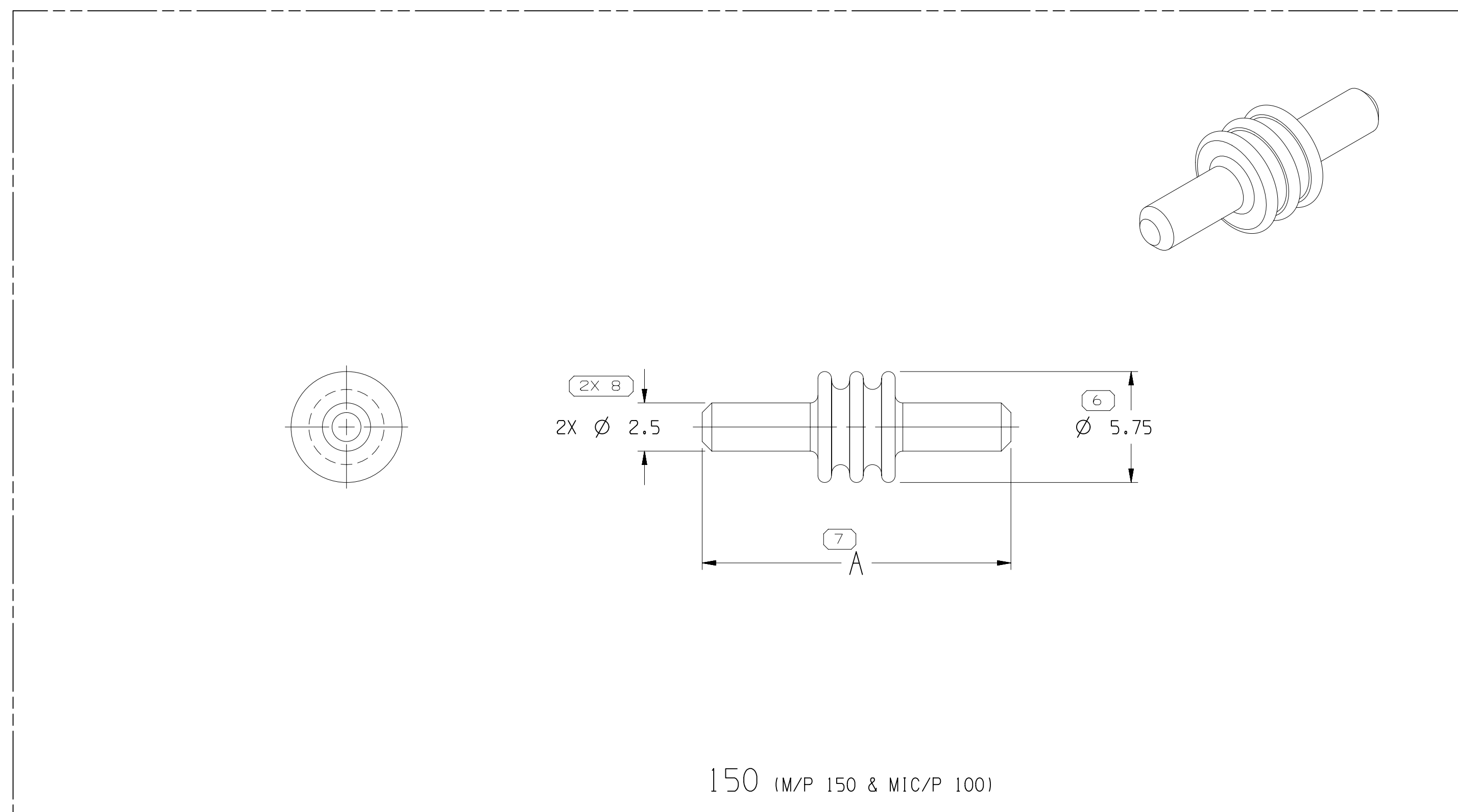
SYMBOL DEFINITION

A DIMENSION WITHOUT AN INSPECTION REPORT SYMBOL () DOES NOT REQUIRE INSPECTION. IT MAY BE CONTROLLED ON THE INDIVIDUAL COMPONENT DRAWING.

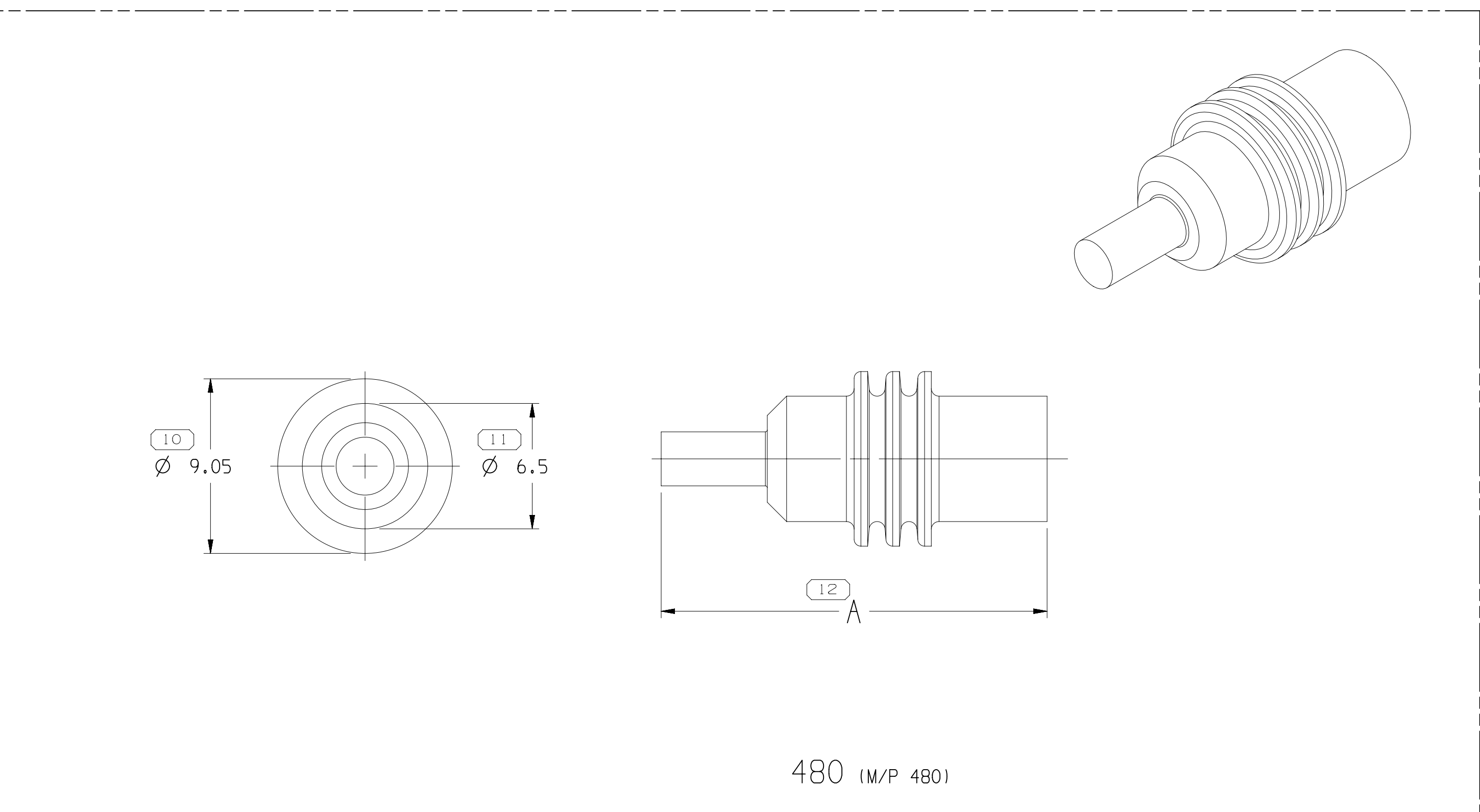
TOTAL NO OF INSPECTIONS REQUIRED 15

LAST NO. USED 15

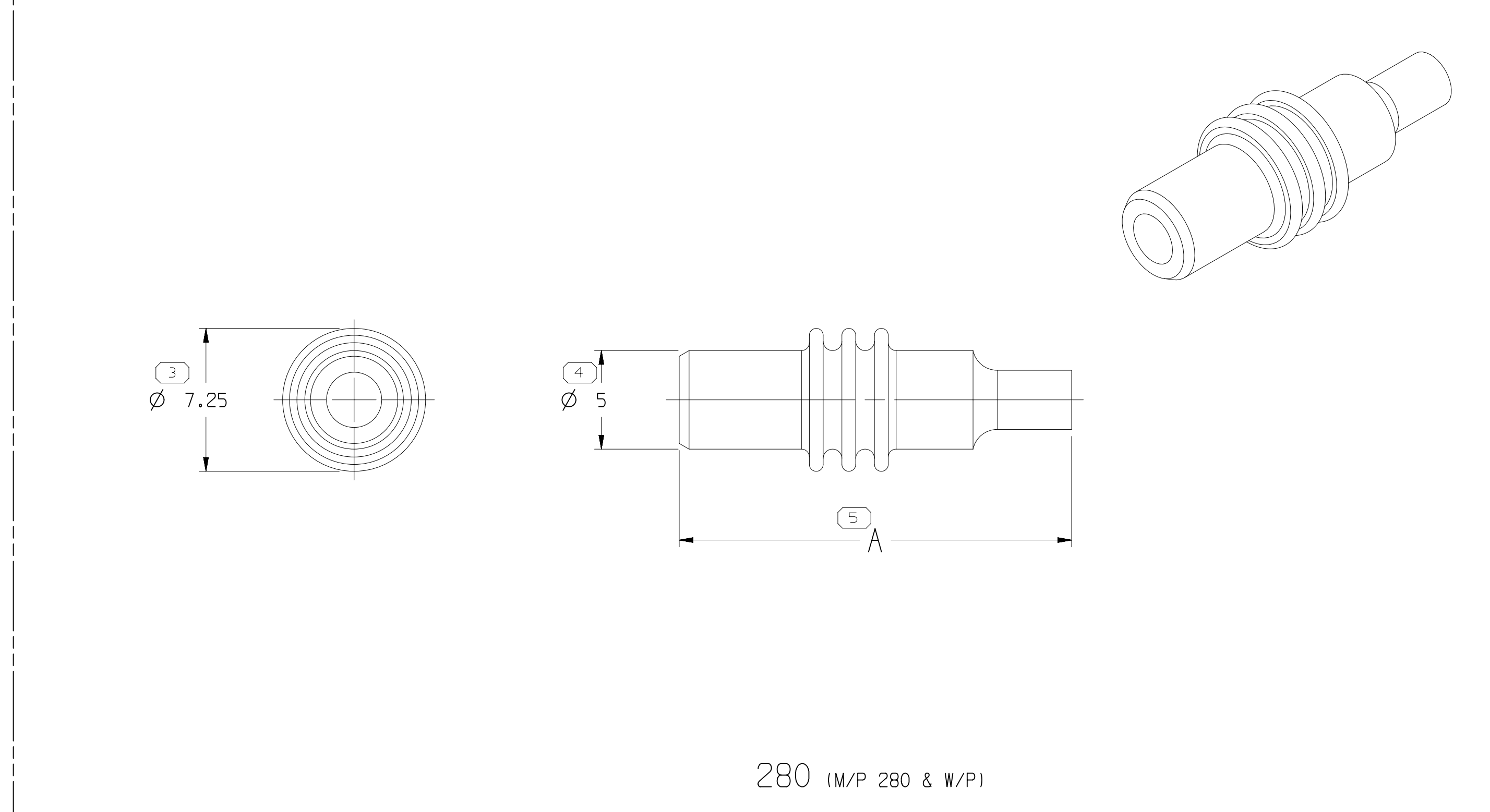
DWG STATUS	DATE	STG	REV	N/P	CHG	ZONE	REVISION HISTORY	AUTH	DR	APVD	APVD 2
1-2	27FE04	R	02	-	-	-	REVISED PD	252119	MJM	MJM	MR
	07SE04	R	03	-	-	-	12010300 - REVISED PER NIN EWO BGLTS ALL PARTS - REVISED TO	252892	MJM	MJM	MPR
	120C04	R	04	-	-	-	12059168, 12059255 & 12066082 - REVISED NON PHYSICAL ECL TO AGREE WITH IMSTR0318	259625	RTV	JVM	MPR
	03SE07	R	05	-	-	-	ALL PARTS - REMOVED OPTIONAL CONSTRUCTIONS VIEWS & CONSTRUCTION LINE ALLOWABLE VIEWS; ADDED SEALING RIB NOTE, SEALING RIBS VIEWS, COLUMN "A" AND DIMS (2 PLCS)	402207	JBD	JVM	MPR
	29SE08	R	06	-	-	-	13713913 - RELEASED	406277	RRR	AGN	RRR
	15JA09	R	07	-	-	-	13750421 - RELEASED	407099	JBD	AUG	MPR
	18MY09	R	08	-	-	-	13713913 - OBSOLETE	407723	RRR	JVM	RRR
	03JA11	R	09	-	-	-	12059168 - ADDED ALTERNATE MATERIAL SPEC	412958	MAL	MAL	HAD
	28JL17	R	10	-	-	-	35094687 - RELEASED	437361	JVM	JVM	CFH
	03JA18	R	11	-	-	-	35094687 - REMOVED PART AVAILABILITY LINE & ADDED PART NUMBER TO NOTE 5.	438701	CFH	CFH	CFH
	04JA18	R	12	-	-	-	35094687 - ADDED NOTE ON CHART	438708	CFH	CFH	CFH
	22JA18	R	13	-	-	-	ADDED CHART REPLACED BY 12066082 - WILL BE REPLACED BY 35094687	438756	CFH	CFH	CFH
	15FE18	R	14	-	-	-	12066082 - OBSOLETE; 12059255 - UPDATED PDM ATTRIBUTES	439057	LXA	JVM	CFH
	29JA18	R	15	-	-	-	35232480 - RELEASED	440295	CGD	CGD	CEL
	14JA19	R	16	-	-	-	35094687-OBSOLETE AND ADDED "REPLACED BY" INFO; 12066082-UPDATED "REPLACED BY" INFO (NO REV UPDATE REQ'D)	442075	JLL	JAA	CFH
	26JL19	R	17	-	-	-	35241578 - RELEASED	444084	MH	SNS	KST



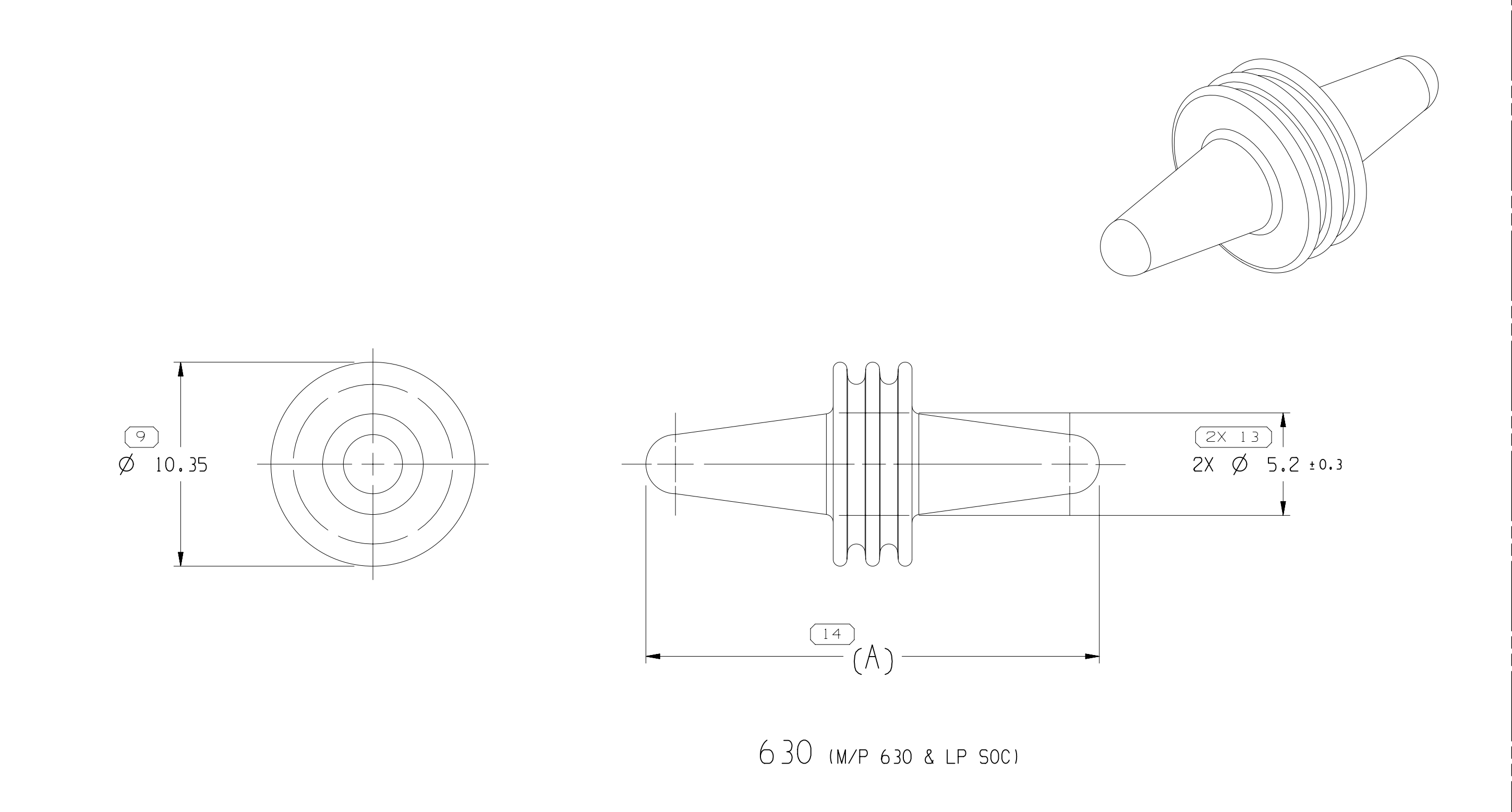
150 (M/P 150 & MIC/P 100)



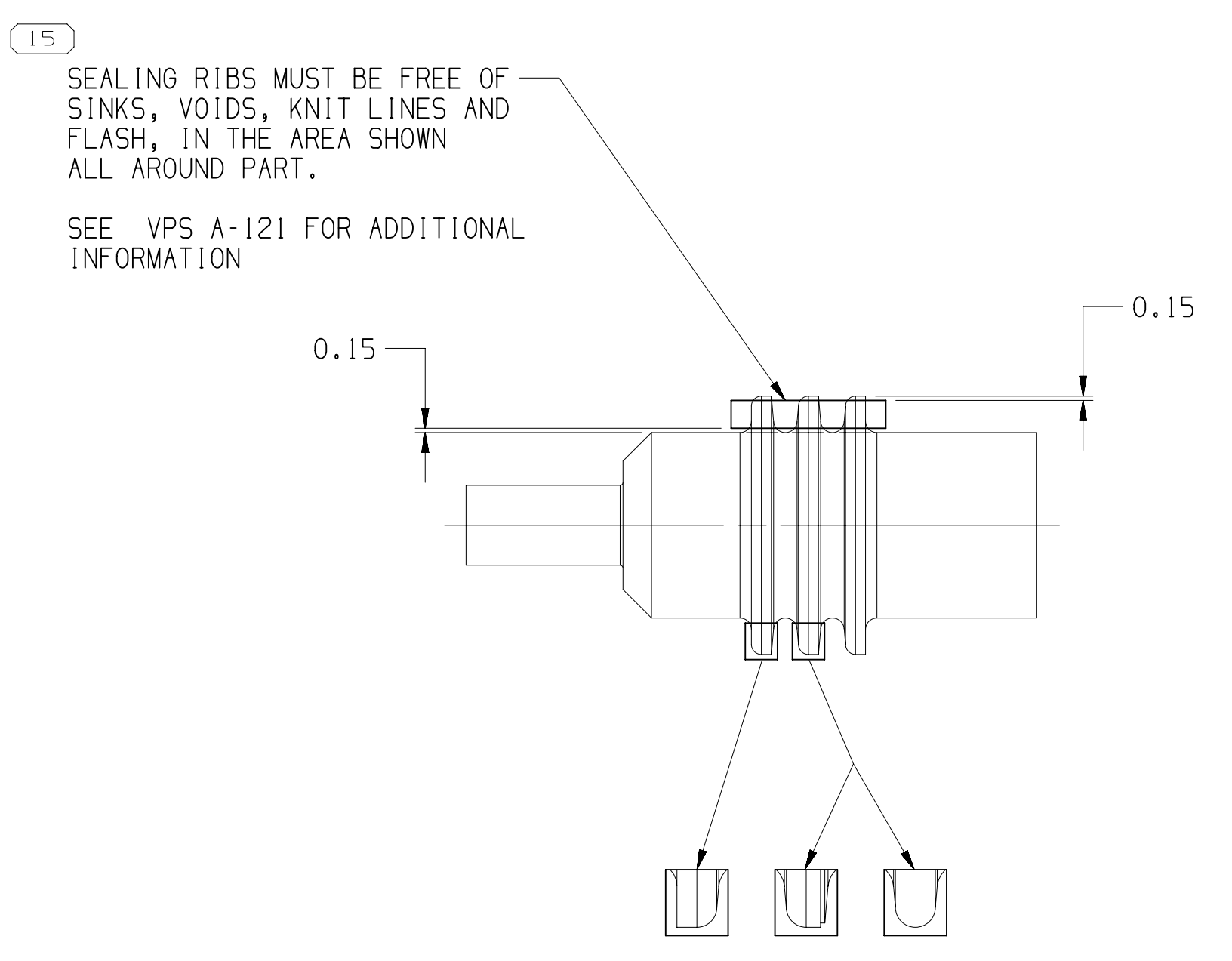
480 (M/P 480)



280 (M/P 280 & W/P)



630 (M/P 630 & LP 500)



SEALING RIBS MAY DIFFER AS SHOWN

- NOTES
- UNLESS OTHERWISE SPECIFIED AND/OR INDICATED:
 - DIMENSIONS ARE TO FACE OF VIEW SHOWN AND AUTOMATICALLY ROUNDED BY COMPUTER FOR INSPECTION (SEE MATH MODEL FOR PRECISE DIMENSIONS). FOR ALL OTHER DIMENSIONS NOT SHOWN BUT REQUIRED FOR TOOL BUILD, SEE MATH MODEL FOR PRECISE TOOL PATH DATA.
 - SEALING RIBS ARE IDENTICAL, EXCEPT AS SHOWN.
 - THIS PART IS NOT CONTROLLED FOR AUTOMATIC FEEDING.
 - THIS PRODUCT IS NOT CATEGORIZED AS AN APPEARANCE ITEM, MINOR IMPERFECTIONS INCLUDING, BUT NOT LIMITED TO, FLOW MARKS, COLOR BLEMISHES, GATE VESTIGE, AND SOFT FLASH THAT DO NOT AFFECT THE FIT, FORM, OR FUNCTION OF THE PART ARE PERMISSIBLE PER EANP-4-3-CS-01-EN.
 - P/N 13713913 & 35094687 MUST BE POST-BAKED FOR 4 HOURS AT 400° F.

PART NO	REV	N/P	MATERIAL SPEC	COLOR (REF ONLY)	ALTERNATE MATERIAL SPEC	TYPE	ID CAVITY	VOLUME	NOTES	REPLACED BY
35241578	01	-	SILICONE METHYL/VINYL BLUE	BLU	-	150	16 ±0.3	5.2	0.135	-
35232480	01	-	SILICONE METHYL/VINYL GRAY	GRA	-	480	20 +0.45/-0.3	8.5	0.510	-
35094687	01	AC	SILICONE METHYL/VINYL GREEN	GRN	-	480	20 +0.45/-0.3	8.5	0.510	SEE NOTE 5
13750421	01	-	SILICONE METHYL/VINYL BLUE	BLU	-	280	19.9 ±0.4	6.7	0.311	-
13713913	01	AA	SILICONE METHYL/VINYL GREEN	GRN	-	150	16 ±0.3	5.2	0.135	-
12066082	B9	-	SILICONE METHYL/VINYL GREEN	GRN	-	480	20 +0.45/-0.3	8.5	0.510	SEE NOTE 5
12059255	A8	-	SILICONE METHYL/VINYL GREEN	GRN	M3469037	630	(23)	9.8	0.507	35232480
12059168	A9	-	SILICONE METHYL/VINYL RED	RED DK	M2261001	150	16 ±0.3	5.2	0.135	-
12010300	08	AA	SILICONE METHYL/VINYL GREEN	GRN	-	280	19.9 ±0.4	6.7	0.311	-

DIMENSIONAL RANGE (MM)	CHART	ET
FROM > 0	> 20	> 30
TO 20	30	70
	70	100
	100	150
	150	200
	200	250
	250	300
	300	400

THIRD ANGLE PROJECTION	DO NOT SCALE	USE MATH DATA

APTIV
CONNECTION SYSTEMS
WARREN, OH
COPYRIGHT 1997 APTIV. ALL RIGHTS RESERVED.

THIS DRAWING IS THE PROPERTY OF APTIV AND CONTAINS APTIV CONFIDENTIAL INFORMATION. THE REPRODUCTION, DISTRIBUTION AND UTILIZATION OF THIS DOCUMENT OR ITS RELATED CAD DATA, AS WELL AS COMMUNICATION OF ANY CONTENT TO OTHERS, WITHOUT EXPRESS AUTHORIZATION, IS PROHIBITED.

DRAWING NUMBER: TAXI SEAL CBL IW CAVITY PLUG

DRAWING NO: 12124630

SIZE: A0
SCALE: 5:1
FRAME NO: 1 OF 1
SHEET NO: 1 OF 1
STG: R
REV: 17