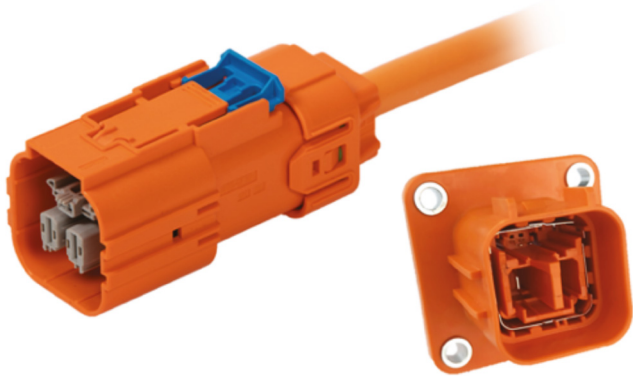


SHIELDPACK™

HV AK CLASS 2 SMU 2 WAY



AVAILABLE CONFIGURATIONS

Connector Type	Wire-to-device
Cable Exit Orientation	180°
Cable Range (mm²)	4 - 6
Terminal Type	6.3 mm Blade Contact
# of Cavities	2
Shielding	Multicore
HVIL	Shunt
Assembly Assurance	CPA
# of Code Indexes	2



APPLICATIONS

Air Conditioning
PTC Heater
On-board charger (OBC)
DC/DC

See back page for representative part numbers and packaging dimensions.

BENEFITS

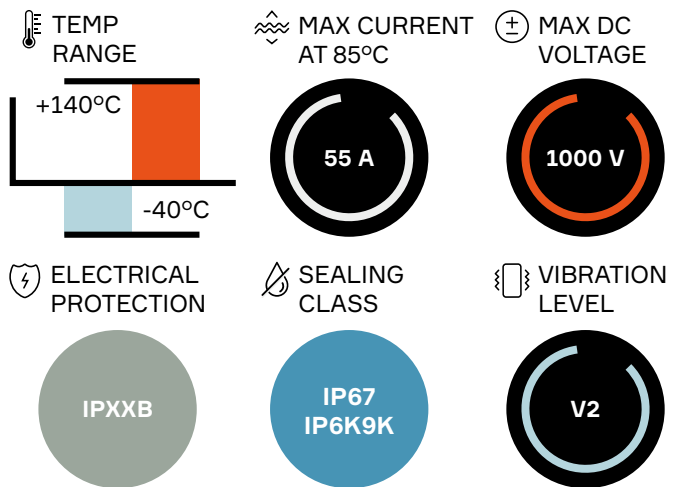
- High operating temperature
- High robustness against vibrations
- Standard AK interface
- No mechanical assist required thanks to low insertion force

FEATURES

- For applications with needs up to 55A
- Compliant to LV214 / LV215
- Tool-less mating & un-mating system
- Patented squeezing fixture for enhanced anti-vibration performance



PERFORMANCE



About Aptiv

Aptiv is a global technology company that develops safer, greener and more connected solutions enabling the future of mobility.

Visit [aptiv.com](https://www.aptiv.com) →



Index	Header Connector	Mating Connector	BOM
A	35116365	35230076	1
B	35169586	35230077	

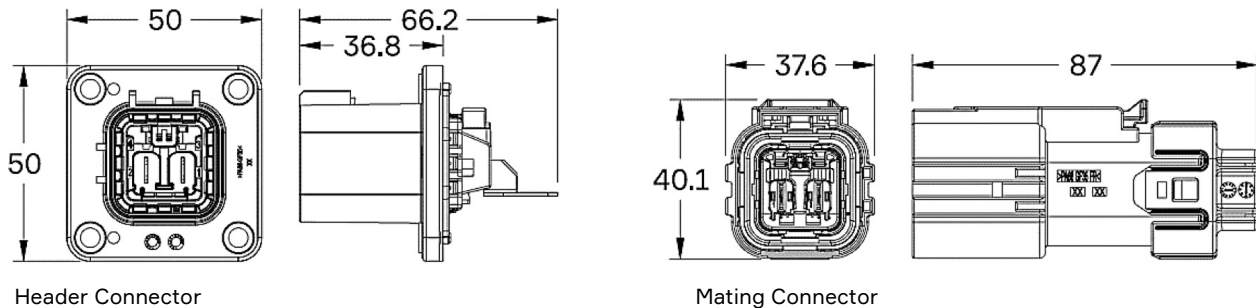
Additional codes are offered on demand. Contact an Aptiv representative for details.
Header connector can be customized for outlet and assembled HVIL harness. Contact Aptiv engineering for details.

ASSOCIATED PARTS

Part number	Description	BOM
Header connector		
13952636*	1.2 Male Terminal 0.5 - 0.75 mm ²	2
Mating connector		
2 × 4 mm ² Cable	2 × 6 mm ² Cable	
13984302 Ag plated	13984307 Ag plated	CTS 6.3 Female Terminal
13976101 Sn plated	13976102 Sn plated	
35196906	HVIL Shunt Harness	1
35174280	35200703	Inner Ferrule
35200704	35200705	Outer Ferrule
35200706	35200707	EMC Shield
35230073	Inner Housing	1
35200700	35200701	Cable Seal
35230068	35230069	Cable Strain Relief

* Non Aptiv terminal, please consult us.

DIMENSION MEASUREMENT SAMPLE



Part numbers, specifications, dimensions and performance data in this document are for general references only and are subject to change without notice. To verify product information, please contact an Aptiv representative.

CS-SP143-HV-En0423