
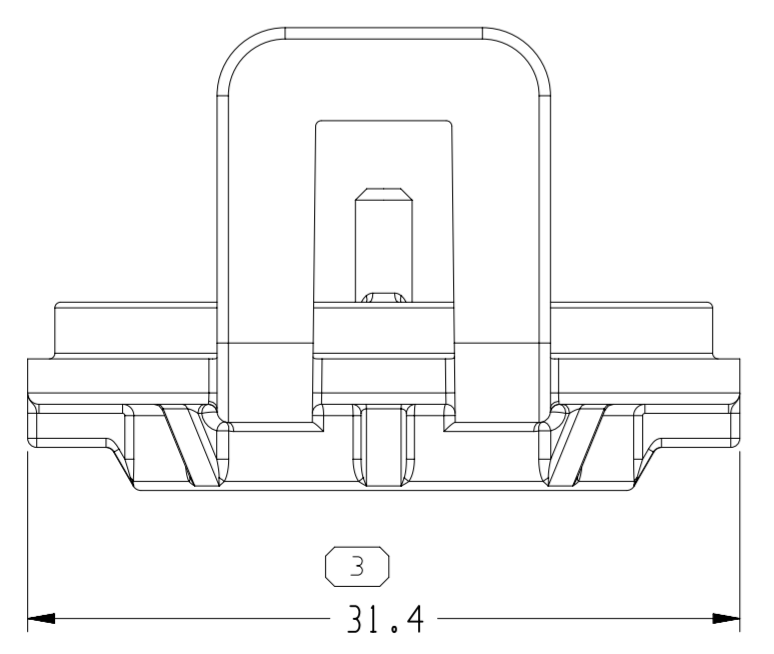
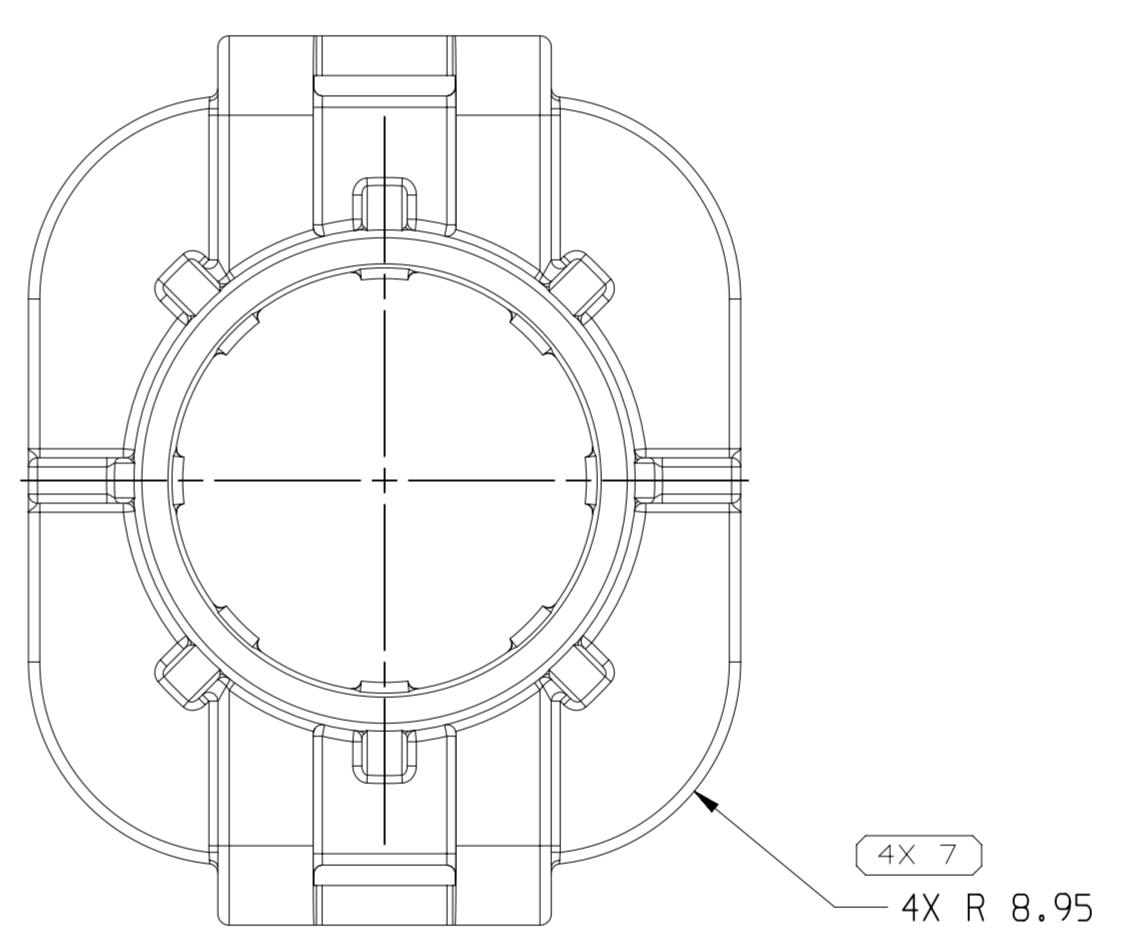
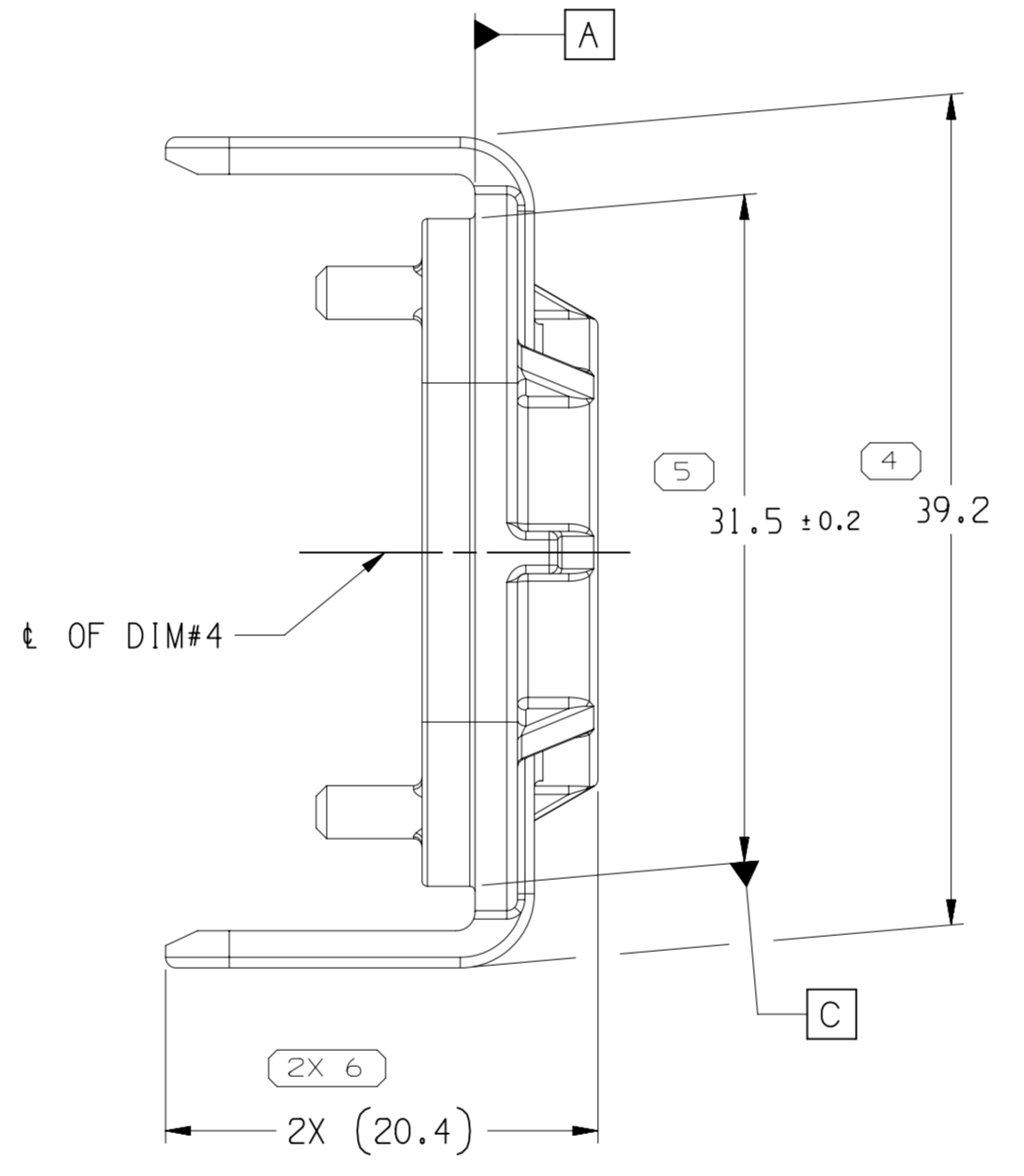
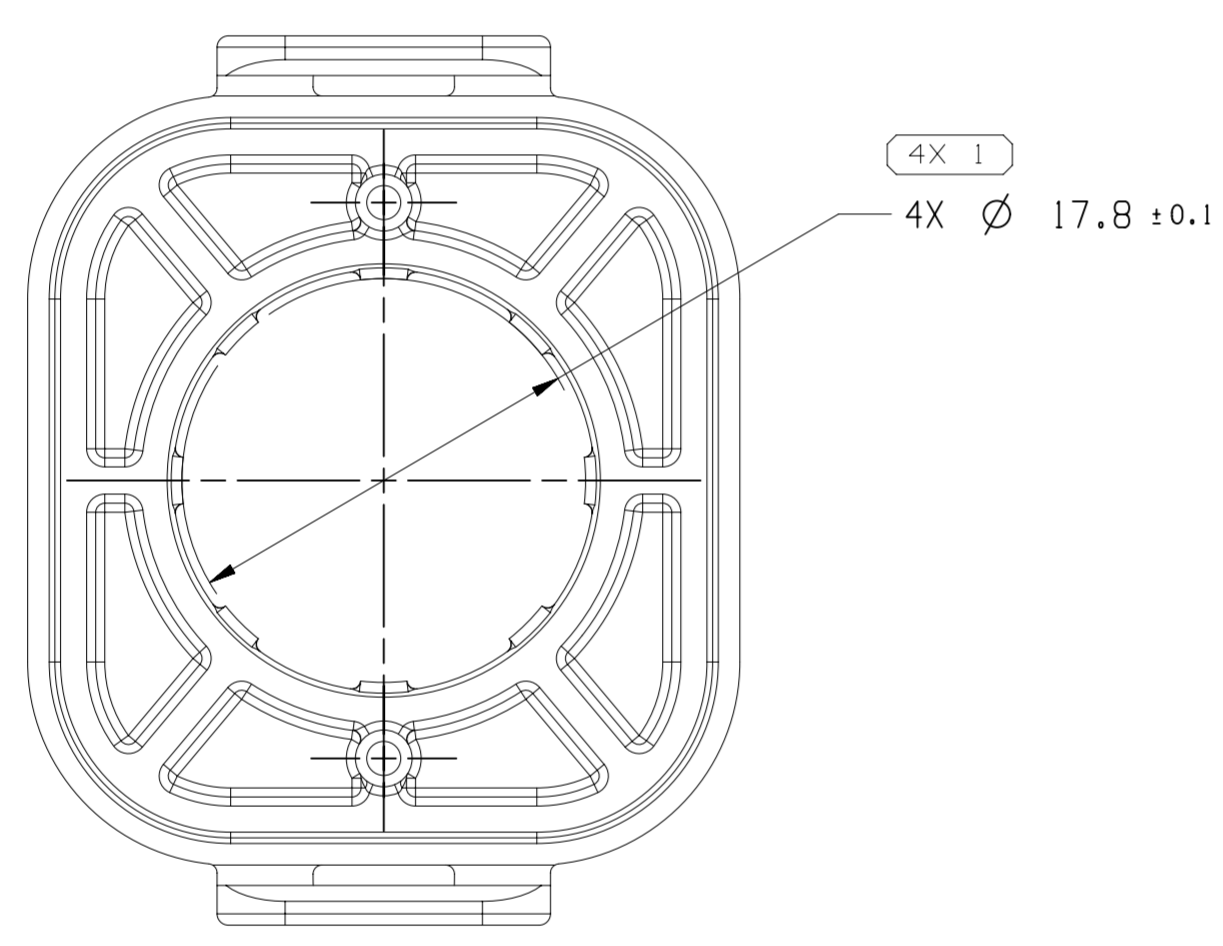
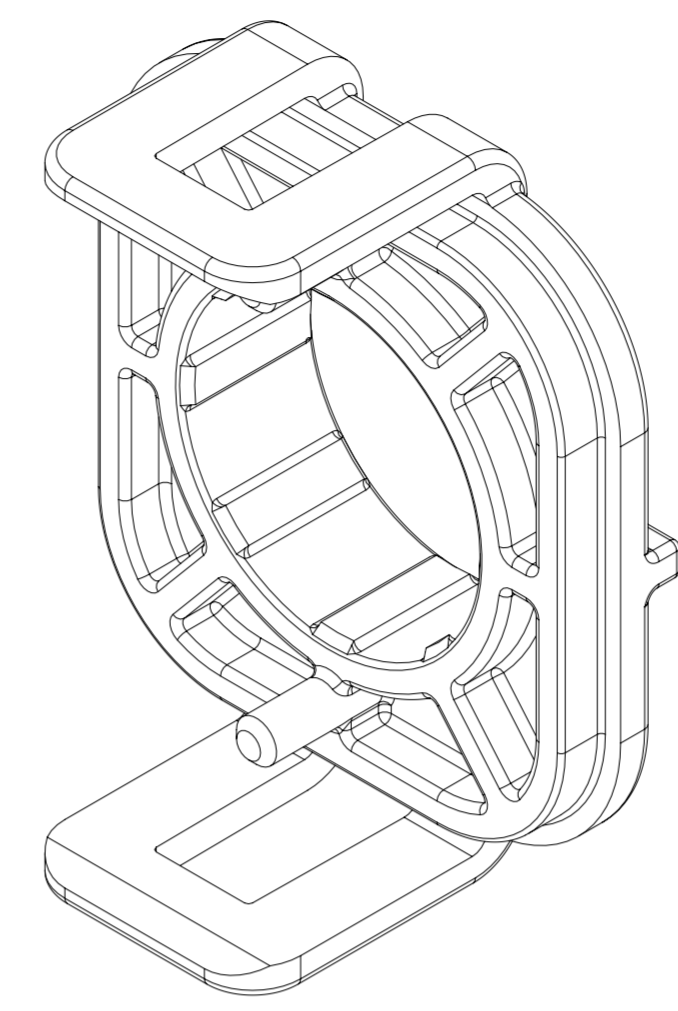
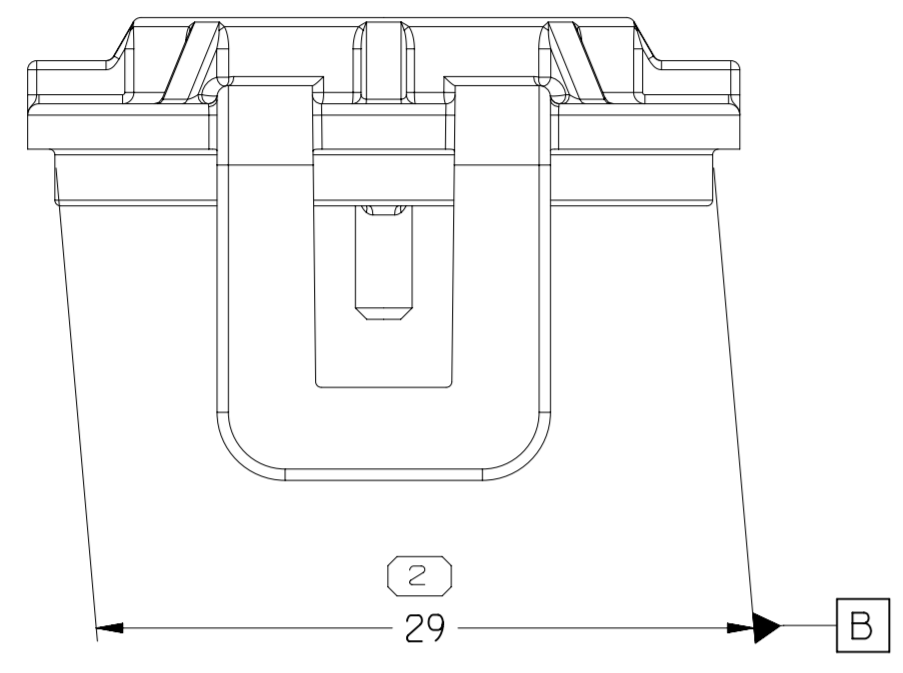


SYMBOL DEFINITION		TOTAL NO OF INSPECTIONS REQUIRED	
A DIMENSION WITHOUT AN INSPECTION REPORT SYMBOL  DOES NOT REQUIRE INSPECTION. IT MAY BE CONTROLLED ON THE INDIVIDUAL COMPONENT DRAWING.		14	
	LAST NO. USED	7	

MISSING SYMBOLS				NO MISSING SYMBOL NUMBER		DWG STATUS			REVISION HISTORY			AUTH			
DATE	STG	REV	N/P	CHG	ZONE	DATE	STG	REV	N/P	CHG	ZONE	AUTH	DR	APVD	
03FE23	R	01	-	-								559538	SDC	DL	TM
08SE23	R	02	-	-								561754	JGO	JAA	TM



- NOTES**
- UNLESS OTHERWISE SPECIFIED AND/OR INDICATED:  
DIMENSIONS ARE TO FACE OF VIEW SHOWN AND AUTOMATICALLY ROUNDED BY COMPUTER FOR INSPECTION (SEE MATH MODEL FOR PRECISE DIMENSIONS). FOR ALL OTHER DIMENSIONS NOT SHOWN BUT REQUIRED FOR TOOL BUILD, SEE MATH MODEL FOR PRECISE TOOL PATH DATA.
  - PARTS SHOWN ON THIS DRAWING USED IN ASSEMBLIES SHOWN ON TAXI 35688763 AND 35688764.
  - THIS PRODUCT IS NOT CATEGORIZED AS AN APPEARANCE ITEM, MINOR IMPERFECTIONS INCLUDING, BUT NOT LIMITED TO, FLOW MARKS, COLOR BLEMISHES, GATE VESTIGE, AND SOFT FLASH THAT DO NOT AFFECT THE FIT, FORM, OR FUNCTION OF THE PART ARE PERMISSIBLE PER EANP-4-3-CS-01-EN.

A LINE DRAWN THROUGH A PART NUMBER INDICATES THAT PHYSICAL PARTS ARE NOT AVAILABLE FOR ORDERING.	
PART NUMBERS THAT DO NOT HAVE A LINE PRESENT INDICATE THAT PHYSICAL PARTS ARE AVAILABLE FOR ORDERING.	
CONTACT APTIV SALES TO ASSURE AVAILABILITY OF PARTS.	
DWG TYPE: PART DRAWING	
STYLE	
VOLUME (CM <sup>3</sup> ): SEE CHART	DISTR CODE: D
UNLESS OTHERWISE SPECIFIED THIS DOCUMENT IS IN ACCORDANCE WITH ASME Y14.5-2009. SEE APTIV ENGINEERING DESIGN STANDARD B6 2017 FOR ISO 1101:2004 RECONCILIATION REQUIREMENTS.	
ALL DIMENSIONS ARE IN MILLIMETERS	
THIRD ANGLE PROJECTION	
DO NOT SCALE USE MATH DATA	

**• APTIV •**  
CONNECTION SYSTEMS  
Chennai, India  
COPYRIGHT 2023 APTIV. ALL RIGHTS RESERVED.

THIS DRAWING IS THE PROPERTY OF APTIV AND CONTAINS APTIV CONFIDENTIAL INFORMATION. THE REPRODUCTION, DISTRIBUTION AND UTILIZATION OF THIS DOCUMENT OR ITS RELATED CAD MATH DATA, AS WELL AS COMMUNICATION OF ANY CONTENT TO OTHERS, WITHOUT EXPRESS AUTHORIZATION, IS PROHIBITED.

DR	DATE
APVD1: S.DINESH	03FE23
APVD2: L.DAYALAN	03FE23
APVD3: T.MORGAN	03FE23
APVD4	
APVD5	

SUBSTANCES OF CONCERN AND RECYCLED CONTENT 10949001 10949001

MATERIAL: SEE CHART

DRAWING NAME: TAXI LOCK RETAINER SEAL 1

DRAWING NUMBER: 35688757

SIZE: A1	SCALE: 3:1	FRAME NO: 1 OF 1	SHEET NO: 1 OF 1	STG: R	REV: 02	N/P: -
----------	------------	------------------	------------------	--------	---------	--------

35688697	01	AA	TBD	POLYESTER COMPOUND GRAY	70 ISO	3.647
PART NO	REV	N/P	TYPE	MATERIAL SPECIFICATION AND COLOR	CABLE SIZE (MM <sup>2</sup> )	VOLUME (CM <sup>3</sup> )

DIMENSIONAL RANGE (MM)		CHART: E1	
FROM	TO	FROM	TO
> 0	> 20	> 70	> 100
20	30	100	150
	70	150	200
		200	250
		250	300
		300	400
TOLERANCE UNLESS OTHERWISE SPECIFIED			
±0.15	±0.2	±0.3	±0.4
		±0.5	±0.6
		±0.8	±1
			±1.2
ANGULAR TOLERANCE: ±2°			

Sheet: 35688757-CUS01-S01/02 Date: 12-Sep-23 Time: 11:11:32