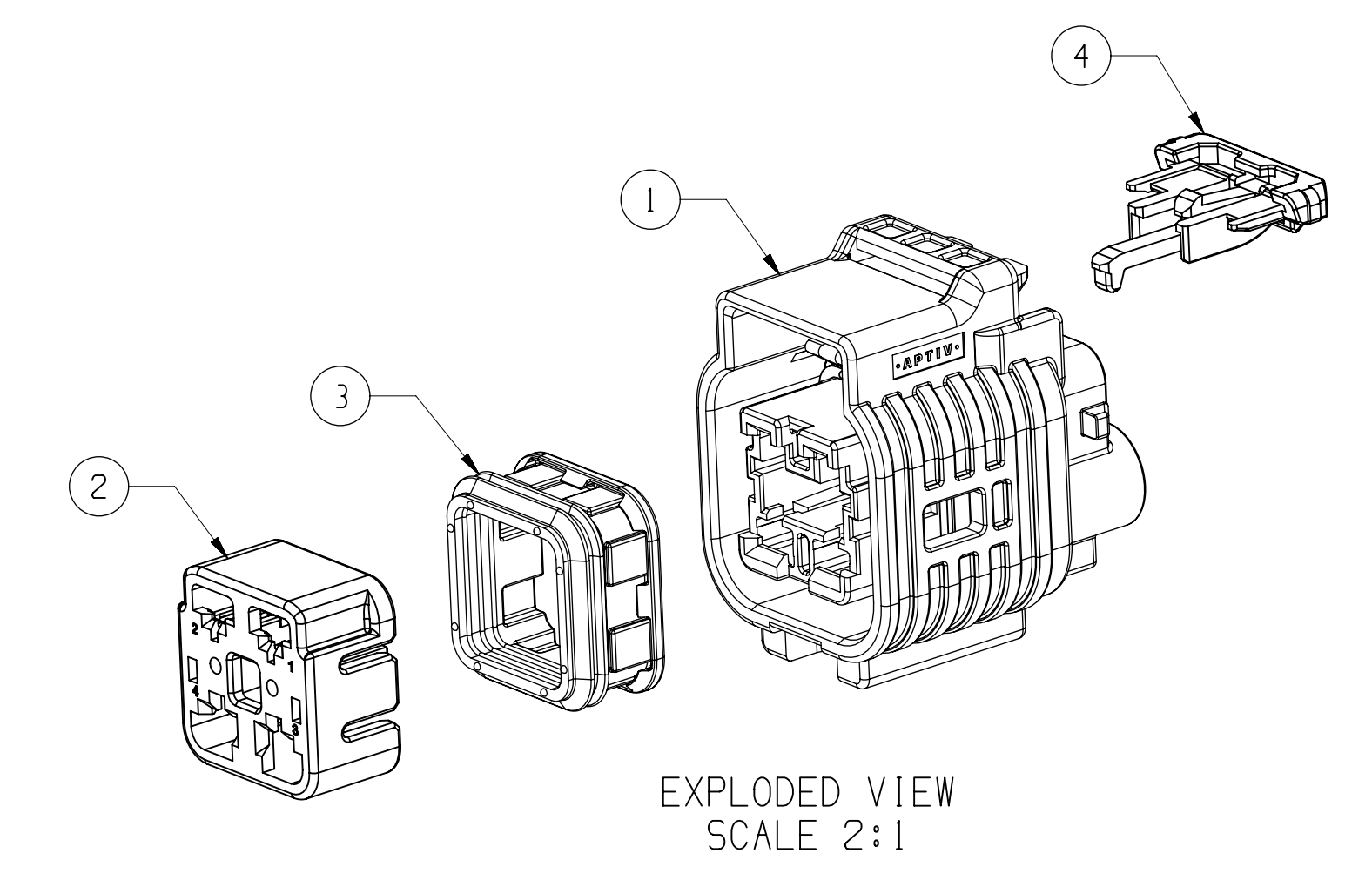
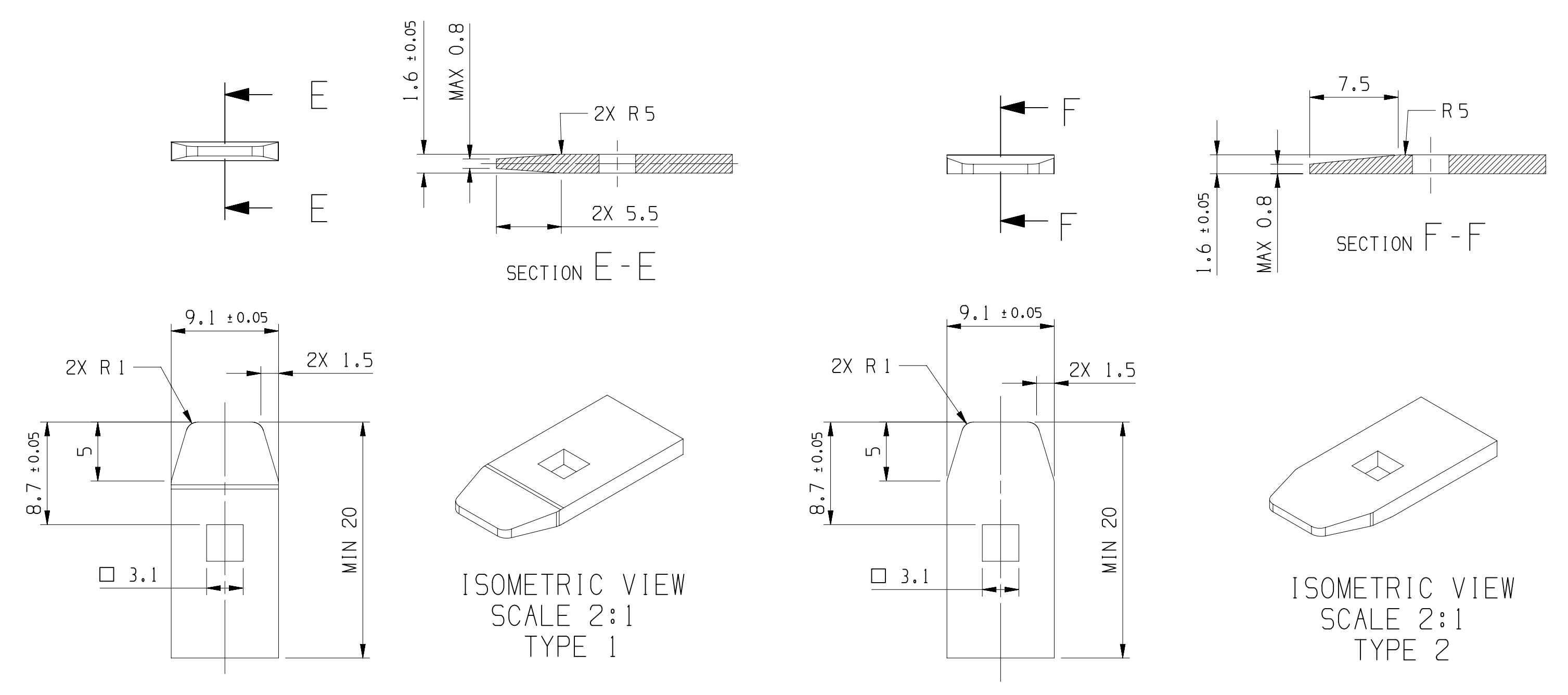
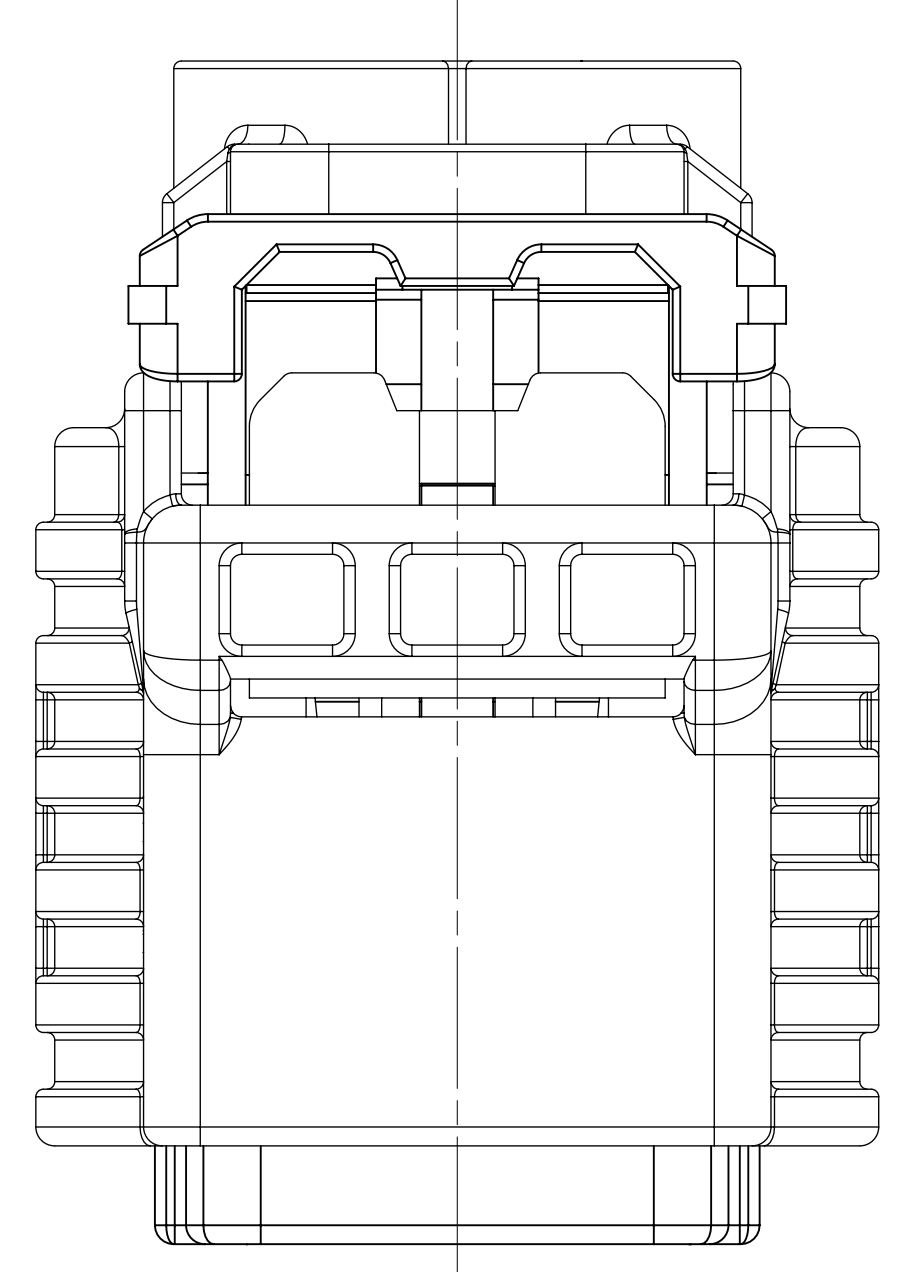
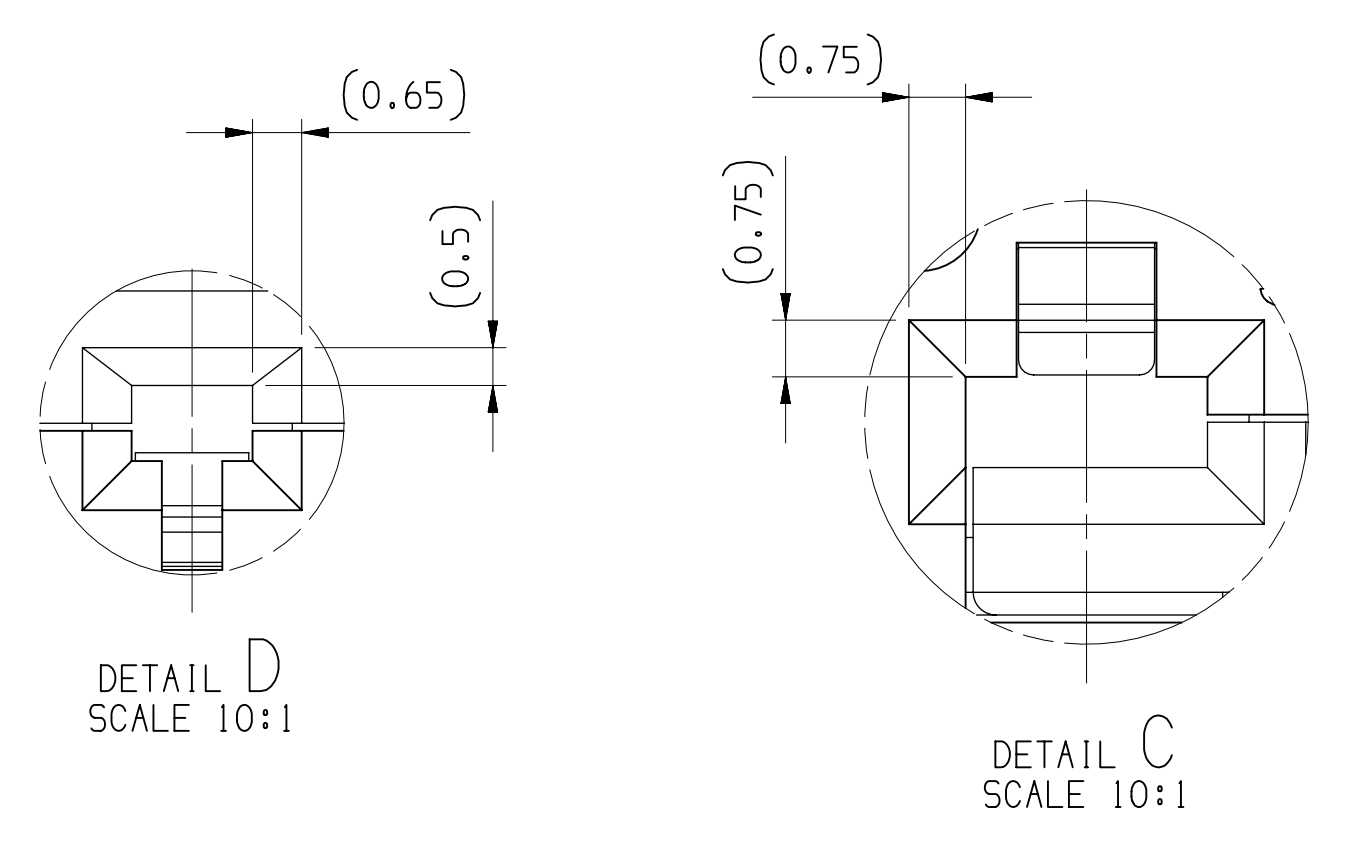


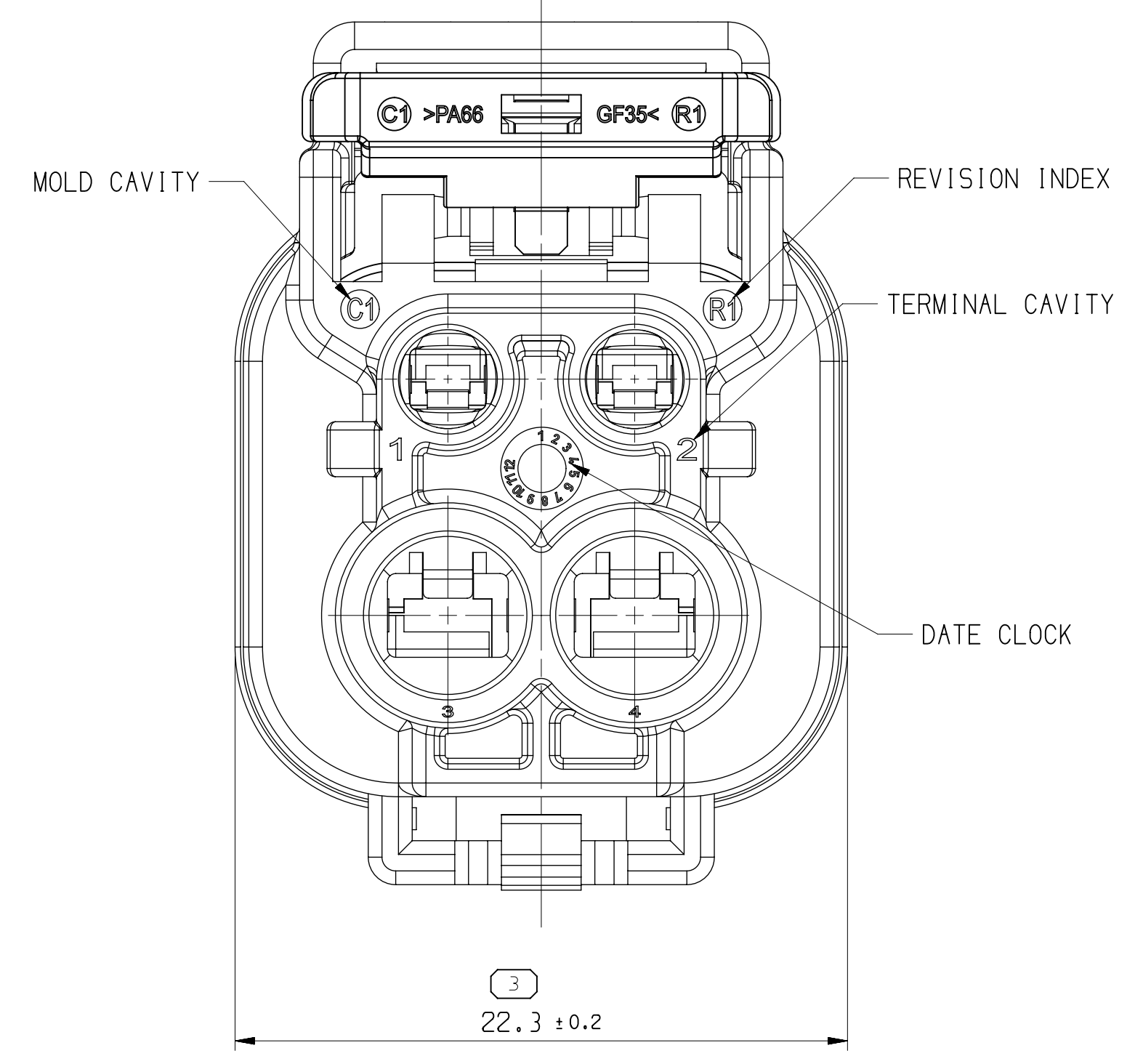
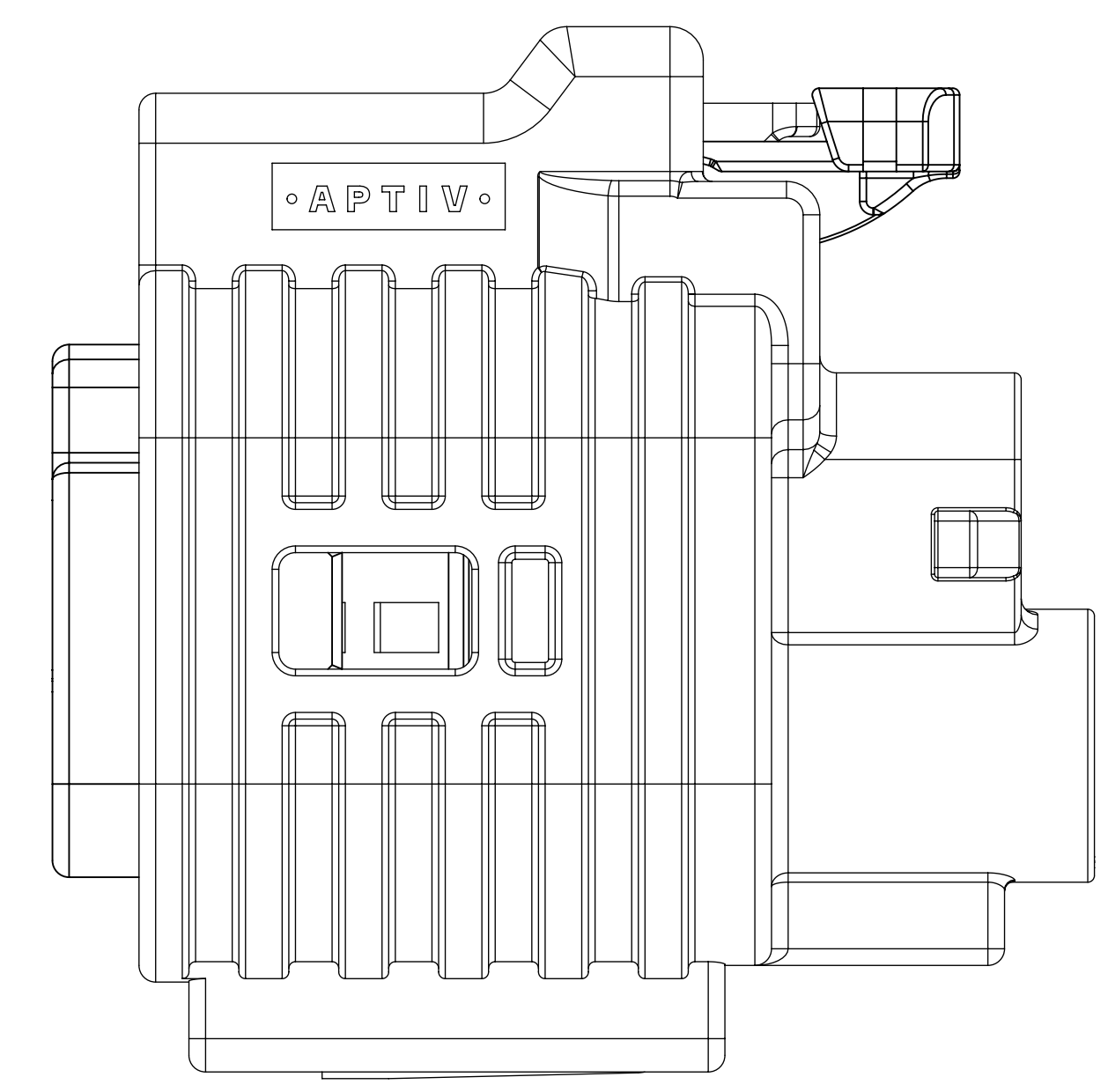
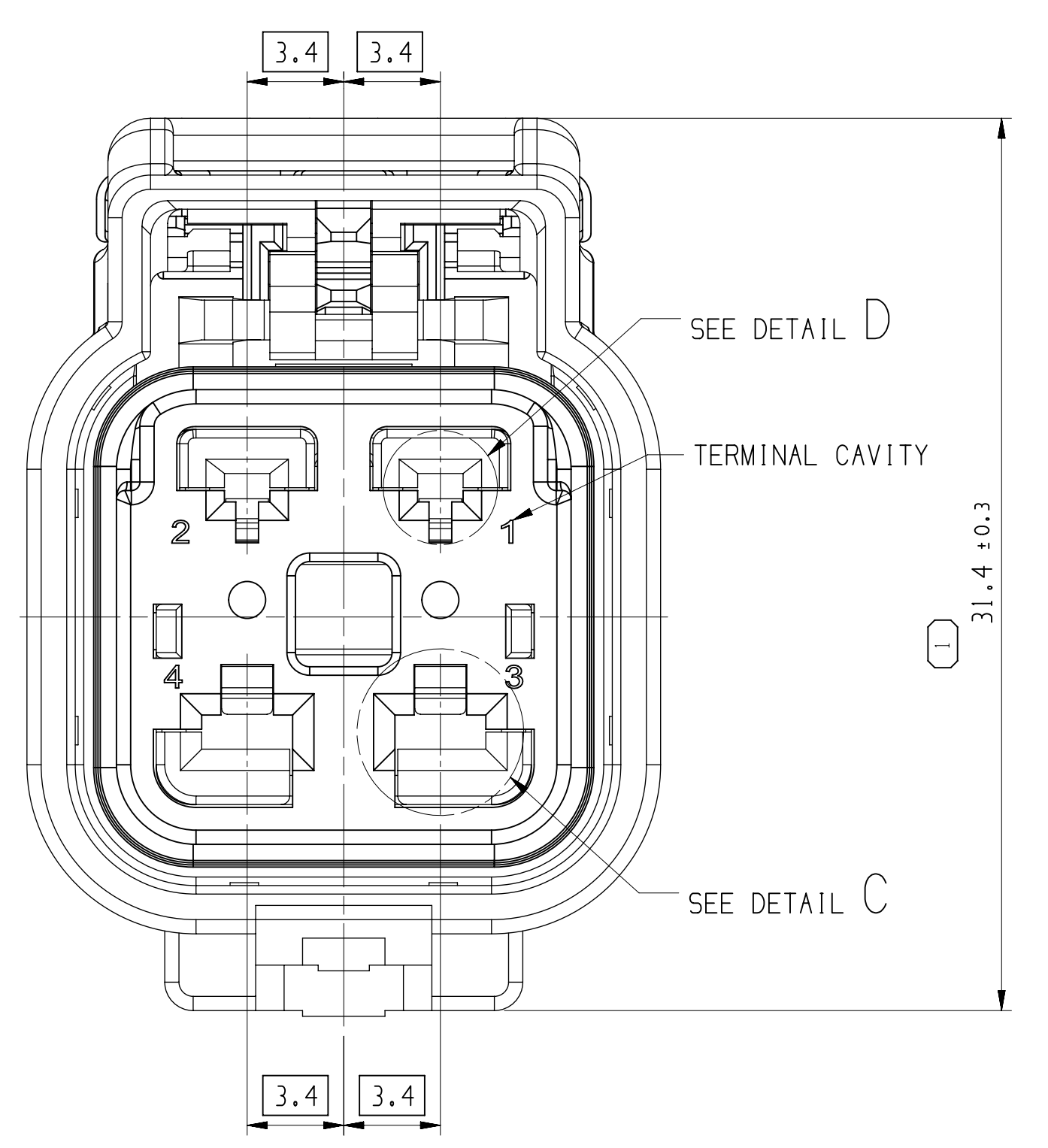
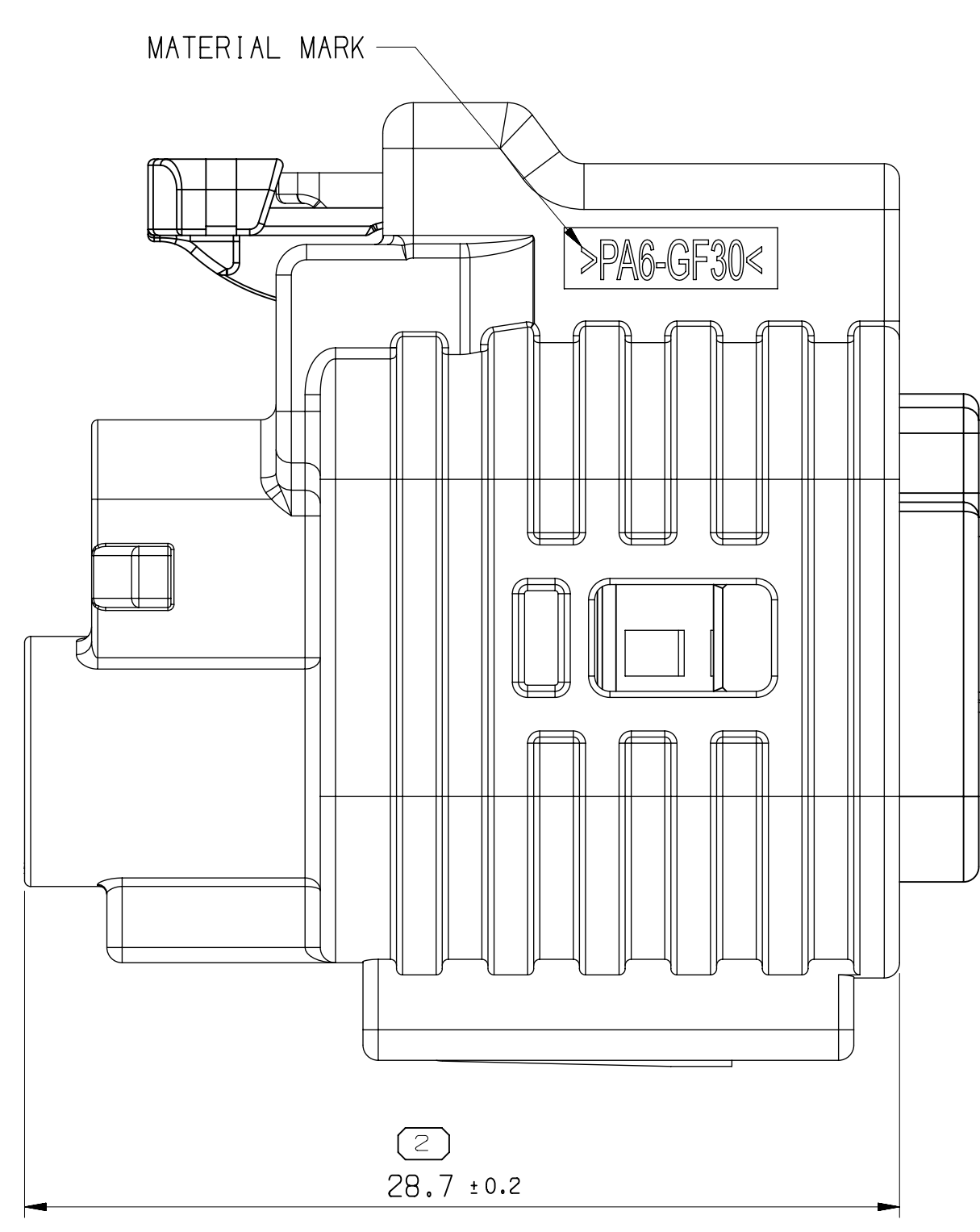
SYMBOL DEFINITION		TOTAL NO OF INSPECTIONS REQUIRED	
A DIMENSION WITHOUT AN INSPECTION REPORT SYMBOL DOES NOT REQUIRE INSPECTION. IT MAY BE CONTROLLED ON THE INDIVIDUAL COMPONENT DRAWING.	3	LAST NO. USED	3



MISSING SYMBOLS		REVISION HISTORY	
NO MISSING SYMBOL NUMBER	3	DATE	REVISION
		14.JUN.19	R 01
		14.AUG.19	R 01



- NOTES FOR BRACKET :
1. TOLERANCE MUST MEET DIN ISO 2768 (M)
 2. NO BURR, SHARP EDGE.
 3. THICKNESS INCLUDES ANY AFTER TREATMENTS.



- NOTES:
1. NON SPECIFIED TOLERANCE : ISO 2768 (m)
 2. MUST BE FREE OF CRACK , FLOW MARK , FLASH , BURR ETC , THAT AFFECT FUNCTION OF PRODUCT
 3. MUST MEET HMC SPEC ES91500-00 UNLESS OTHERWISE SPECIFIED TO VENDOR SPECIFICATION.
 4. APPLICABLE MALE INTERFACE DRAWING NO: 35269378
 5. CONNECTOR CLIP: 33251566 / 33258694 / 35313342

ASSOCIATED PARTS				
FEMALE TERMINAL	MVL PART NUMBER	APTIV PART NUMBER	WIRE SIZE (mm²)	AWG
TIN	54001807	10810375	0.5-1.0	20-18
	54001807RWA	15532428		
	54001404	13627267	1.5-2.5	16-13
	54001404RWA	15512741		
GOLD	54001811	13948955	0.5-1.0	20-18
	54001811RWA	15513669		
	54001410	15470590	1.5-2.5	16-13
	54001410RWA	15512736		

CONNECTOR				
ASSEMBLY PART NO.	DESCRIPTION	PARK NO.	QTY	MATERIAL COLOR
35299498	CPA	-	-	-
	INTERFACE SEAL	35206336	1	SILICONE RUBBER GREEN
35206329	TPA	35206305	1	PA6-GF 30 BLUE
	HOUSING	35206270	1	PA6-GF 30 BLACK
35206329	CPA	33219398	1	PA66-GF 35 GRAY
	INTERFACE SEAL	35206336	1	SILICONE RUBBER GREEN
35206329	TPA	35206305	1	PA6-GF 30 BLUE
	HOUSING	35206270	1	PA6-GF 30 BLACK

CABLE SEAL				
TYPE	PART NUMBER	WIRE SIZE (mm²)	INSULATION Ø	MATERIAL
APEX 2.8 CABLE SEAL	35215171	0.5-1.0	1.6-1.9	DARK GRAY
	35215172	1.5-2.0	2.1-2.7	MARINE BLUE
	35215173	2.5	2.9-3.1	BLACK
APEX 2.8 DUMMY SEAL	35289266	-	-	BROWN
	33318278	0.3-0.35	1.2-1.6	GRAY
APEX 1.2 CABLE SEAL	33318279	0.5-0.85	1.6-1.9	LIGHT GRAY
	33318275	1.0-1.5	1.9-2.4	BLACK
APEX 1.2 DUMMY SEAL	33402443	-	-	WHITE
	35020635	-	-	DARK GRAY

DIN ISO 2768	Tolerance Class medium (m)
Linear Dimensions except for broken edges	Permissible deviations for basic size range (mm)
	0.5 (*) up to 3
	over 3 up to 6
	over 6 up to 30
	over 30 up to 120
	over 120 up to 400
	over 400 up to 1000
	over 1000 up to 2000
Broken edges (radial, chamfers)	Permissible deviations for basic size range (mm)
	0.5 (*) up to 3
	over 3 up to 6
	over 6
Angular dimensions	Permissible deviations for ranges of lengths, in mm, of the shorter side of the angle concerned
	up to 10
	over 10 up to 50
	over 50 up to 120
	over 120 up to 400
	over 400

UNLESS OTHERWISE SPECIFIED

THIS DOCUMENT IS IN ACCORDANCE WITH ASME Y14.5M-1994 AS AMENDED BY THE 2018 GLOBAL DIMENSIONING AND TOLERANCING ADDENDUM (SD1). SEPARATE PATTERNS OF FEATURES MAY BE ORDERED SEPARATELY REGARDLESS OF DATUM REFERENCES.

ALL DIMENSIONS ARE IN MILLIMETERS

PROCESS SENSITIVE DIMENSION

THIRD ANGLE PROJECTION

DO NOT SCALE

USE MATH DATA

DATE: 14.JUN.19

REVISION: R 01

SCALE: 5:1

SHEET NO: 1 OF 1

REV: R 01

• APTIV •

DELPHI PACKARD ELECTRICAL/ELECTRONIC ARCHITECTURE

Copyright 2019 DELPHI CORPORATION AND/OR ITS AFFILIATES. ALL RIGHTS RESERVED.

THIS DRAWING IS THE PROPERTY OF DELPHI CORPORATION AND CONTAINS DELPHI CONFIDENTIAL INFORMATION. THE REPRODUCTION, DISTRIBUTION AND UTILIZATION OF THIS DOCUMENT OR ITS RELATED CAD DATA, AS WELL AS COMMUNICATION OF ANY CONTENT TO OTHERS, WITHOUT EXPRESS AUTHORIZATION, IS PROHIBITED.

SEE TABLE

WSS*EPB 4WAY FEMALE CONNECTOR

35325193

SIZE: A0

SCALE: 5:1

FRAME NO: 1 OF 1

SHEET NO: 1 OF 1

DATE: 14.JUN.19

REV: R 01