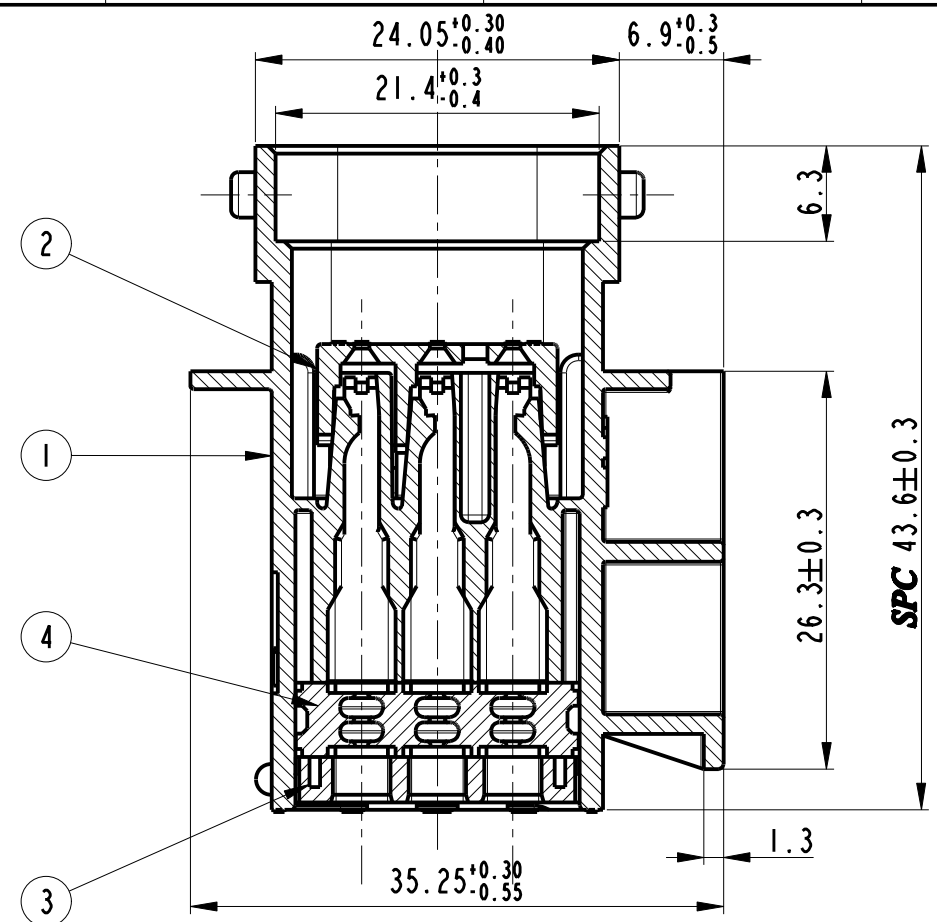
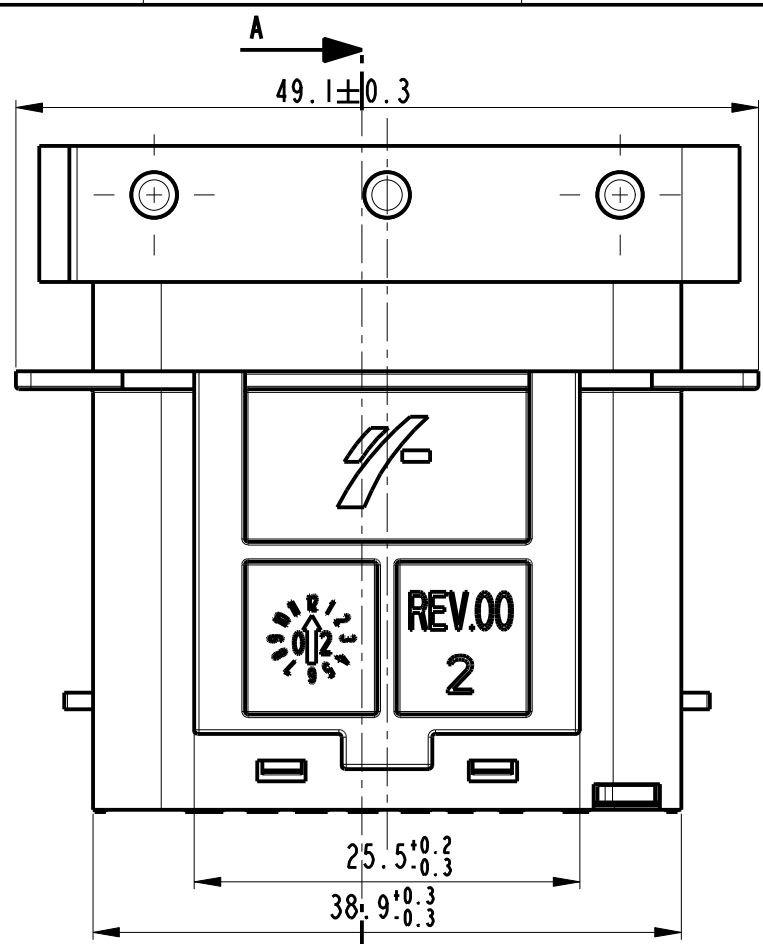
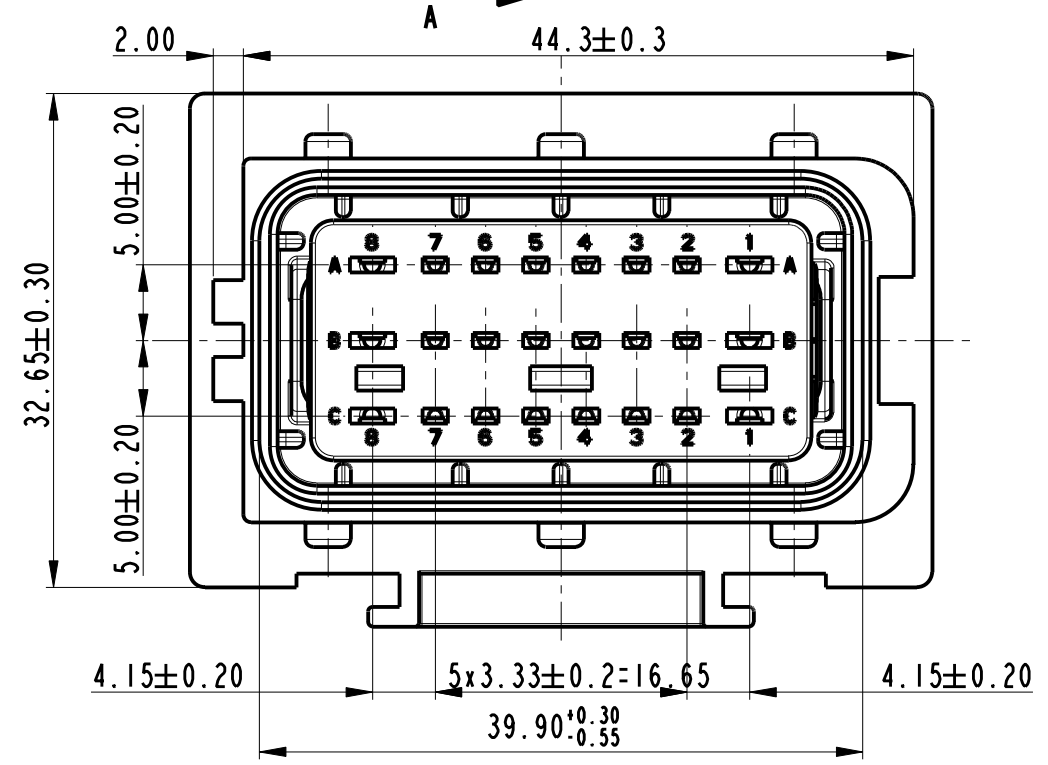


STRICTLY CONFIDENTIAL



N°	DESCRIPTION	COLOR	MATERIAL
1	HOUSING	BLACK-BROWN GREY-BLUE	PBT
2	SECONDARY LOCK GRID	YELLOW	PBT
3	GROMMET STOP	BLACK	PBT
4	GROMMET	RED, GREEN or BLUE	SILICON



THE CATALOG NUMBERS OF THIS VERSION ARE SHOWN IN THE TABLE SHEET 2 OF 4
 I NUMERI DI CATALOGO DI QUESTA VERSIONE SONO ELENCATI SULLA TABELLA FOGLIO 2 DI 4

SPC Statistical Process Control

ECN-NO. / NUMERO -ECN	DATE / DATA	REVISION / REVISIONE	POSITION / POSIZIONE	CHANGE DESCRIPTION / DESCRIZIONE MODIFICA	DRAWN BY / DISEGNATORE	CHK. BY / CONTROLLATO	APPR. BY / APPROVATO
14-10942	28-11-2014	A		Deleted obsolete P/Ns and updated format	F.G.		M.C.
ECN 41/03	05-11-2003	07		RELEASED FOR PRODUCTION	R.R.	G.S.	
	30-10-2003	06		UPDATED DRAWING	R.R.	G.S.	
	21-10-2003	05		SHEET 1 OF 4 CHANGE SPC DIMENSION FROM 43.9 ±0.3 · 0.5 TO 43.6 ±0.3	R.R.	G.S.	
	01-09-2003	04		MODIFIED MATERIAL FOR THE FOLLOWING P/N 211PL249SX020 - 211PL249SX023 - 211PL249SX033 WAS PA6 GF 1S PBT GF	R.R.	G.S.	
	28-05-2003	03		ADDED P/N 211PL249SX043	R.R.	G.S.	
	21-01-2003	02		UPDATED DRAWING	R.R.	G.S.	
	15-01-2003	01		Added sheets 3 of 4 and 4 of 4	R.R.	G.S.	

CODING TABLE
 Tavola di codifica

TOLERANCES ±0.2
 Tolleranze

FRONT VIEW
 Vista frontale

■: FULL
 Pieno

COLOR	BLACK	GREY	BROWN	BLUE
Diagram				
Dimensions	8, 2.2, 16.2, 8.4, 8.4	7.6, 2, 16.8, 8.4	3.7, 4.6, 3.8, 0.2±0.1, 4.4, 3.8, 8.2	3.8, 4.6, 3.7, 0.2±0.1, 3.8, 4.4, 8.2

PRODUCT SPEC. / SPEC. DI PRODOTTO: -
 PACKAGING SPEC. / SPEC. DI IMBALLAGGIO: -
 APPLICATION SPEC. / SPEC. DI APPLICAZIONE: -

COPYRIGHT DELPHI CORPORATION AND/OR ITS AFFILIATES. ALL RIGHTS RESERVED. REVISED THIS DRAWING IS THE PROPERTY OF DELPHI CORPORATION. THE REPRODUCTION, DISTRIBUTION AND UTILIZATION OF THIS DOCUMENT OR ITS RELATED CAD MATH DATA, AS WELL AS COMMUNICATION OF ANY CONTENT TO OTHERS, WITHOUT EXPRESS AUTHORIZATION IS PROHIBITED.

TOLERANCES / TOLLERANZE: ± 0.2mm, 1 ± 0.5°
 MATERIAL: SEE TABLE
 COLOUR: SEE TABLE
 TOOL NO.: -

SURFACE FINISH / FINITURA SUPERFICIALE: -

DELPHI
 DELPHI PACKARD ELECTRICAL/ELECTRONIC ARCHITECTURE
 TORINO, ITALY

CAD SYSTEM: pro / eng.
 DWG SIZE / FORMATO: A3
 DIMENSION IN MILLIMETERS / DIMENSIONI IN MILLIMETRI: ISO PROJECTION / PROIEZIONE ISO

DO NOT SCALE DRAWING / DISEGNO FUORI SCALA

DRAWN BY / DISEGNATORE: 04-12-02 N. Morbidelli
 CHECKED BY / CONTROLLATO: -
 APPROVED BY / APPROVATO: 04-12-02 I. Cirriello

TITLE / DESCRIZIONE: 24 WAY SECTIONING ASSEMBLY MALE HOLDER

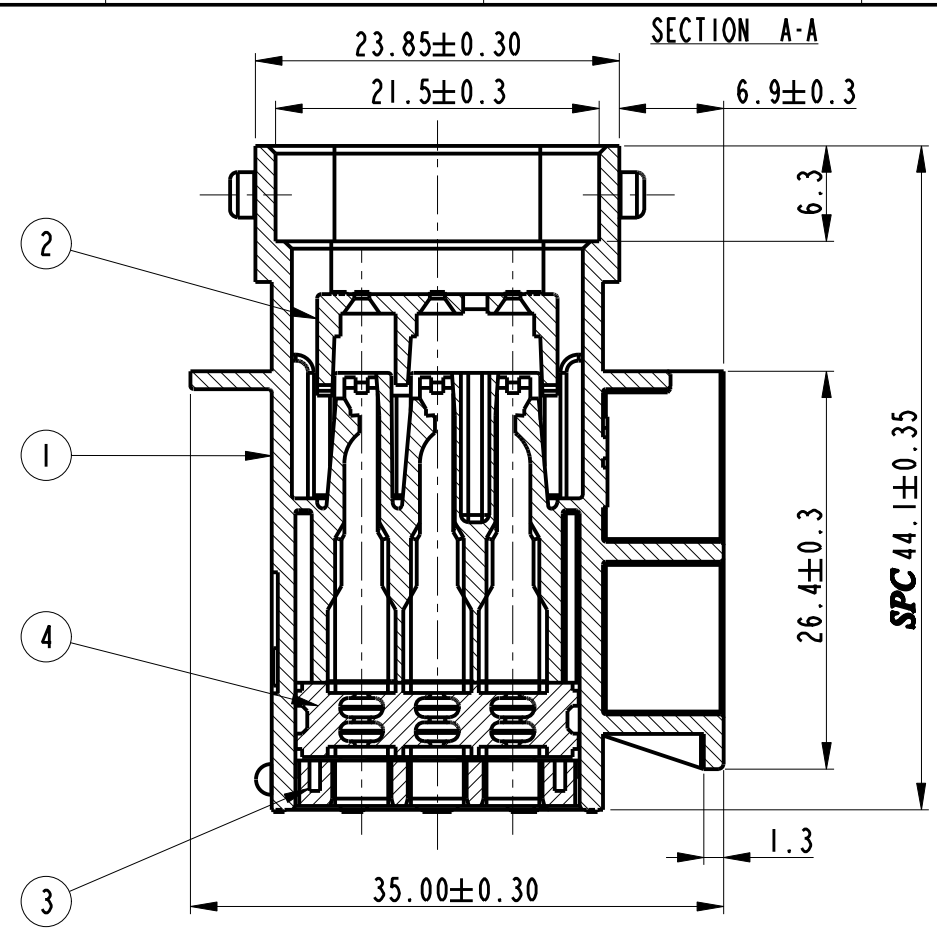
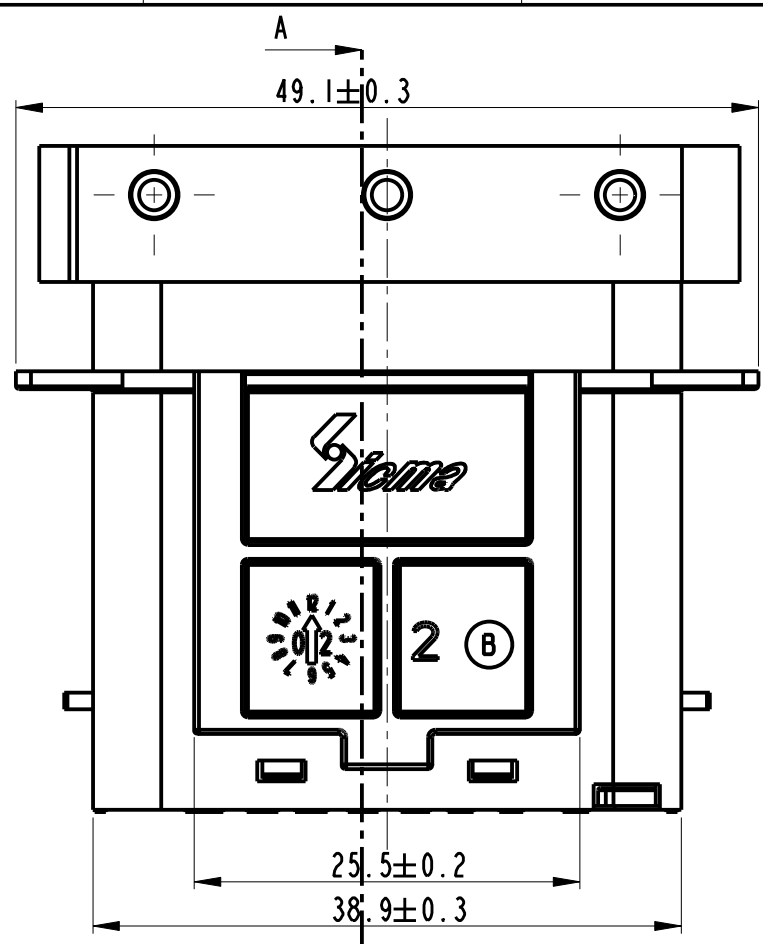
LOC. CODE / NAZIONALITA': IT

DRAWING NUMBER / NUMERO DISEGNO: FSC 309590

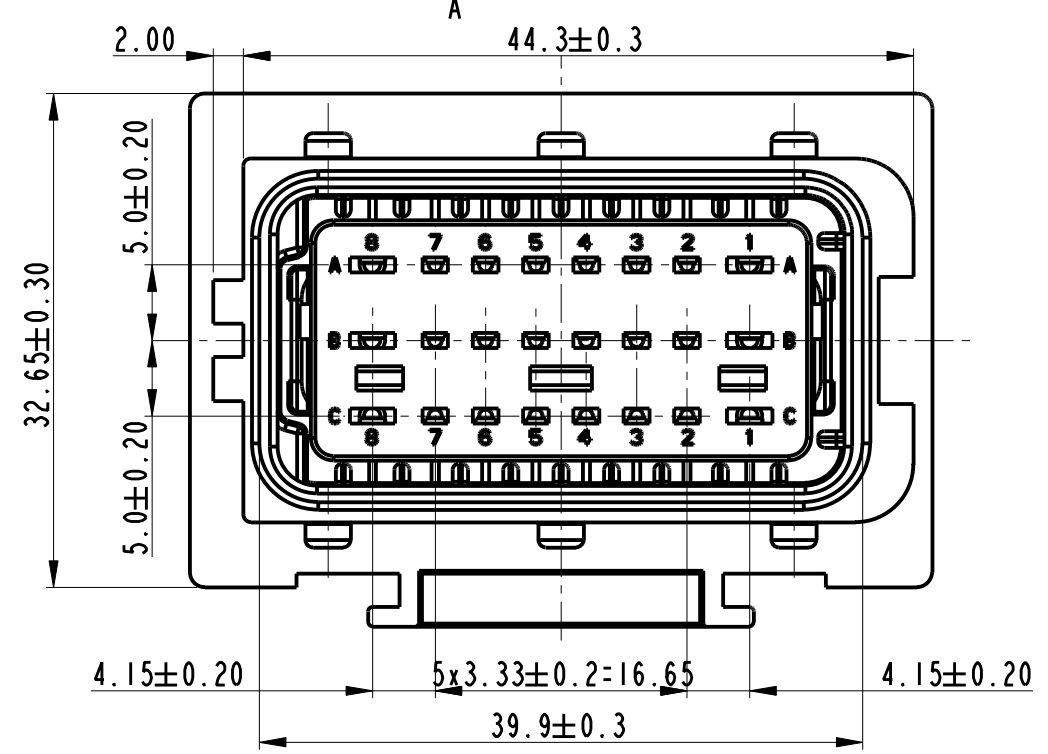
FILE NAME / NOME FILE: FSC 309590

SCALE / SCALA: 2:1

STRICTLY CONFIDENTIAL



N°	DESCRIPTION	COLOR	MATERIAL
1	HOUSING	BLACK-BROWN GREY-BLUE	PBT - PA 6
2	SECONDARY LOCK GRID	YELLOW	PBT
3	GROMMET STOP	BLACK	PBT
4	GROMMET	RED, GREEN or BLUE	SILICON



**THE CATALOG NUMBERS OF THIS VERSION ARE SHOWN IN THE TABLE SHEET 4 OF 4
 I NUMERI DI CATALOGO DI QUESTA VERSIONE SONO ELENCATI SULLA TABELLA FOGLIO 4 DI 4**

SPC Statistical Process Control

ECN-NO. / NUMERO -ECN	DATE / DATA	REVISION / REVISIONE	POSITION / POSIZIONE	CHANGE DESCRIPTION / DESCRIZIONE MODIFICA	DRAWN BY / DISEGNATORE	CHK. BY / CONTROLLATO	APPR. BY / APPROVATO
14-10942	28-11-2014	A		Deleted obsolete P/Ns and updated format	F.G.		M.C.
ECN 41/03	05-11-2003	07		RELEASE FOR PRODUCTION	R.R.	G.S.	
	30-10-2003	06		UPDATED DRAWING	R.R.	G.S.	
	21-10-2003	05		SHEET 1 OF 4 CHANGE SPC DIMENSION FROM 43.9 ±0.3 · 0.5 TO 43.6 ±0.3	R.R.	G.S.	
	01-09-2003	04		MODIFIED MATERIAL FOR THE FOLLOWING P/N 211PL249SX020 - 211PL249SX023 - 211PL249SX033 WAS PA6 GF IS PBT GF	R.R.	G.S.	
	28-05-2003	03		ADDED P/N 211PL249SX043	R.R.	G.S.	
	21-03-2003	02		UPDATED DRAWING	R.R.	G.S.	
	15-01-2003	01		Added sheets 3 of 4 and 4 of 4	R.R.	G.S.	

CODING TABLE
 Tavola di codifica

TOLERANCES ±0.2
 Tolleranze

FRONT VIEW
 Vista frontale

■: FULL Pieno

COLOR	BLACK	GREY	BROWN	BLUE
Diagram				

PRODUCT SPEC. / SPEC. DI PRODOTTO: -
 PACKAGING SPEC. / SPEC. DI IMBALLAGGIO: -
 APPLICATION SPEC. / SPEC. DI APPLICAZIONE: -

COPYRIGHT DELPHI CORPORATION AND/OR ITS AFFILIATES. ALL RIGHTS RESERVED. REVISED THIS DRAWING IS THE PROPERTY OF DELPHI CORPORATION. THE REPRODUCTION, DISTRIBUTION AND UTILIZATION OF THIS DOCUMENT OR ITS RELATED CAD MATH DATA, AS WELL AS COMMUNICATION OF ANY CONTENT TO OTHERS, WITHOUT EXPRESS AUTHORIZATION IS PROHIBITED.

TOLERANCES / TOLLERANZE: ± 0.2mm / ±0.2
 MATERIAL: / MATERIALE: SEE TABLE
 COLOUR: / COLORE: SEE TABLE
 TOOL NO.: -

SURFACE FINISH / FINITURA SUPERFICIALE: -

DO NOT SCALE DRAWING / DISEGNO FUORI SCALA

DATE / DATA: 13-01-03
 NAME / NOME: W. Morbidelli
 CHECKED BY / CONTROLLATO: 13-01-03 T. Ciriello
 APPROVED BY / APPROVATO: -

TITLE / DESCRIZIONE: 24 WAY SECTIONING ASSEMBLY MALE HOLDER

LOC. CODE / NAZIONALITA': IT

ESR NO. / NUMERO ESR: ITA 2043
 CAT. NO. / NUMERO CAT.: SEE TABLE SHEET 4

DELPHI
 DELPHI PACKARD ELECTRICAL/ELECTRONIC ARCHITECTURE
 TORINO, ITALY

ISO PROJECTION / PROIEZIONE ISO

DIMENSION IN MILLIMETERS / DIMENSIONI IN MILLIMETRI

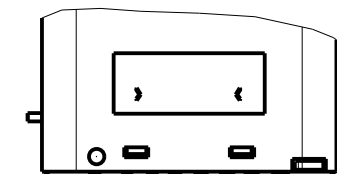
DRAWING NUMBER / NUMERO DISEGNO: FSC 309590

FILE NAME / NOME FILE: FSC309590

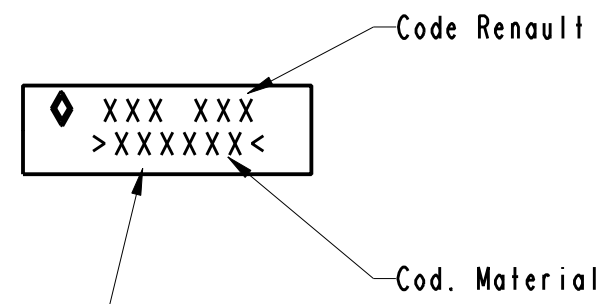
CAD SYSTEM: pro / eng.
 DWG SIZE / FORMATO: A3
 SHEET / FOGLIO: 3 of 4
 SCALE / SCALA: 2:1

STRICTLY CONFIDENTIAL

COMPONENTS								
MVL P/Ns DELPHI P/Ns	HOUSING	HOUSING MATERIAL	SEC. LOCK	GROMMET "RED"	GROMMET "GREEN"	GROMMET "BLUE"	GROMMET STOP	DETAIL "X"
211PL249S0005 I3522984 Rev OI	Black	PBT	Yes	Yes			Yes	Yes



DETAIL "X"
(Specific only for Renault Version)



Text height 2.5mm. in relief 0.1mm.

ECN-NO. NUMERO -ECN	DATE DD / MM / YY DATA	REVISION REVISIONE	POSITION POSIZIONE	CHANGE DESCRIPTION DESCRIZIONE MODIFICA	DRAWN BY DISEGNATORE	CHK. BY CONTROLLATO	APPR. BY APPROVATO
14-10942	28-11-2014	A		Deleted obsolete P/Ns and updated format	F.G.		M.C.
ECN 41/03	05-11-2003	07		RELEASED FOR PRODUCTION	R.R.	G.S.	
	30-10-2003	06		UPDATED DRAWING	R.R.	G.S.	
	21-10-2003	05		SHEET 1 OF 4 CHANGE SPC DIMENSION FROM 43.9 ±0.3 · 0.5 TO 43.6 ±0.3	R.R.	G.S.	
	01-09-2003	04		MODIFIED MATERIAL FOR THE FOLLOWING P/N 211PL249SX020 - 211PL249SX023 - 211PL249SX033 WAS PA6 GF 1S PBT GF	R.R.	G.S.	
	28-05-2003	03		ADDED P/N 211PL249SX043	R.R.	G.S.	
	21-03-2003	02		UPDATED DRAWING	R.R.	G.S.	
	15-01-2003	01		Added sheets 3 of 4 and 4 of 4	R.R.	G.S.	

PRODUCT SPEC. SPEC. DI PRODOTTO	PACKAGING SPEC. SPEC. DI IMBALLAGGIO	APPLICATION SPEC. SPEC. DI APPLICAZIONE	COPYRIGHT DELPHI CORPORATION AND/OR ITS AFFILIATES. ALL RIGHTS RESERVED. REVISED THIS DRAWING IS THE PROPERTY OF DELPHI CORPORATION. THE REPRODUCTION, DISTRIBUTION AND UTILIZATION OF THIS DOCUMENT OR ITS RELATED CAD MATH DATA, AS WELL AS COMMUNICATION OF ANY CONTENT TO OTHERS, WITHOUT EXPRESS AUTHORIZATION IS PROHIBITED.				
TOLERANCES TOLLERANZE ± 0.2mm / ±2'	COUNTERPART Nr. CONTROPARTE Nr.	MATERIAL : MATERIALE : SEE TABLE	SURFACE FINISH FINITURA SUPERFICIALE	DELPHI DELPHI PACKARD ELECTRICAL/ELECTRONIC ARCHITECTURE TORINO, ITALY		CAD SYSTEM pro / eng.	
DO NOT SCALE DRAWING DISEGNO FUORI SCALA	DATE DATA	NAME NOME	TITLE DESCRIZIONE	LOC. CODE NAZIONALITA' IT	DRAWING NUMBER NUMERO DISEGNO		
DRAWN BY DISEGNATORE	DATE DATA	NAME NOME	TITLE DESCRIZIONE	LOC. CODE NAZIONALITA' IT	DRAWING NUMBER NUMERO DISEGNO		
CHECKED BY CONTROLLATO	DATE DATA	NAME NOME	TITLE DESCRIZIONE	LOC. CODE NAZIONALITA' IT	DRAWING NUMBER NUMERO DISEGNO		
APPROVED BY APPROVATO	DATE DATA	NAME NOME	TITLE DESCRIZIONE	LOC. CODE NAZIONALITA' IT	DRAWING NUMBER NUMERO DISEGNO		

24 WAY SECTIONING ASSEMBLY MALE HOLDER

FSC 309590

SCALE 2:1