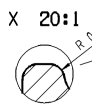
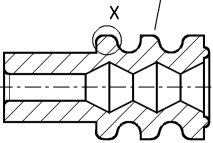


alternatively only for / wahlweise nur fuer:
 ID-Nr.: 401 257 / Part-No.: 1532791B
 ID-Nr.: 406 131 / Part-No.: 1532791B
 ID-Nr.: 406 129 / Part-No.: 15339412



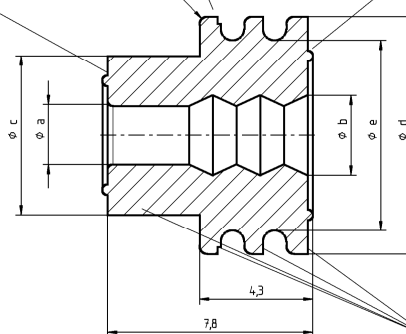
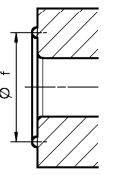
middle sealing lip alternatively bent only for:
 mittlere Dichtlippe wahlweise gedreht nur fuer:
 ID-Nr.: 401 257 / Part-No.: 1532791B
 ID-Nr.: 406 131 / Part-No.: 1532791B
 ID-Nr.: 406 129 / Part-No.: 15339412



Parts not allowed on front face to stick together (afd.-Nr.: 4-6)
 Teile duerfen stimsseitig nicht miteinander verkleben (afd.-Nr.: 4-6)

revolve round optionally interrupt injection point possible
 umlaufend wahlweise unterbrochen Anspritzung moeglich

parting line / injection point possible
 Werkzeugtrennung / Anspritzung moeglich

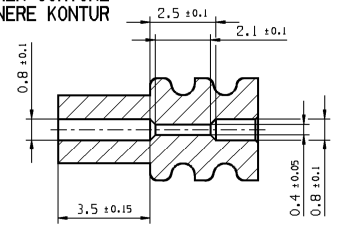


Range only for Pos.: 7-11,19,20
 Ausfuhrung nur fuer Pos.: 7-11,19,20

Loose / Lose				Put on the belt / geguert				Pos.	Cbl.Ø Ltg.Ø	Cable cross-section mm² altern. Leitungsquerschnitt mm² wahlw.		Color Farbe	SIM RAL	Dimension φ Mass ø						
ID-Nr.:	Part-No.:	Part REV	Date Datum	ID-Nr.:	Part-No.:	Part-REV	Date Datum			FLY	FLRY			a±0,1	b±0,2	c±0,2	d±0,1	e ^{+0,1} _{-0,2}	fs±0,2	
Seal for female-terminal 1,5 mm and tab-terminal 1,5 mm Dichtung fuer Flachsteckhuelse 1,5 mm und Flachstecker 1,5 mm																				
---	33120594	01	310C13	---	---	---	---	0,8-12	0,08-0,13	black schwarz	9011	---	---	2,6	3,9	2,6	---			
406 131	1532791B	42	13JN00	---	---	---	2	12-16	0,35-0,5	wine red weinrot	3027	0,8	1,4	2,6	3,9	2,6	---			
401 257	1532791B	42	13JN00	401 258	15344666	42	13JN00	1	12-2,0	gray grau	7000	1,0	1,9	2,6	3,9	2,6	---			
406 129	15339412	42	13JN00	---	---	---	3	1,9-2,1	0,75-1,5	maize maisgelb	1007	1,5	1,9	2,6	3,9	2,6	---			
---	13735535	01	150C08	---	---	01	150C08	21	12-2,0	yellow gelb	1016	1,0	1,9	2,6	3,9	2,6	---			
---	13735527	01	150C08	---	---	01	150C08	22	12-2,0	green gruen	6010	1,0	1,9	2,6	3,9	2,6	---			
Seal for female-terminal 2,8 mm and tab-terminal 2,8 mm Dichtung fuer Flachsteckhuelse 2,8 mm und Flachstecker 2,8 mm																				
---	33120598	01	310C13	---	---	---	---	0,8-12	0,08-0,13	wine red weinrot	3027	---	---	3,4	5,65	4,5	---			
401 199	15327860	42	13JN00	401 198	10718144	42	13JN00	4	12-2,0	blue blau	5010	0,8	1,6	3,4	5,65	4,5	---			
404 924	10722091	01	11Y104	---	---	---	15	12-2,0	0,35	gray grau	7000	0,8	1,6	3,4	5,65	4,5	---			
401 187	15327863	42	13JN00	401 188	15344643	42	13JN00	5	2,0-2,7	orange orange	2004	0,8	1,6	3,4	5,65	4,5	---			
401 259	15327859	42	13JN00	401 260	10720641	42	13JN00	6	2,7-3	red / brown rot / braun	3011	1,6	2,2	3,4	5,65	4,5	---			
Seal for female-terminal 4,8 mm and tab-terminal 4,8 mm Dichtung fuer Flachsteckhuelse 4,8 mm und Flachstecker 4,8 mm																				
401 201	15363779	42	13JN00	401 200	15344644	42	13JN00	7	12-2,0	yellow gelb	1016	0,8	1,6	6,0	9,0	7,2	3,4			
401 203	15363604	42	13JN00	401 202	15344645	42	13JN00	8	2,0-2,7	white weiss	9010	1,6	2,2	6,0	9,0	7,2	3,7			
401 205	15327864	42	13JN00	401 204	15337204	42	13JN00	9	2,7-3,8	red / brown rot / braun	3011	2,2	3,0	6,0	9,0	7,2	4,1			
401 208	15363605	42	13JN00	401 207	15344646	42	13JN00	10	4,0-4,5	green gruen	6010	3,2	3,9	6,0	9,0	7,2	4,6			
401 210	15344647	42	13JN00	401 209	15344104	42	13JN00	11	4,7-5,3	gray grau	7000	3,8	4,8	6,5	9,0	7,2	5,15			
---	13735454	01	150C08	---	---	01	150C08	19	2,7-3,8	blue blau	5010	2,2	3,0	6,0	9,0	7,2	4,1			
---	13735480	01	150C08	---	---	01	150C08	20	2,7-3,8	green gruen	6010	2,2	3,0	6,0	9,0	7,2	4,1			

PART-NO.
 33120594
 33120598

INNER-CONTURE
 INNERE KONTUR

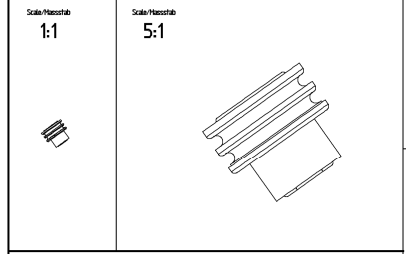


Remarks :
 - Material: Silicone, self-lubricated,
 Tensile strength: Rm min. 6,2 Nm/mm²
 Gap argumentation > 375% DIN 53 504-52
 ozoneresistent, heatresistant -40 to +180°C
 gauged on testboard

Bemerkungen :
 - Werkstoff: Silikon, selbstschmierend,
 Zugfestigkeit: Rm min. 6,2 Nm/mm²
 Reissdehnung > 375% DIN 53 504-52
 ozonbestaendig, temperaturbestaendig -40 bis +180°C
 gemessen an Pruefplatten

Zone	DWG Status REV / N/P/DWG	Revision history	Date	Name	Check	St. GR
01	01	Initial release	16JUN00	U.Tor.	J.Moch	R.Wis.
D12	01 AA	Part No. 403 960 and Part-No. 157213 deleted	05DEC02	Frimm	Cvasa	R.Wis.
C12	01 AB	Part No. 606 447 and Part-No. 1576374 deleted	05DEC02	Frimm	Cvasa	R.Wis.
B12	01 AC	Part No. 606 447 and Part-No. 1576374 deleted	05DEC02	Frimm	Cvasa	R.Wis.
C9	01 AD	Cable ø 2,8-3,8 was 2,8-2,9	17DEC03	Frimm	Cvasa	R.Wis.
C11	02	Cable ø 17-21 was 17-21	18JY04	Frimm	Cvasa	R.Wis.
C11	03	Part-No. 1572091 added	25OC04	Frimm	Cvasa	R.Wis.
C9	03 AA	Part-No. 1572091 added	24MY05	Frimm	Cvasa	R.Wis.
C/D11	03 AB	Part-REV / Datum korrigiert	23AUG05	Frimm	Cvasa	R.Wis.
C/D11	03 AC	Part-No. 1572091 Rev. 02, 81000 var 33, 81897	23AUG05	Frimm	Cvasa	R.Wis.
D6-12	04	Part-No. 1544651, 1544652 added				
B4	AA	Remark No. 1 added	30ESE05	Frimm	Cvasa	R.Wis.
D6-12	05	Part-No. 15339412 added	16MY06	Frimm	Cvasa	R.Wis.
C7	06	Green var. added Part-No. 1536644	27JUL06	Frimm	Cvasa	R.Wis.
A9	06 AA	Part No. 28-38 was 28-29 Part-No. 1537664	06OC06	Frimm	Cvasa	R.Wis.
A9	06 AB	Part No. 28-38 was 28-29 Part-No. 1537664	08NO06	Frimm	Cvasa	R.Wis.
A-D9	06 AC	Part-No. 1537664 added	26JA07	Frimm	Cvasa	P.Les.
C-A6	07	Part No. 1572091, 1572091, 1572091, 1572091 added	15OC08	W.Szo	Frimm	K.PfH
D12	08	Part-No. 1544651, 1544652, 1536644 deleted	09DEC09	V.Kas	J.Saf	SYS
C8	08 AA	Cable cross section for Part-No. 15339412 changed	01OC13	K.wir.	T.Plin	SYS
E12	09	Part 330294 and 330298 added	31OC13	A.HHG	A.URB	SYS
FB	09 AA	DW 16 FORMED MASS 16 ENTERT	30JN14	A.HHG	A.URB	SYS
09	AB	SPKs corrected in BOM	30AP15	V.KAS	K.STO	SYS
09	AC	SPKs corrected in Stückliste	28JN16	V.KAS	K.STO	SYS
E7	09 AD	SPK RAL ADOPT/ANNO	13JUL16	R.NDL	V.KAS	SYS
F11	09 AE	POSITIONS R AND 70 ADDED / POSITIONEN R UND 70 HINZU	10AUI16	P.SCH	E.OSW	SYS
C8	09 AF	CABLE DIAMETER CHANGED - WHITE ERROR	09JAN17	P.SCH	V.KAS	SYS
A-B6	09 AG	CABLE DIAMETER CHANGED - WHITE ERROR	20JUL17	V.KAS	T.BOL	SYS
B9	09 AH	CABLE DIAMETER CHANGED - WHITE ERROR	05OC18	T.MAZ	V.KAS	SYS

Bemerkung



Scale/Maßstab: 1:1

Scale/Maßstab: 5:1

Remarks:

DELPHI

D - 4219 WÄPFERTAL

Part No. see chart / siehe Tabelle

Technical drawing/siehe Zeichnung

Cable seal

Einzelradialdichtung

6501.1713/003

15446589

Sheet A1

DELPHI

DELPHI