

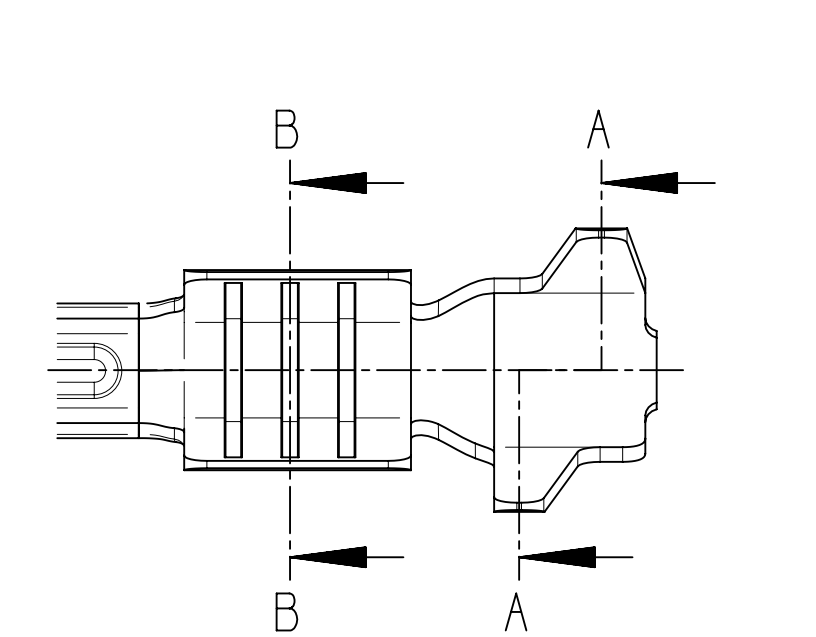
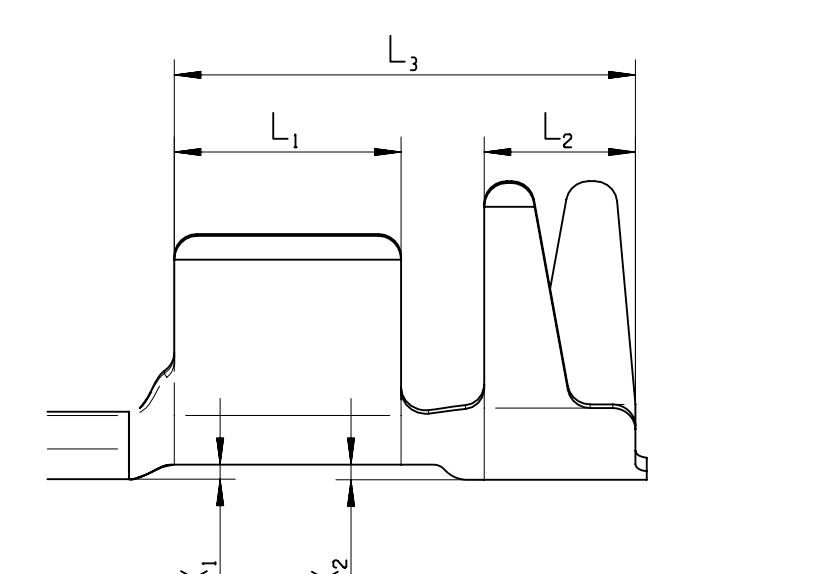
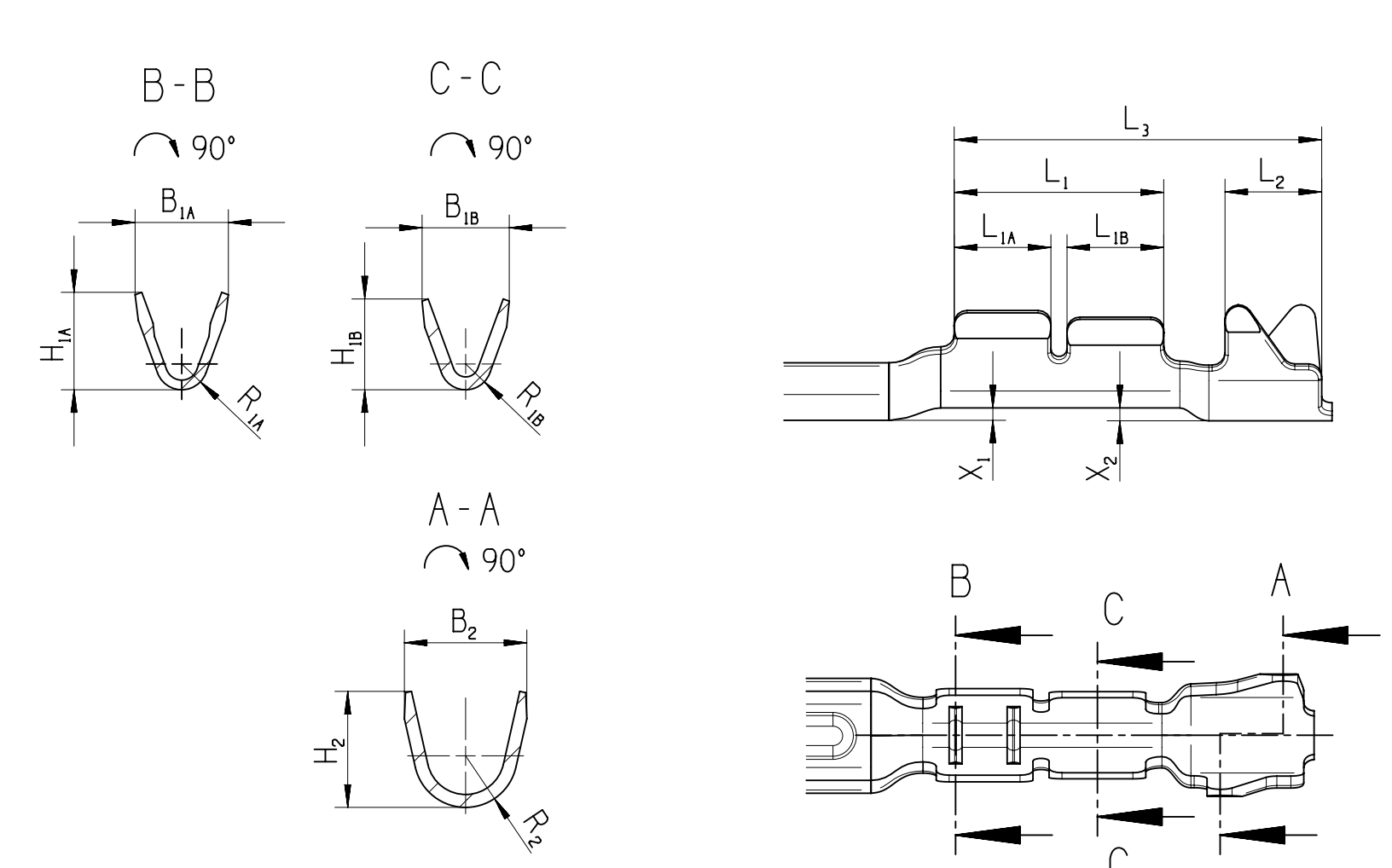
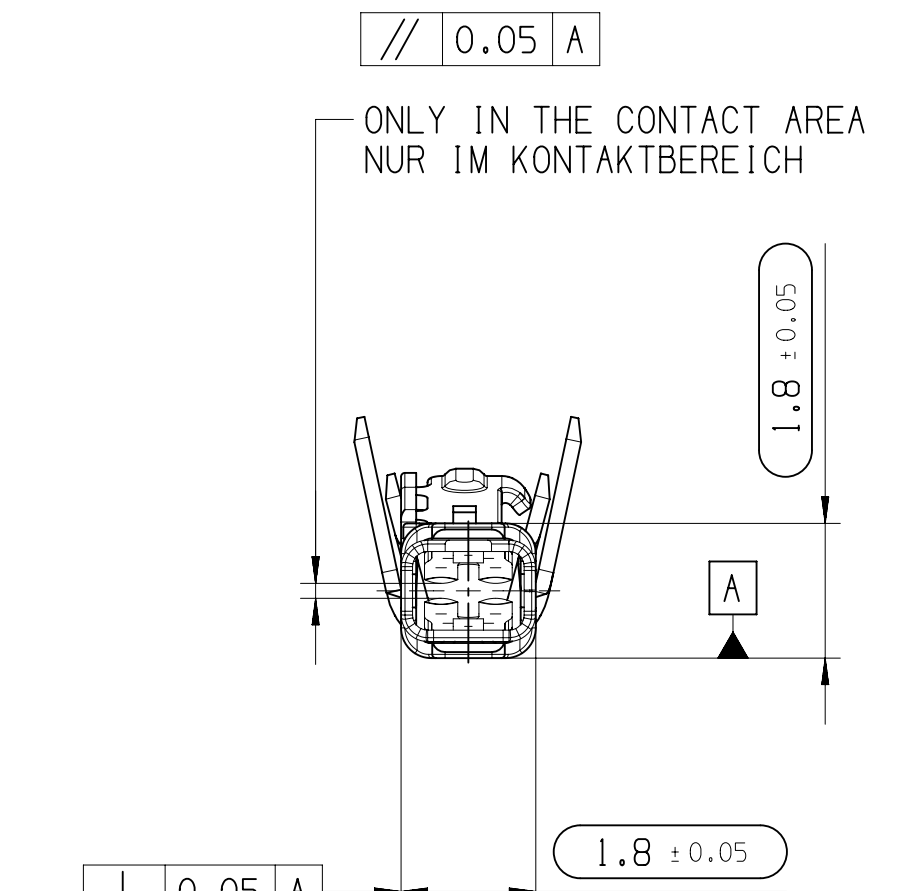
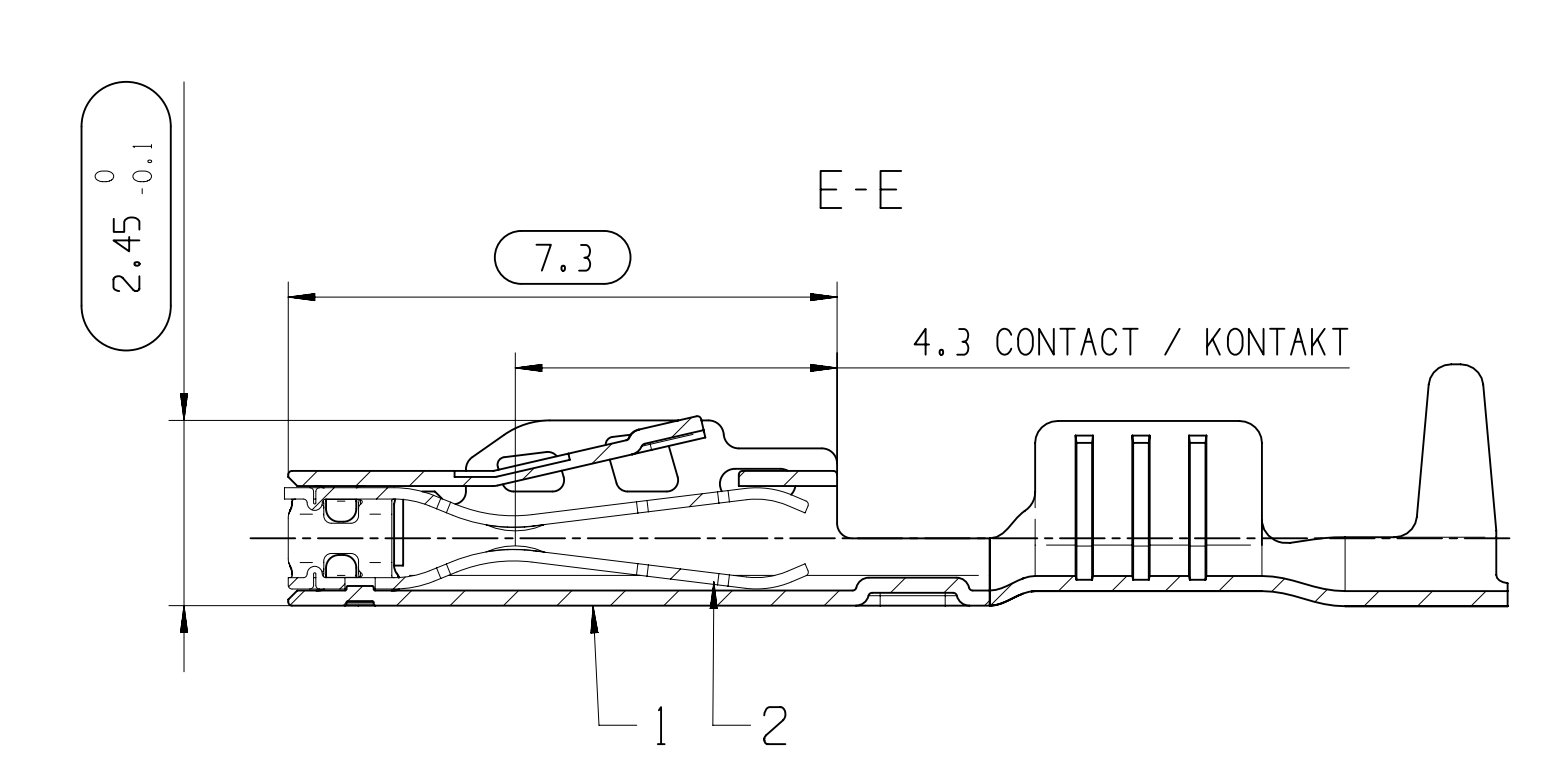
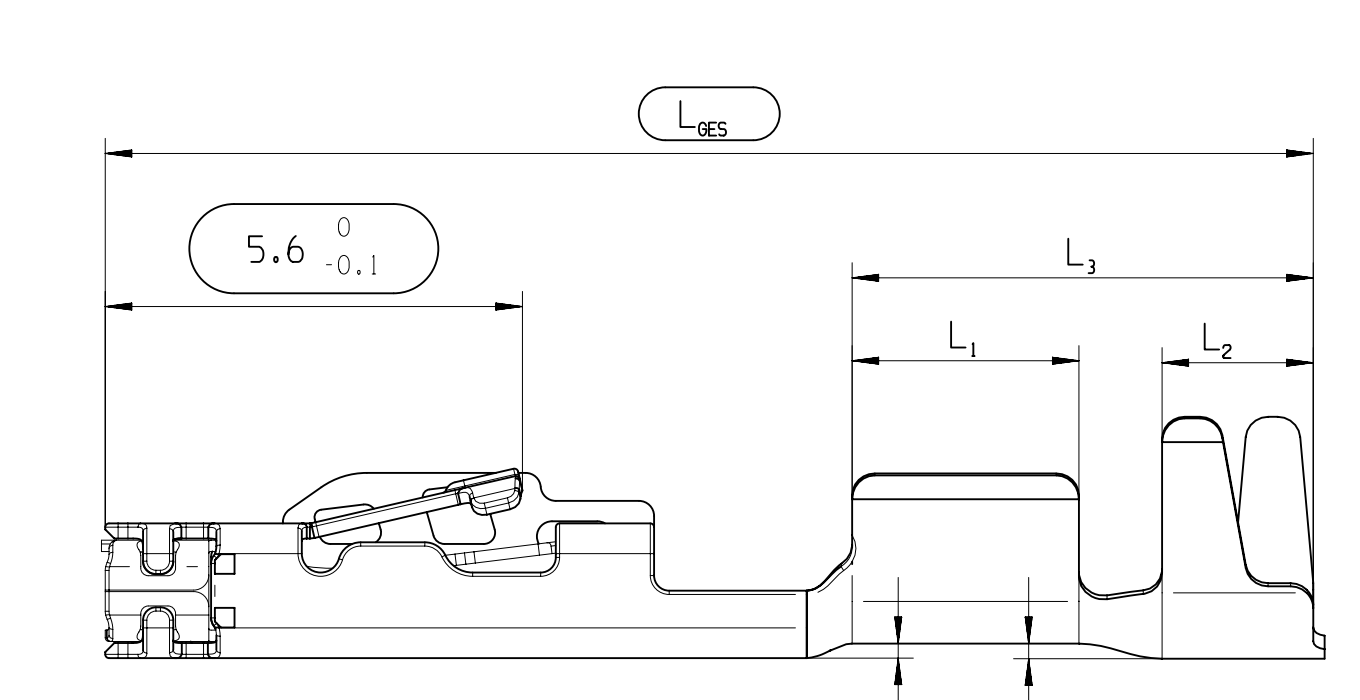
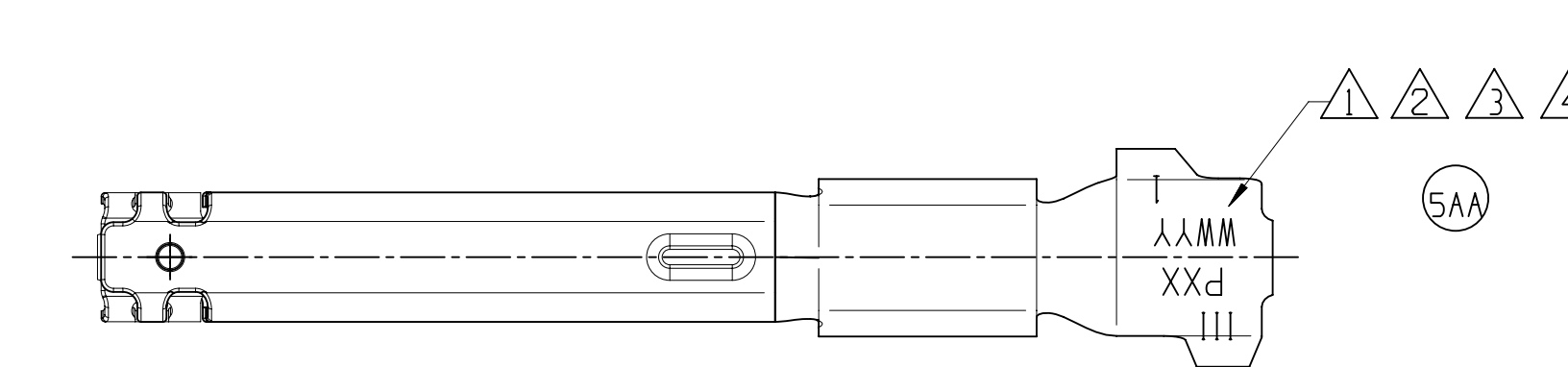
KEY PRODUCT CHARACTERISTICS

SAFETY/COMPLIANCE	FIT/FUNCTION	TOTAL ON DRAWING LAST USED	0
S/C CHECKPOINTS	F/F CHECKPOINTS	PTS	0
NO. & TYPE	DESCRIPTION	RATIONALE	ZONE

ENGAGE FORCE STECKKRAFT (N)	X ₂	X ₁	L _{max}	L ₁	L ₂	L _{1a}	L _{1b}	L _{1c}	R ₁	R ₁	R ₁	R ₁	H ₁	H ₁	H ₁	H ₁	B ₁	B ₁	B ₁	B ₁	WEIGHT GEWICHT (g)	MATERIAL THICKNESS MATERIALDÜCKE	SURFACE OBERFLÄCHE	MATERIAL WERKSTOFF	CABLE-TYPE LTG.-TYP	CROSS SECTION QUERSCH.	VERSION AUSFÜHR.	POS	SINGLE P/N EINZELTEIL	ASSEMBLY P/N ZUSAMMENBAU	PART REV	DATE DATUM
									±0.1	±0.1	±0.1	±0.1	±0.2	±0.2	±0.2	±0.2	±0.2	±0.2	±0.2	±0.2												
2.5 ± 1	0.2	0.2	16	5.7	1.75	3.25	1.5	1.5	0.8	0.1	0.4	0.4	1.60	1.70	1.40	1.50	1.90	1.35	1.45	0.136	0.2 ± 0.005	PSn3	CuSn4	FLMRY-A	0.08-0.18	UNSEALED	1	13948571	13948572	03	12MR14	
2.5 ± 1	0.2	0.2	16	5.7	2	3.0			0.9	0.60			2.10	1.70			2.15	1.65		0.143	0.15 ± 0.005	PSn3	CuNi 35I1Mg	FLRY	0.22-0.35	UNSEALED	1	13959112	13959129	03	12MR14	
2.5 ± 1	0.2	0.2	16	6.1	2	3.0			0.9	0.75			2.95	2.25			2.50	2.20		0.154	0.2 ± 0.005	PSn3	CuSn4	FLRY	0.5-0.75	UNSEALED	1	13959110	13959126	04	09MY17	
2.5 ± 1	0.2	0.2	16	6.1	2	3.0			1.2	0.90			3.95	2.75			3.75	2.50		0.160	0.15 ± 0.005	PSn3	CuNi 35I1Mg	FLRY	1.0	UNSEALED	1	35506840	35506842	01	07AP21	
2.5 ± 1	0.2	0.2	16	6.1	2	3.0			1.2	0.90			3.95	3.05			3.75	2.80		0.167	0.2 ± 0.005	PSn3	CuSn4	FLRY	1.5	UNSEALED	1	13959109	13959123	05	09MY17	

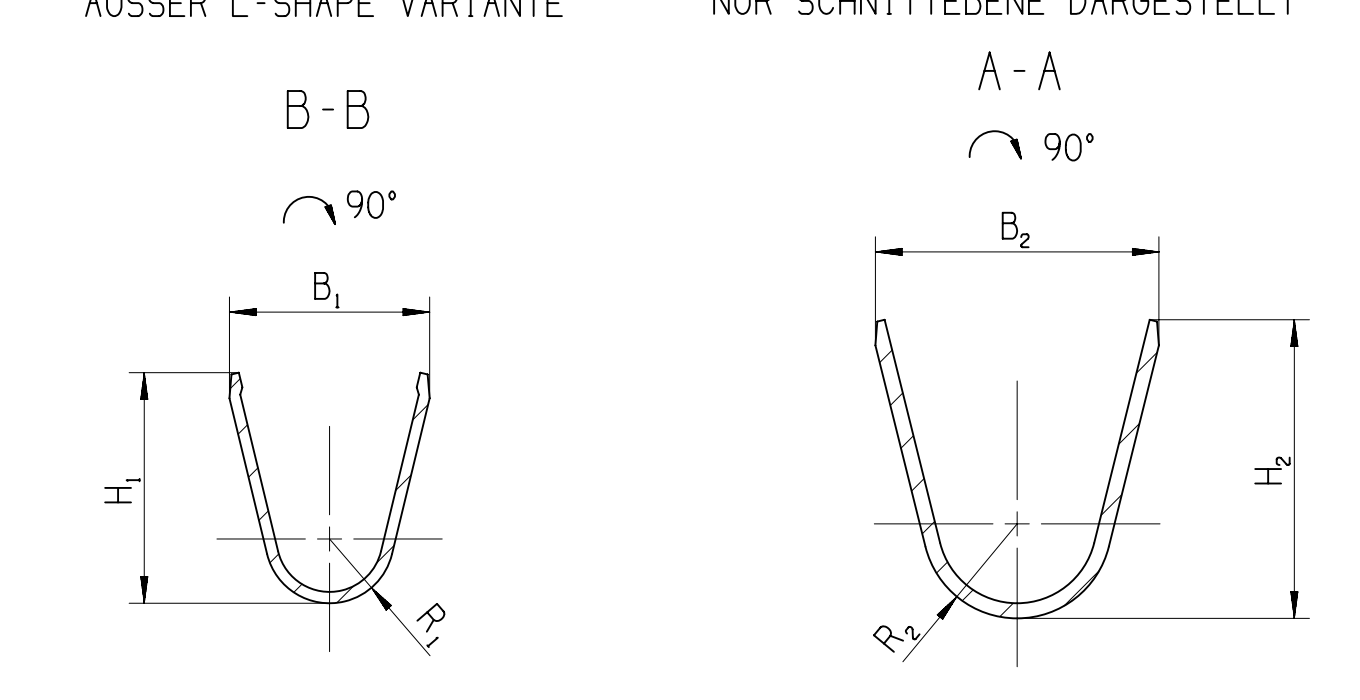
ENGAGE FORCE STECKKRAFT (N)	X ₂	X ₁	L _{max}	L ₁	L ₂	L _{1a}	L _{1b}	L _{1c}	R ₁	R ₁	R ₁	R ₁	H ₁	H ₁	H ₁	H ₁	B ₁	B ₁	B ₁	B ₁	WEIGHT GEWICHT (g)	MATERIAL THICKNESS MATERIALDÜCKE	SURFACE OBERFLÄCHE	MATERIAL WERKSTOFF	CABLE-TYPE LTG.-TYP	CROSS SECTION QUERSCH.	VERSION AUSFÜHR.	POS	SINGLE P/N EINZELTEIL	ASSEMBLY P/N ZUSAMMENBAU	PART REV	DATE DATUM
									±0.1	±0.1	±0.1	±0.1	±0.2	±0.2	±0.2	±0.2	±0.2	±0.2	±0.2	±0.2												
3.0 ± 1	0.2	0.2	16	5.7	1.75	3.25	1.5	1.5	0.8	0.1	0.4	0.4	1.60	1.70	1.40	1.50	1.90	1.35	1.45	0.136	0.2 ± 0.005	PSn3	CuSn4	FLMRY-A	0.08-0.18	UNSEALED	1	13948571	13959130	03	30AU19	
3.0 ± 1	0.2	0.2	16	5.7	2	3.0			0.9	0.60			2.10	1.70			2.15	1.65		0.143	0.15 ± 0.005	seel. Au	CuNi 35I1Mg	FLRY	0.22-0.35	UNSEALED	1	13959112	13959132	03	30AU19	
3.0 ± 1	0.2	0.2	16	6.1	2	3.0			0.9	0.75			2.95	2.25			2.50	2.20		0.154	0.2 ± 0.005	PSn3	CuSn4	FLRY	0.5-0.75	UNSEALED	1	13959110	13959127	04	30AU19	
3.0 ± 1	0.2	0.2	16	6.1	2	3.0			1.2	0.90			3.95	2.75			3.75	2.50		0.160	0.15 ± 0.005	seel. Au	CuNi 35I1Mg	FLRY	1.0	UNSEALED	1	35506840	35506865	01	07AP21	
3.0 ± 1	0.2	0.2	16	6.1	2	3.0			1.2	0.90			3.95	3.05			3.75	2.80		0.167	0.2 ± 0.005	PSn3	CuSn4	FLRY	1.5	UNSEALED	1	13959109	13959124	05	30AU19	

BASIC APPLICATION / STANDARD VARIANTE



FOR ALL TYPES EXCEPT L-SHAPE VERSION
FUER ALLE TYPEN AUSSER L-SHAPE VARIANTE

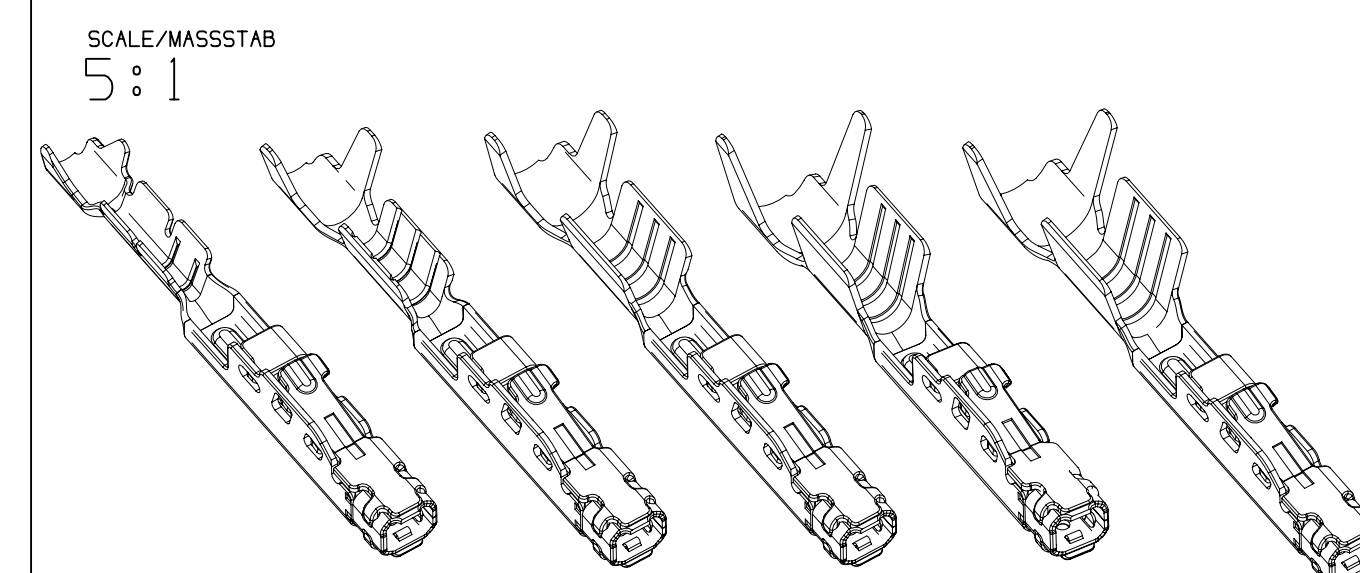
FOR ALL TYPES ONLY CUT AREA SHOWN
FUER ALLE TYPEN NUR SCHNITTEBENE DARGESTELLT



- NOTES / BEMERKUNGEN**
- BURRS ACC. DIN 9830-F
SCHNITTGRAT NACH DIN 9830-F
 - CRIMP MANUFACTURING PARAMETER AND TOOLING ACCORDING TO APTIV-SPECIFICATION
CRIMPVERARBEITUNGSPARAMETER UND WERKZEUGE GEMESS APTIV-SPEZIFIKATION
 - ENGAGE FORCE: SEE CHART
CHECKED WITH (GURE. NO.): APN 15527317
 - STECKKRAFT: SIEHE TABELLE
GEMESSEN MIT PRUEFSTIFT NR.: APN 15527317
 - PRODUCT SPEC. NO.: 13948569-CU574-S01
 - PROCESS SPEC. NO.: 13948569-CU575-S01
- △ SURFACE-INDEX FOR INLAY: Sn1 / Ag11 / Au111
OBERFLÄCHEN-KENNEICHNUNG DER INNENFEDER: Sn1 / Ag11 / Au111
- △ PXX-INDEX ACC. ESCD0020
PXX-ZEICHEN NACH ESCD0020
- △ REVISION STATUS OUTSIDE OF ISOCRIMP
REVISIONSSTAND IM AUSSENBEREICH ISOCRIMP
- △ DATECODE WWJJ
DATUMSCODE WWJJ

TERMINALS ARE APPLICABLE IN COMBINATION WITH KONTAKTTEILE SIND EINSETZBAR IN KOMBINATION MIT

- CAVITY DRAWING: KAMMERZEICHNUNGEN: DELPHI CAVITY: ESD 20702
- STANDARD TAB: 1,2 X 0,6mm NORMSTIFT: 1,2 X 0,6mm DELPHI ESD 20702/ REV: 01/AD



APTIV

CONNECTION SYSTEMS
D-42119 WUPPERTAL

REVISION HISTORY

DATE	REV.	DESCRIPTION
09AP13	R 01	INITIAL RELEASE / SERIENFREI
12MR14	R 02	...
14JUL16	R 04	...
09MY17	R 05	...

SCALE/MASSSTAB: 5:1

GENERAL TOLERANCES ACCORDING TO: SEE CHART SIEHE TABELLE

GD&T ACCORDING TO: 150 1011

REFERENCE: FIRST ANGLE PROJECTION

DO NOT SCALE USE MATH DATA

APPROVED: M. PANAHİ, R. GUTENSCHWAGER, SYS

DATE: 09AP13, 10AP13, 10AP13

DRAWING NAME: COMPACT TERMINAL SYSTEM 1.2 ASSEMBLY, FEMALE, UNSEALED

DRAWING NUMBER: 13948573

SIZE: A0, SCALE: 10:1, FRAME NO: 1 OF 1, SHEET NO: 1 OF 1, REV: R 06

SURVEY INSTRUCTION
MARKED CHARACTERISTICS HAVE TO BE CHECKED AS SPECIFIED

PRUEFANWEISUNG
MARKIERTE MERKMALE SIND WIE FESTGELEGT ZU PRUEFEN

○ DIMENSIONS TO CHECK	○ PRUEFMAASSE
- FEATURES TO CHECK	- PRUEFMERKMALE

DIM TO CHECK	DIMENSIONAL RANGE (MM)	CHART D.
○ PRUEFMAASSE	FROM 0 TO 12	0
- FEATURES TO CHECK	TOLERANCE UNLESS OTHERWISE SPECIFIED	>12
○ THEORETICAL DIM	±0.1	±0.2
- THEORET. MASSE	ANGABEN TOLERANZ	e2