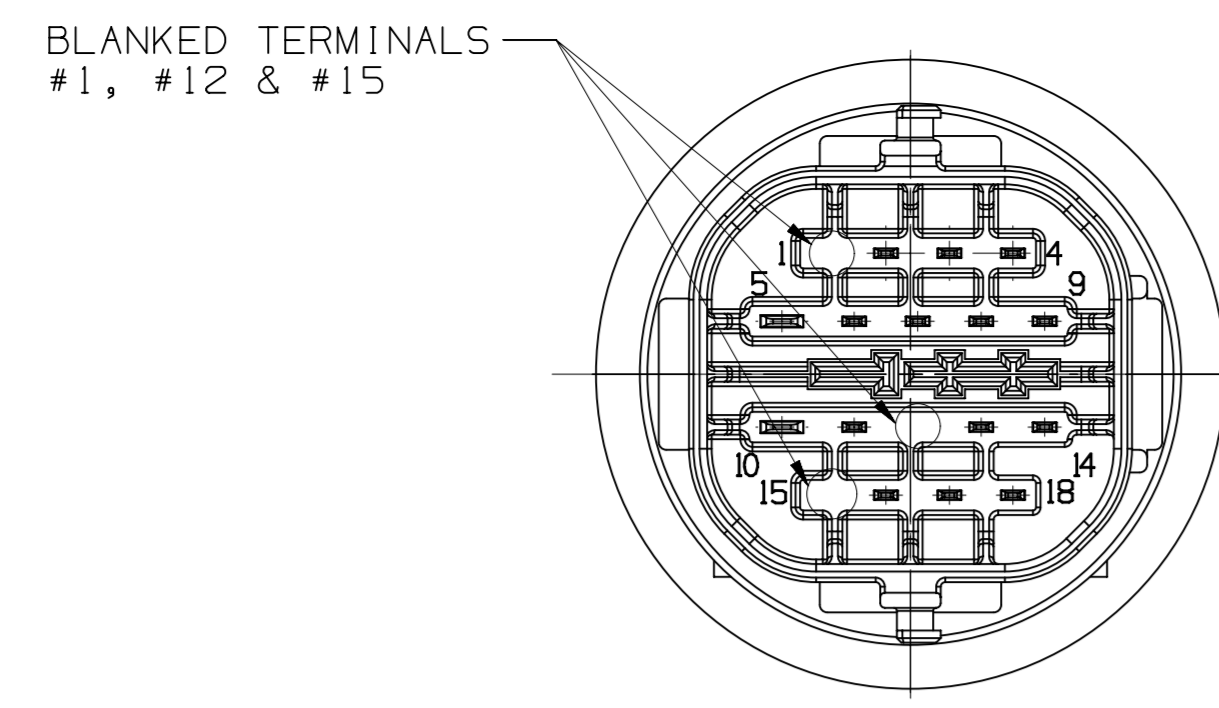
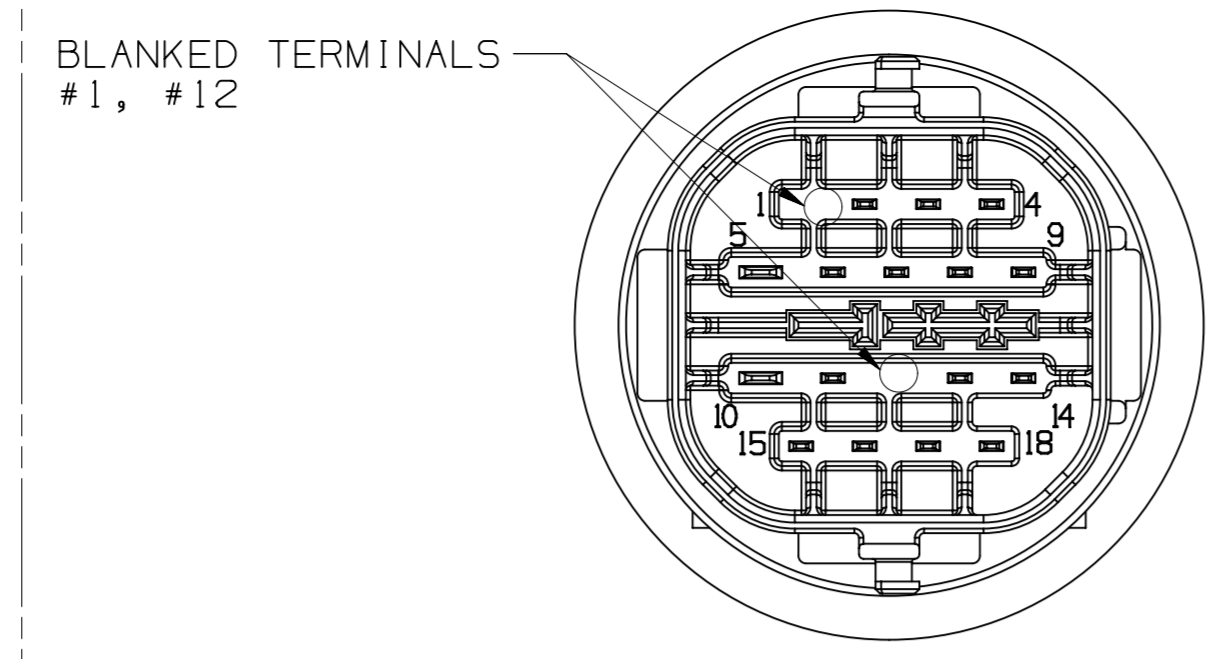


NON SMOKELESS-GEN1
PIN ARRANGEMENT
F941210 / 33201454 : ASSY
5671210 / 33201456 : HOUSING

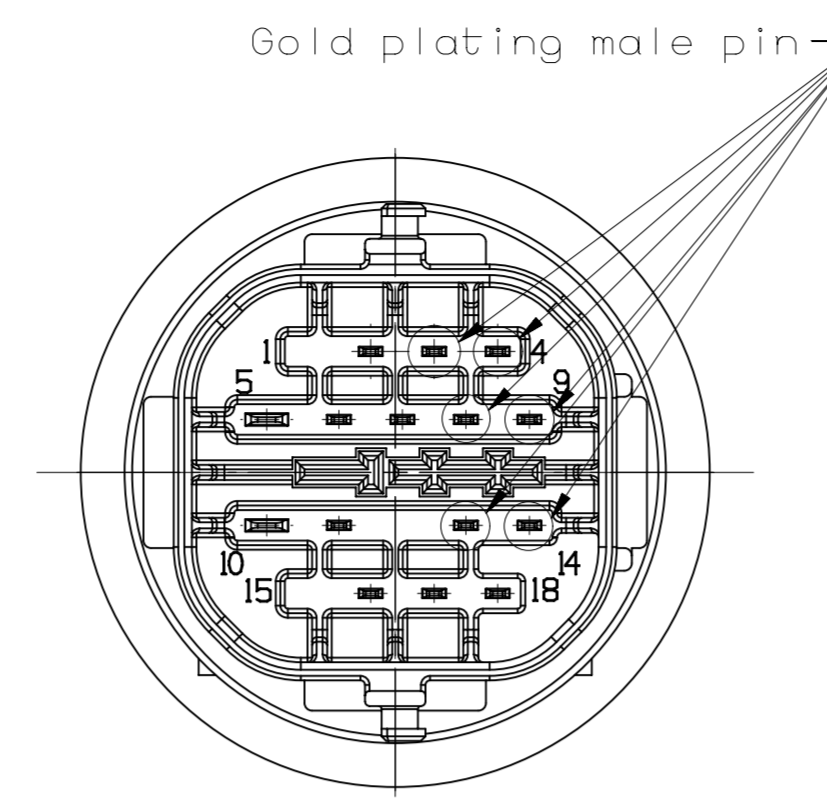


NON SMOKELESS GEN2 / PIN ARRANGEMENT
BLACK COLOR
(33197249 : ASSY / 33197248 : HOUSING)
ECONOMIC TYPE / LIGHT GRAY COLOR
(35149337 : ASSY / 35152840 : HOUSING)

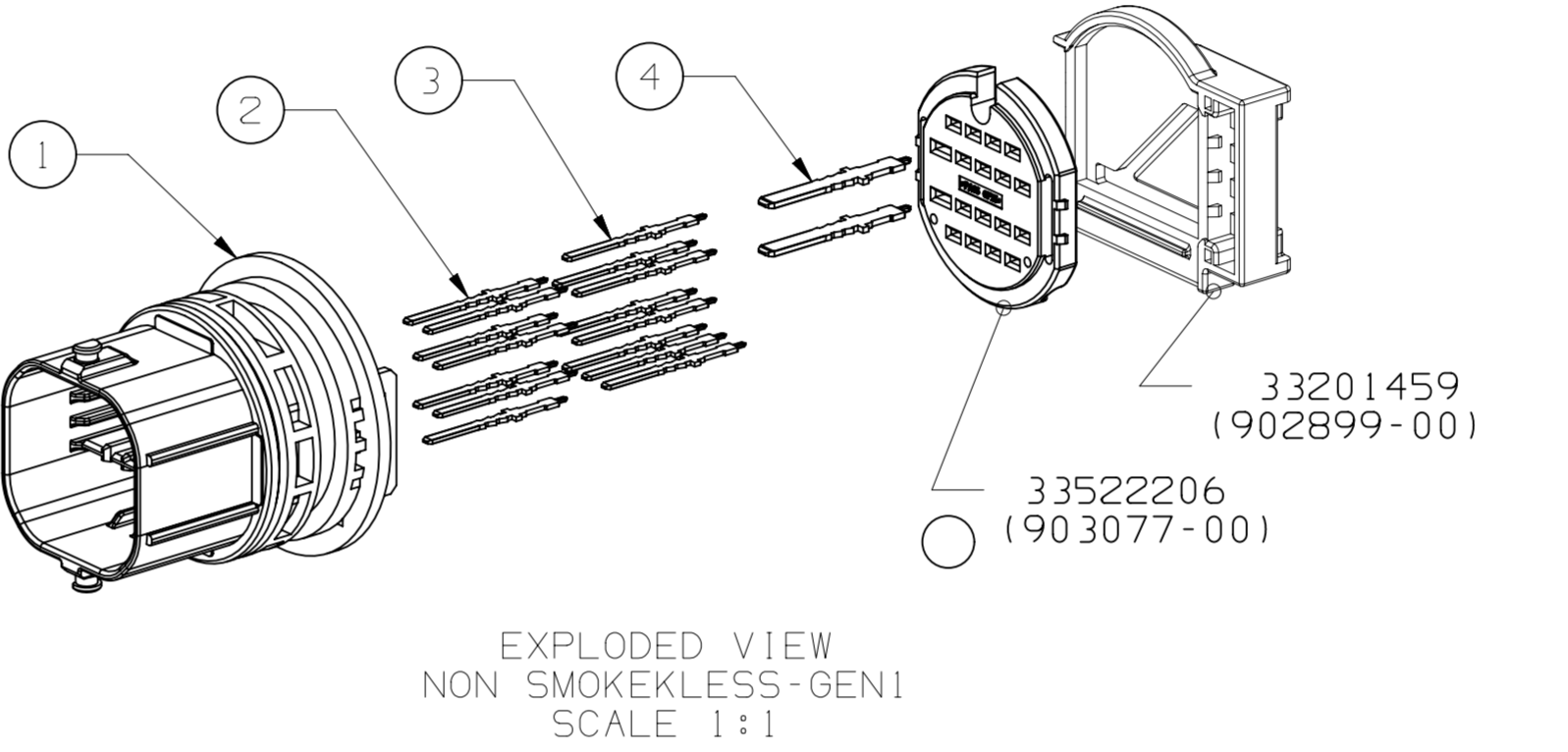
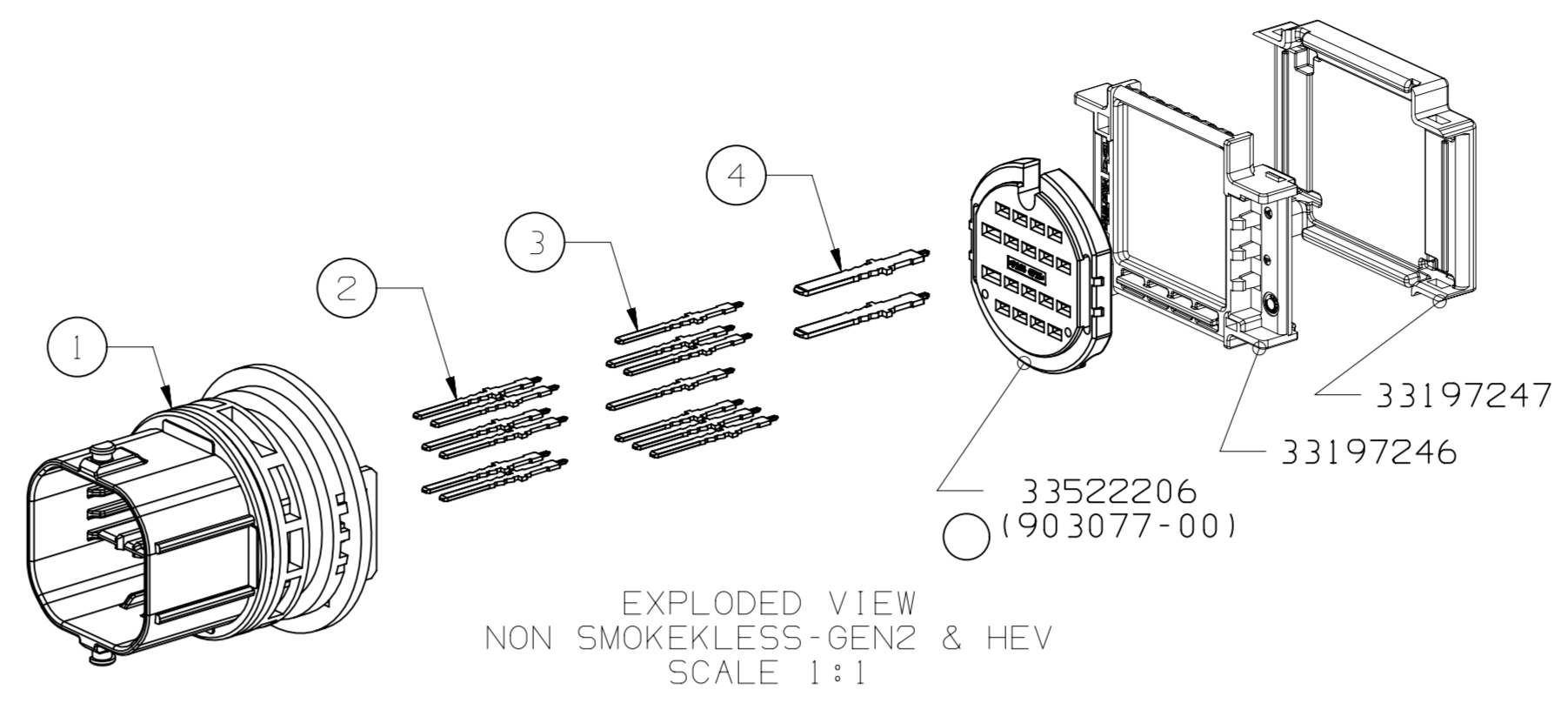


NON SMOKELESS / PIN ARRANGEMENT
HEV TYPE / ROYAL BLUE COLOR
(35033228 : ASSY / 35033229 : HOUSING)

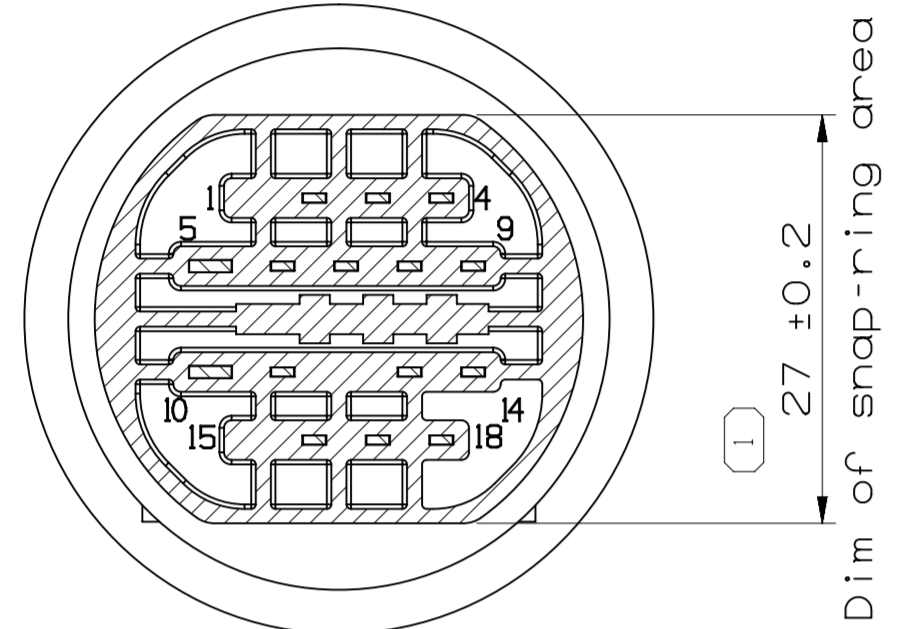
Gold plating male pin position
(No:3, 4, 8, 9, 13, 14)



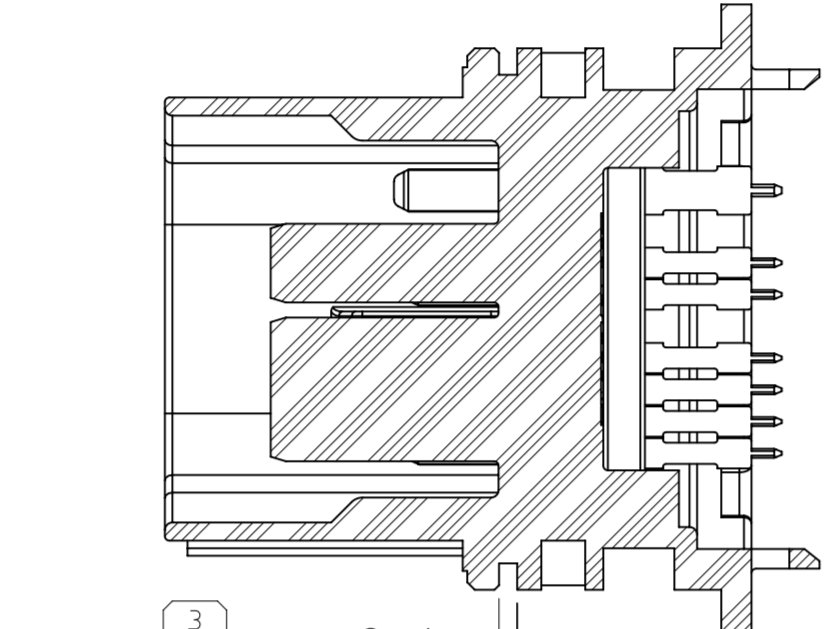
SYMBOL DEFINITION		TOTAL NO OF INSPECTIONS REQUIRED		MISSING SYMBOLS	
A DIMENSION WITHOUT AN INSPECTION REPORT SYMBOL DOES NOT REQUIRE INSPECTION. IT MAY BE CONTROLLED ON THE INDIVIDUAL COMPONENT DRAWING.		15		NO MISSING SYMBOL NUMBER	
		LAST NO. USED		14	



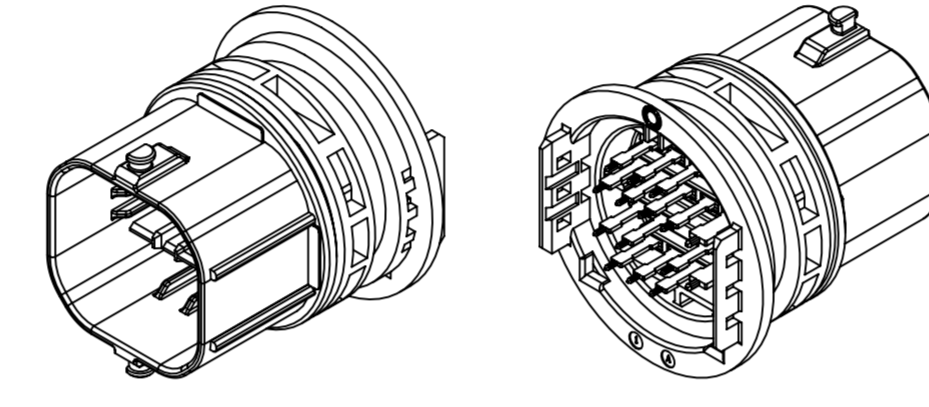
DWG STATUS				ZONE		REVISION HISTORY		AUTH		DR		APV/D	
DATE	STG	REV	N/P	CHG									
04N014	R	01	-			INITIAL RELEASE				CSW	PJH	LMY	
220C15	R	02	-			CHANGED OF TOLORANCE (TM CASE HOLE) NUMBER 14. (ONLY GEN2 TYPE)				CSW	-	PJH	
17FE16	R	03	-			ADD TO COLOR OF MALE HOUSING (DARK GRAY)				CSW	-	PJH	
04JA17	R	04	-			ADD TO HEV TYPE (PD17-001) ADDED PN 35033228 & 35033229 FOR BLANKED TERMINALS #1, #12.				CSW	SHT	PJH	
20N017	R	04	AA			ADD TO COLOR OF MALE HOUSING (LIGHT GRAY)		PD17-193		CSW	PSJ	PJH	
28DE17	R	04	AB			DELETE OF GEN2 HOUSING (DARK GRAY) TYPE		PD17-207		CSW	PSJ	PJH	
200C20	R	04	AC	-	7C	PART NUMBER TABLE CORRECTION MOLIFY OF DELPHI P/N, 503002-00 (33201475 TO 33511947) 503000-00 (33201474 TO 33511938) 503000-00 (33201474 TO 33511937) 5671210 (33201456 TO 33523864) F941210 (33201454 TO 33512311)		2020-6658		CSW	SJW	PJH	



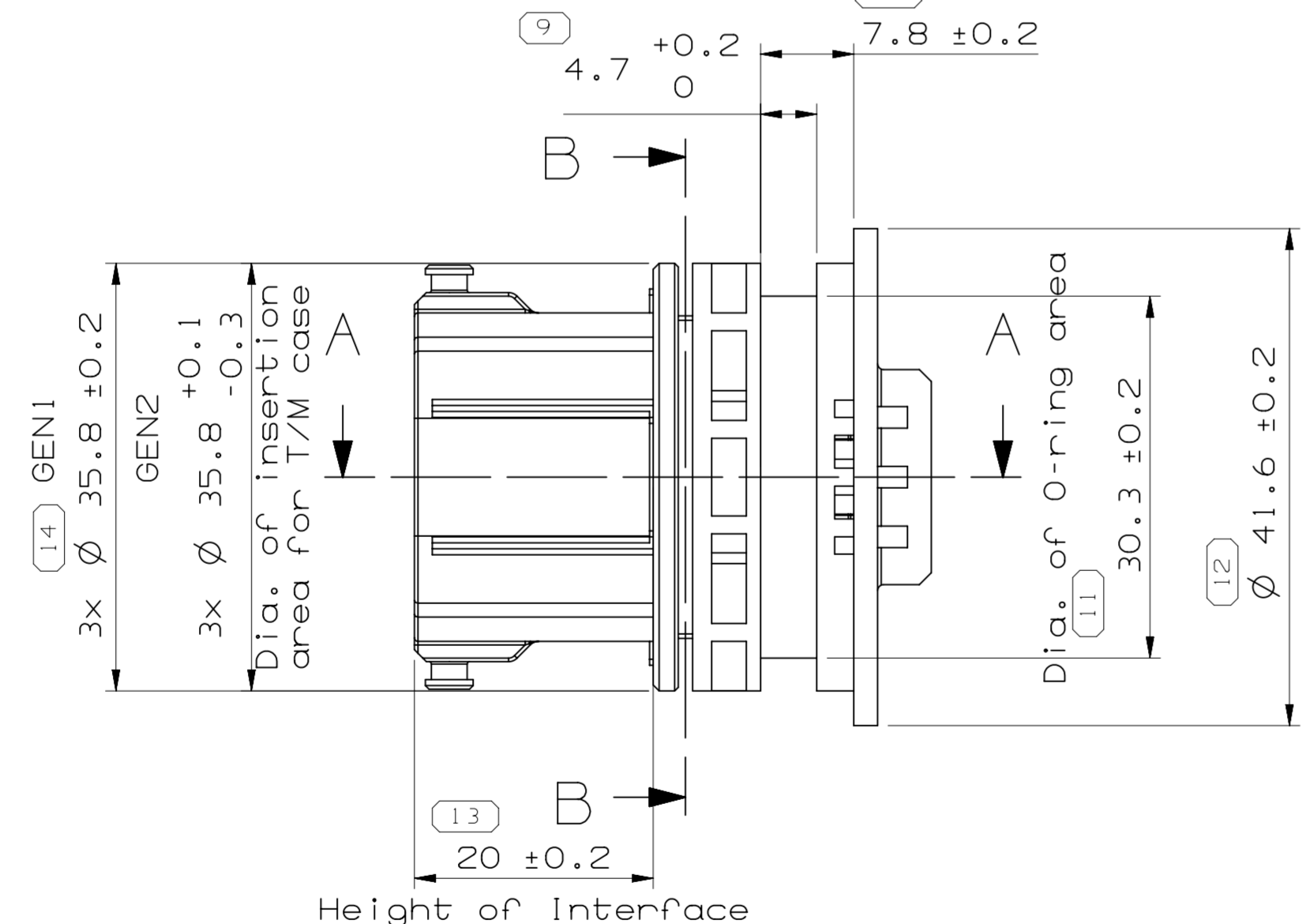
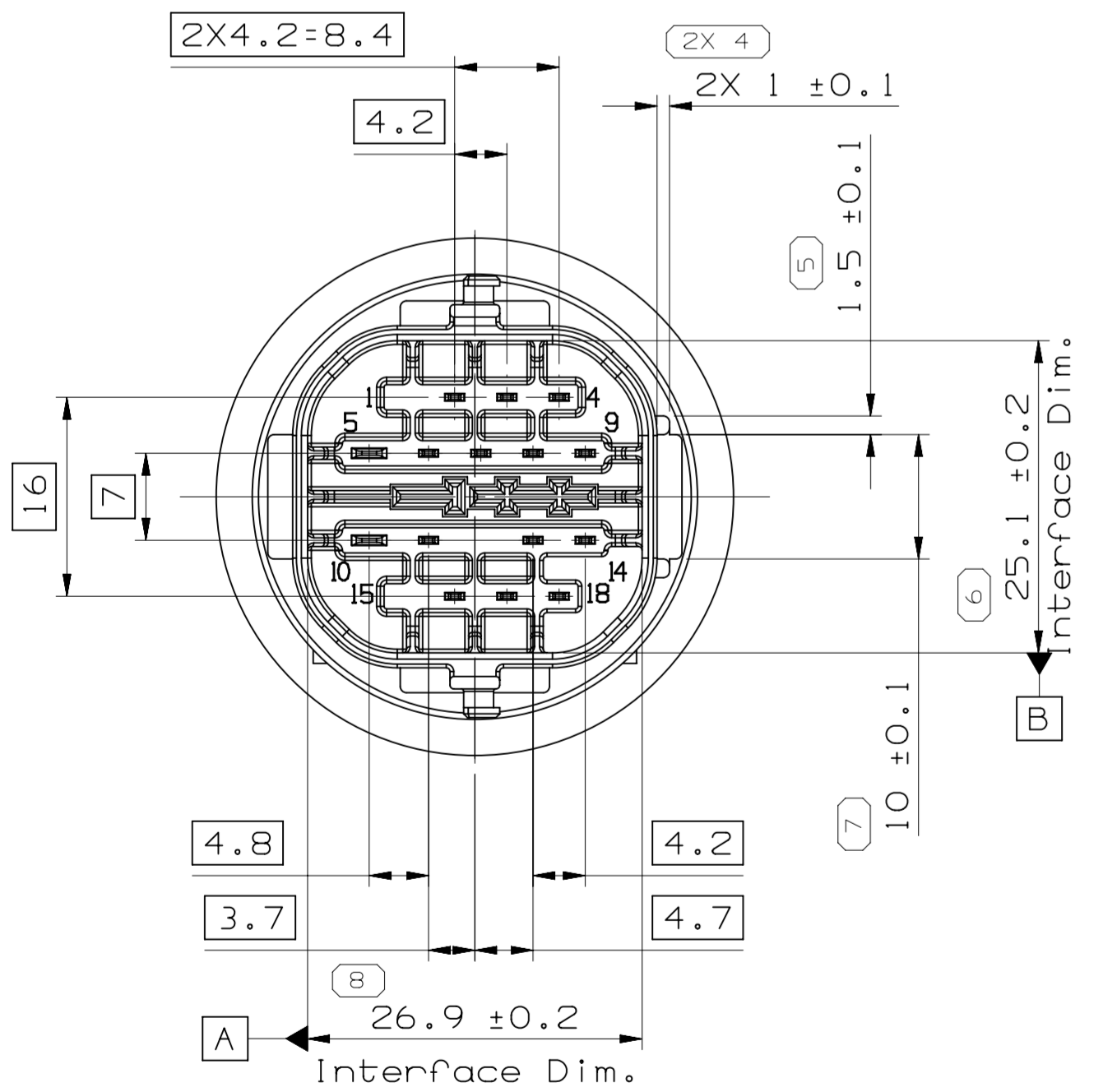
SECTION B-B



SECTION A-A



ISOMETRIC VIEW
SCALE 1:1



REP.	QTY.	DESCRIPTION	MATERIAL	COLOR	FCI P/N	DELPHI P/N	REMARK
	4	2.8 MALE PIN	CuZn30	-	503002-00	33511947	Sn plating
	3	1.5 MALE PIN	CuZn30	-	503000-00	33511938	Sn plating
	2	1.5 MALE PIN	CuZn30	-	503001-00	33511937	Au plating
	1	18WAY MALE HOUSING	PA66 GF25	BROWN	5671210	33523864	-
	-	18WAY MALE HOUSING ASSY	-	-	F941210	33512311	GEN1 (BROWN)
	4	2.8 MALE PIN	CuZn30	-	503002-00	33511947	Sn plating
	3	1.5 MALE PIN	CuZn30	-	503000-00	33511938	Sn plating
	2	1.5 MALE PIN	CuZn30	-	503001-00	33511937	Au plating
	1	18WAY MALE HOUSING	PA66 GF25	BLACK	-	33197248	-
	-	18WAY MALE HOUSING ASSY	-	-	-	33197249	GEN2 (BLACK)
	4	2.8 MALE PIN	CuZn30	-	503002-00	33511947	Sn plating
	3	1.5 MALE PIN	CuZn30	-	503000-00	33511938	Sn plating
	2	1.5 MALE PIN	CuZn30	-	503001-00	33511937	Au plating
	1	18WAY MALE HOUSING	PA66 GF25	DARK GRAY	-	33308851	-
	-	18WAY MALE HOUSING ASSY	-	-	-	33308850	GEN2 (DARK GRAY)
	4	2.8 MALE PIN	CuZn30	-	503002-00	33511947	Sn plating
	3	1.5 MALE PIN	CuZn30	-	503000-00	33511938	Sn plating
	2	1.5 MALE PIN	CuZn30	-	503001-00	33511937	Au plating
	1	18WAY MALE HOUSING	PA66 GF25	ROYAL BLUE	-	35152840	-
	-	18WAY MALE HOUSING ASSY	-	-	-	35149337	ECONOMIC (LIGHT GRAY)
REP.	QTY.	DESCRIPTION	MATERIAL	COLOR	FCI P/N	DELPHI P/N	REMARK
	4	2.8 MALE PIN	CuZn30	-	503002-00	33511947	Sn plating
	3	1.5 MALE PIN	CuZn30	-	503000-00	33511938	Sn plating
	2	1.5 MALE PIN	CuZn30	-	503001-00	33511937	Au plating
	1	18WAY MALE HOUSING	PA66 GF25	LIGHT GRAY	-	35152840	-
	-	18WAY MALE HOUSING ASSY	-	-	-	35149337	ECONOMIC (LIGHT GRAY)
REP.	QTY.	DESCRIPTION	MATERIAL	COLOR	FCI P/N	DELPHI P/N	REMARK
	4	2.8 MALE PIN	CuZn30	-	503002-00	33511947	Sn plating
	3	1.5 MALE PIN	CuZn30	-	503000-00	33511938	Sn plating
	2	1.5 MALE PIN	CuZn30	-	503001-00	33511937	Au plating
	1	18WAY MALE HOUSING	PA66 GF25	ROYAL BLUE	-	35152840	-
	-	18WAY MALE HOUSING ASSY	-	-	-	35149337	ECONOMIC (LIGHT GRAY)

Tolerance Class medium (m)						
Permissible deviations for basic size range (mm)						
0.5 *	over 3 up to 3	over 6 up to 6	over 30 up to 120	over 120 up to 400	over 400 up to 1000	over 1000 up to 2000
±0.1	±0.1	±0.2	±0.3	±0.5	±0.8	±1.2
Permissible deviations for basic size range (mm)						
0.5 *	up to 3	over 3 up to 6	over 6			
±0.2		±0.5	±1			
Permissible deviations for ranges of lengths, in mm, of the shorter side of the angle concerned						
up to 10	over 10 up to 50	over 50 up to 120	over 120 up to 400	over 400		
±1°	±0° 30'	±0° 20'	±0° 10'	±0° 5'		

DRAWING NUMBER 33197250						
SIZE A2x3	SCALE 2:1	FRAME NO 2 OF 2	SHEET NO 1 OF 1	REV R 04	N/P AC	AC

- NOTES:
1. NOT SPECIFIED TOLERANCE MUST MEET DIN ISO 2768 (m)
 2. MUST BE FREE OF CRACK, FLOW MARK, FLASH, BURR ETC THAT AFFECT FUNCTION OF PRODUCT
 3. UNLESS OTHERWISE SPECIFIED TO VENDOR SPECIFICATION.

LINE DRAWN THROUGH A PART NUMBER INDICATES THAT PHYSICAL PARTS ARE NOT AVAILABLE FOR ORDERING.

PART NUMBERS THAT DO NOT HAVE A LINE PRESENT INDICATE THAT PHYSICAL PARTS ARE AVAILABLE FOR ORDERING.

CONTACT APTIV SALES TO ASSURE AVAILABILITY OF PARTS.

DWG TYPE: PART DRAWING

STYLE: D

VOLUME (CM³):

DISTR CODE: D

UNLESS OTHERWISE SPECIFIED THIS DOCUMENT IS IN ACCORDANCE WITH ASME Y14.5M-1994 AS AMENDED BY THE ISO GLOBAL DIMENSIONING AND TOLERANCING ADDENDUM (2003). SEPARATE PATTERNS OF FEATURES MAY BE GAGED SEPARATELY REGARDLESS OF DATUM REFERENCES.

ALL DIMENSIONS ARE IN MILLIMETERS

THIRD ANGLE PROJECTION

DO NOT SCALE

USE MATH DATA

PROCESS SENSITIVE DIMENSION

DIMENSIONS ENCLOSED IN () INDICATE REFERENCE DIMENSIONS AND NO TOLERANCE LIMITS ARE ESTABLISHED.

DIMENSIONAL RANGE (MM)	CHART	IT
FROM > 0	> 20	> 30
TO 1	20	30
20	30	40
30	40	50
40	50	60
50	60	70
60	70	80
70	80	90
80	90	100
90	100	120
100	120	150
120	150	200
150	200	250
200	250	300
250	300	400

TOLERANCE UNLESS OTHERWISE SPECIFIED

ANGULAR TOLERANCE	±
> 0.15	±0.2
> 0.2	±0.3
> 0.3	±0.4
> 0.4	±0.5
> 0.5	±0.6
> 0.6	±0.8
> 0.8	±1
> 1	±1.2

• APTIV •

DELPHI PACKARD ELECTRICAL/ELECTRONIC ARCHITECTURE

Copyright © 2014 Delphi Corporation and/or its affiliates. All rights reserved.

THIS DRAWING IS THE PROPERTY OF DELPHI CORPORATION AND CONTAINS DELPHI CONFIDENTIAL INFORMATION. THE REPRODUCTION, DISTRIBUTION AND UTILIZATION OF THIS DOCUMENT OR ITS RELATED CAD DATA, AS WELL AS COMMUNICATION OF ANY CONTENT TO OTHERS, WITHOUT EXPRESS AUTHORIZATION, IS PROHIBITED.

DR	DATE
APVD1: CHOI, SEUNG-WON	04N014
APVD2: PARK, JOO-HYUN	04N014
APVD3: LEE, MIN-YOUNG	04N014
APVD4	
APVD5	

SUBSTANCES OF CONCERN AND RECYCLED CONTENT PER DELPHI 10949001

MATERIAL:

DRAWING NAME
18WAY SEALED MALE HOUSING ASSY

DRAWING NUMBER
33197250

SIZE A2x3	SCALE 2:1	FRAME NO 1 OF 2	SHEET NO 1 OF 1	STG R	REV 04	N/P AC
--------------	--------------	--------------------	--------------------	----------	-----------	-----------

33197250