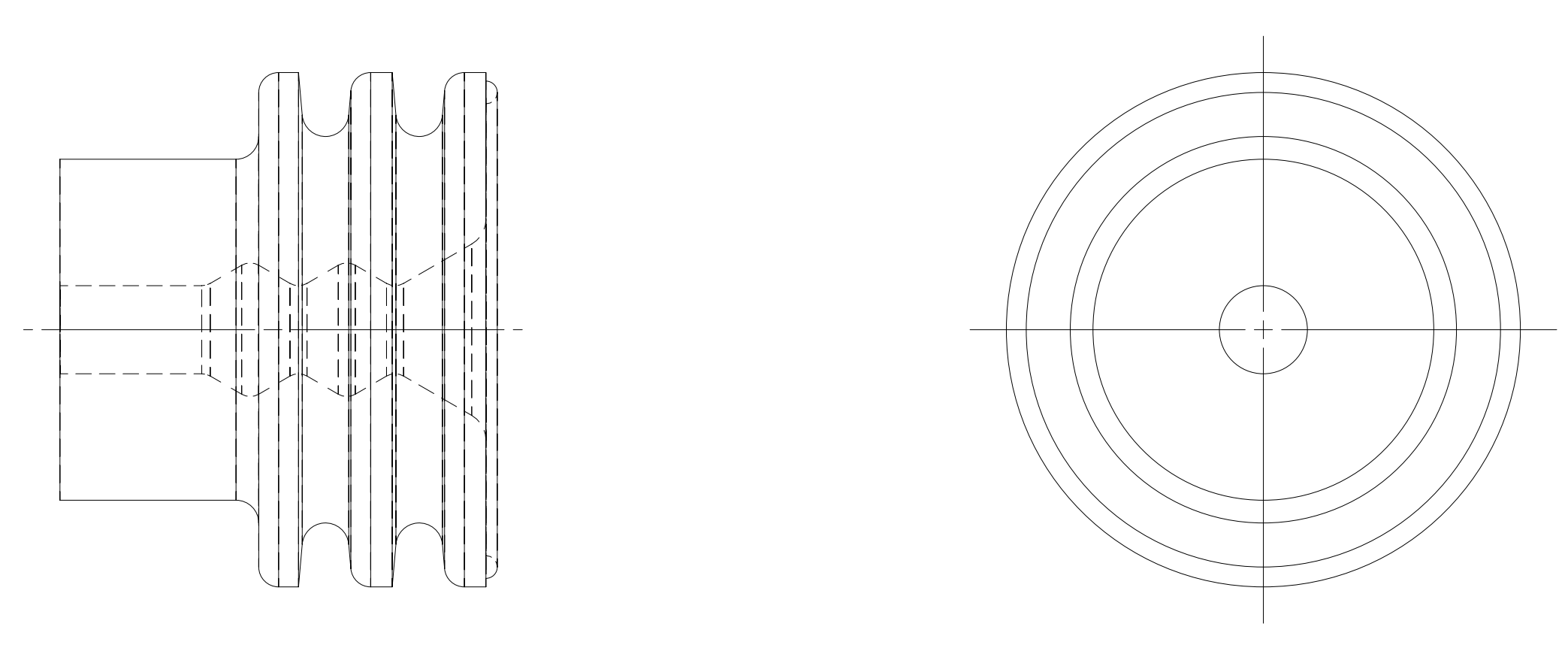


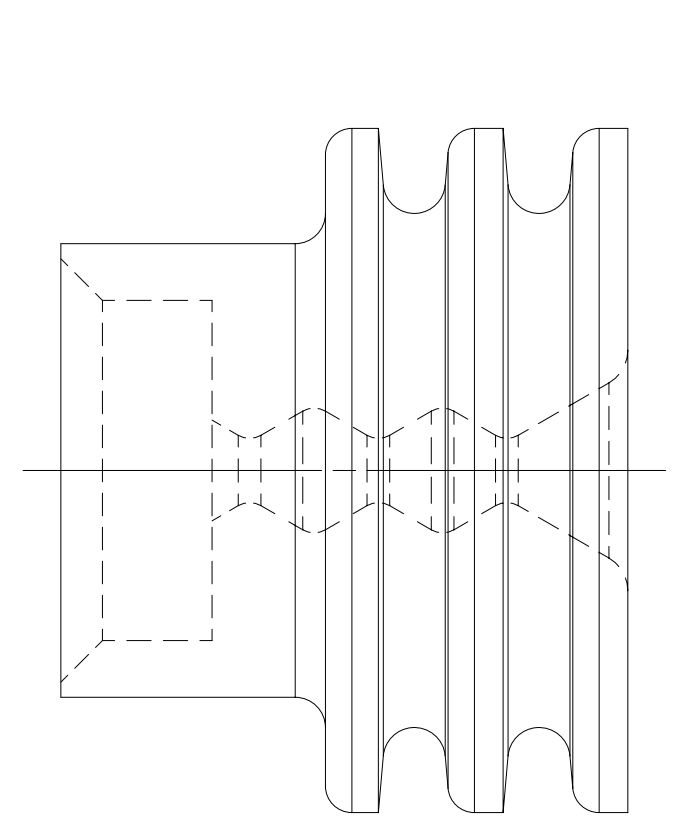
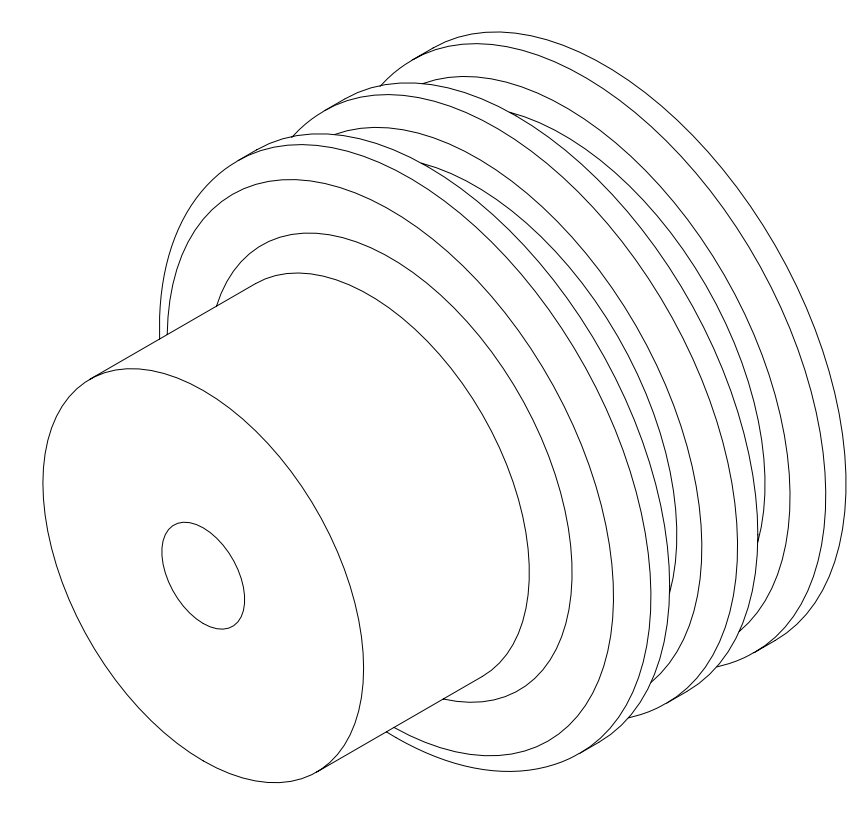
OPTIONAL CONSTRUCTION 1
(ANTI-STICK RING)



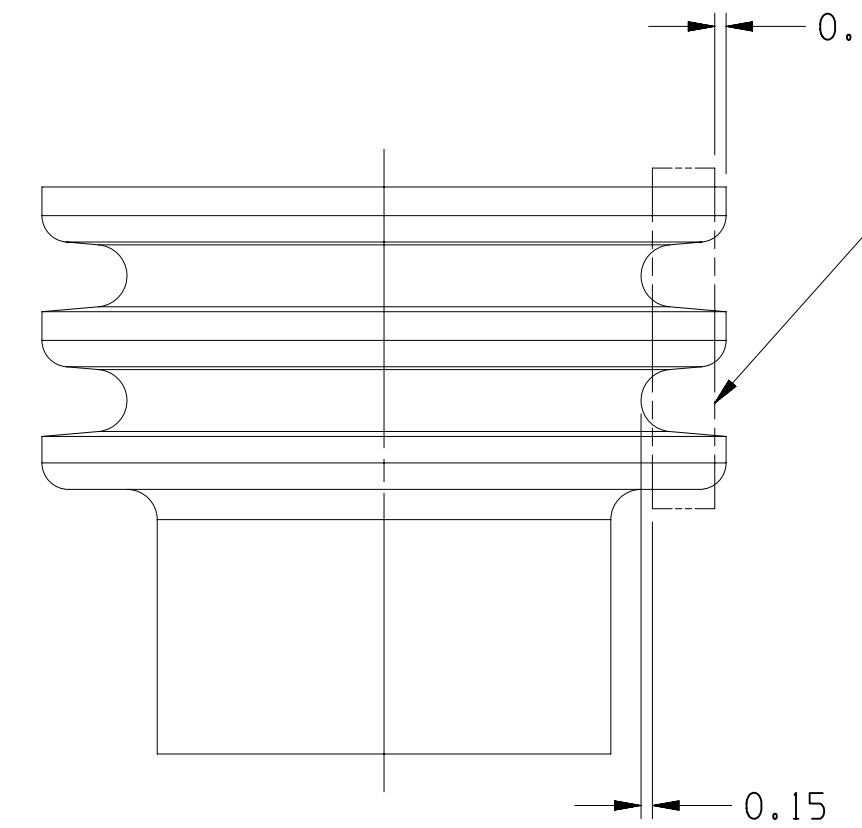
OPTIONAL CONSTRUCTION 2
THIS IS THE PREFERRED CONSTRUCTION FOR NEW TOOL BUILDS
(ANTI-STICK RING)

SYMBOL DEFINITION		TOTAL NO OF INSPECTIONS REQUIRED	5
A DIMENSION WITHOUT AN INSPECTION REPORT SYMBOL DOES NOT REQUIRE INSPECTION. IT MAY BE CONTROLLED ON THE INDIVIDUAL COMPONENT DRAWING.		LAST NO. USED	5

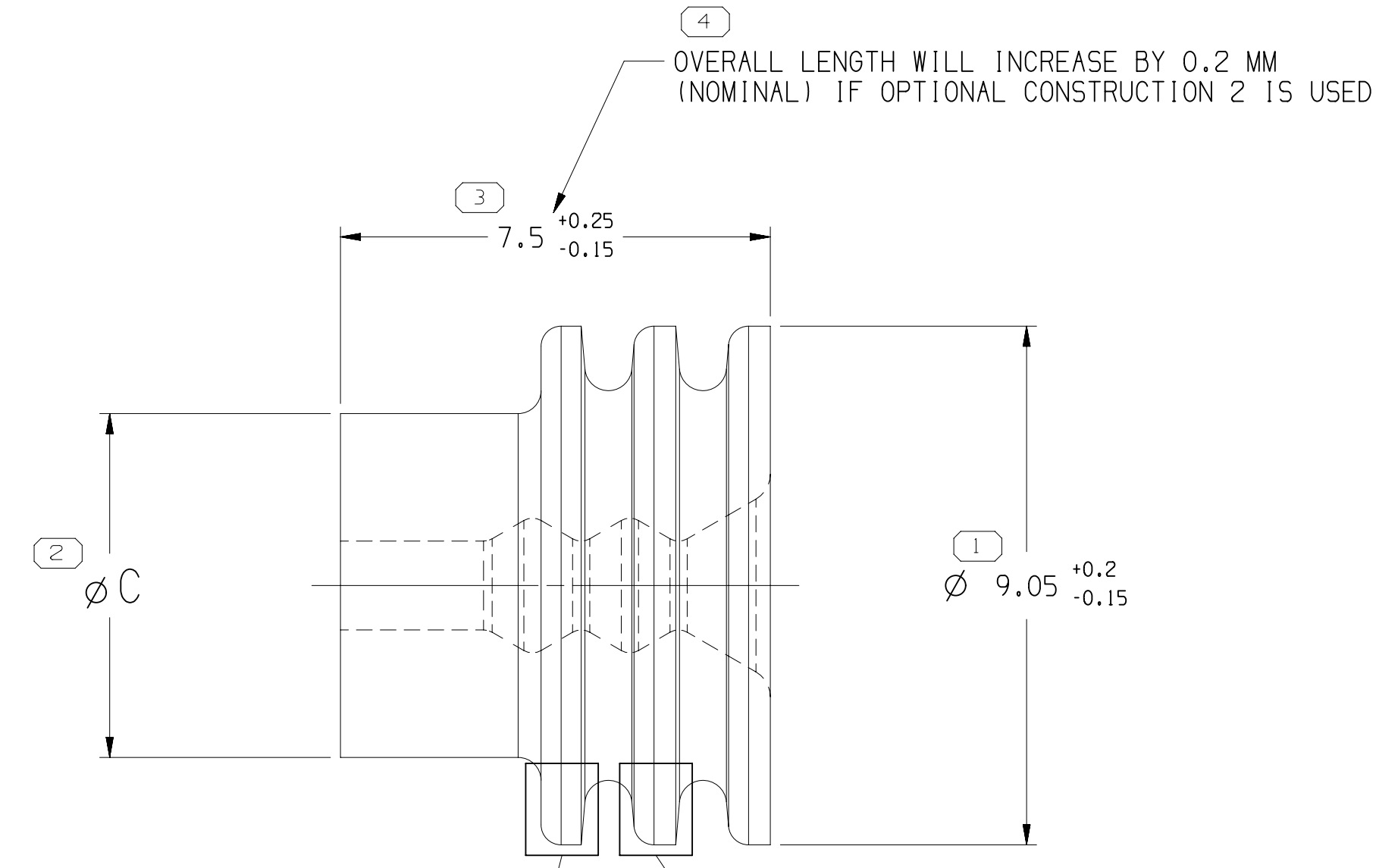
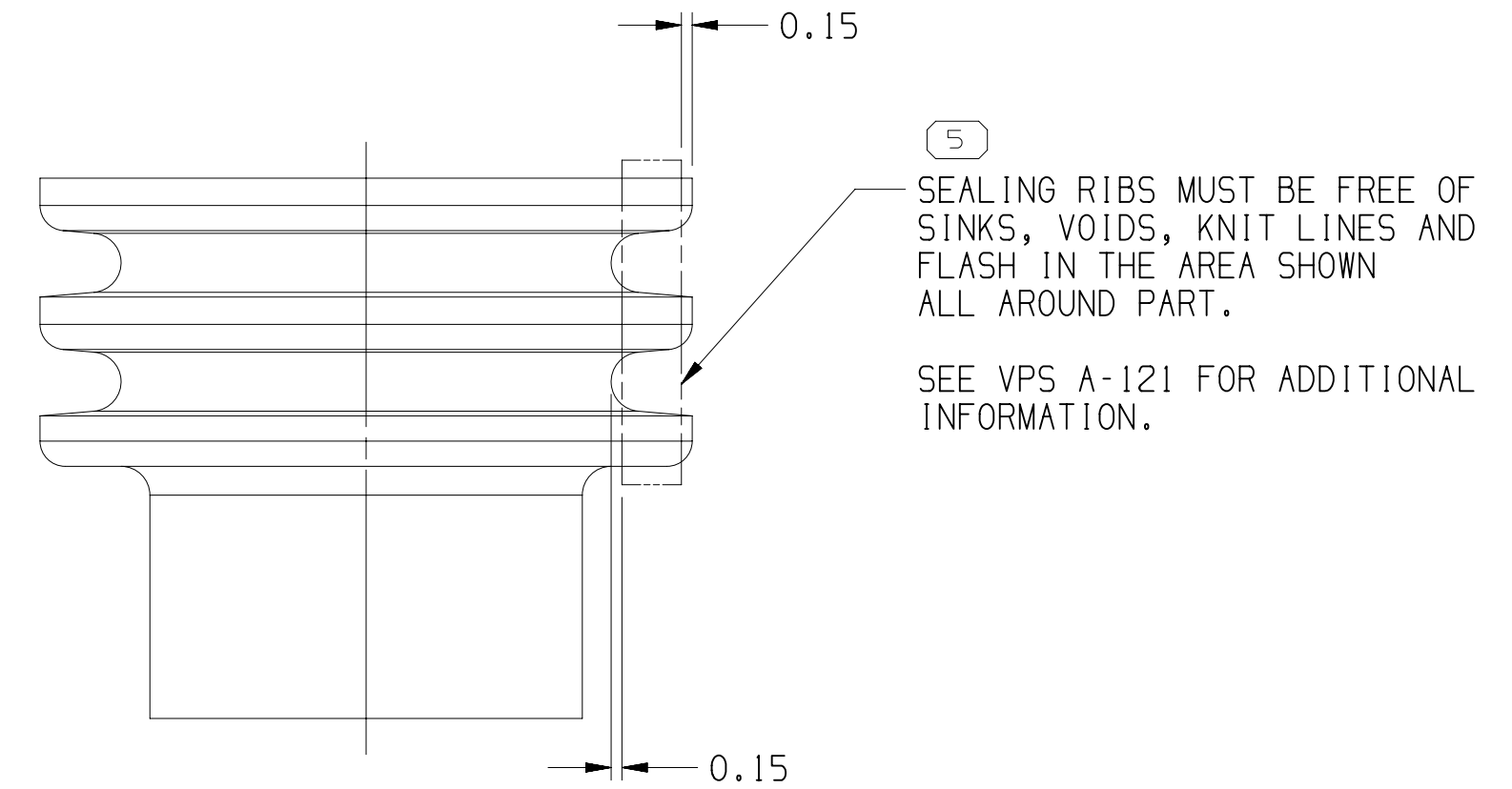
DWS STATUS				MISSING SYMBOLS			NO MISSING SYMBOL NUMBER			
DATE	STG	REV	W/P	CHG	ZONE	REVISION HISTORY	AUTH	DR	APVD	APPD
30N099	R	001	-	-	-	ALL PARTS - REDRAWN TO PD: 15324987-92	990005	JLZ	GMC	RH
07N000	R	002	-	-	-	15324987-92 - REVISED	202978	JLZ	EAR	JR
15MR04	R	03	-	-	-	12052930, 12048441, 12048442 & 12048443 PER NIN EWO BOLTS; ALL PARTS - UPDATED MATERIAL SPECS	251701	RH	RH	MR
17N004	-	04	-	-	-	12048441 THRU 12048443 & 12052930 - REVISED DRAWING CHART	261371	JS	JS	MR
01FE05	R	05	-	-	-	REVISED TOLERANCE	263812	MM	MM	MR
09MR06	R	06	-	-	-	15324987-92 - UPDATED POM ATTRIBUTES	276506	JBD	AUG	JES
26MY06	R	07	-	-	-	REMOVED TYPES 204, 205 & 206 AND OPTIONAL CONSTRUCTION VIEWS; ALL ACTIVE PARTS - 7.5 +0.25/-0.15 WAS 9.05 +/-0.15, 9.05 +0.2/-0.15 WAS 9.05 +/-0.15; 12048433, 12052452-53, 12052931, 12065703, 12162068, 12048441-43, 12052930, 12034170 & 12162067 - RESTRICTED; 15324987-90 & 15324991-92 - WERE TYPE 204 & 206, UPDATED MAT'L SPEC AND ADDED ALTERNATE MAT'L SPEC	281070	JPH	JWM	MPR
17AU06	R	08	-	-	-	15324992 - OBSOLETE	283517	CCV	AUG	MR
03OC06	R	09	-	-	-	ALL ACTIVE PARTS - ADDED SEALING RIBS LABEL, OVERALL LENGTH LABEL, SEALING RIBS VIEWS & NOTE, ANTI-STICK RING OPTIONAL CONSTRUCTION VIEWS AND DIMS (2 PLCS); 12162067-68 - WERE RESTRICTED	285210	JBD	FRG	MPR
24JL09	R	10	-	-	-	ALL PARTS - ADDED VOLUME COLUMN AND UPDATED MATERIAL CALLOUTS	408462	ECB	AUG	MRR
15JN10	R	11	-	-	-	12048433, 12052452-53, 12052931, 12065703, 12124843 & 12162068 - MOVED TO SHT 6; 12048441-43 & 12052930 - OBSOLETE AND ADDED "REPLACED BY" COLUMN ON CHART	411067	ASM	JAA	MRR
20SE18	R	12	-	-	-	15324992 - RE-INSTATED ADDING ANTI-STICK RING AND UPDATED MAT'L CALLOUT	441097	LVD	JAA	VRG
08AU19	R	13	-	-	-	12162067 - OBSOLETE AND ADDED "REPLACED BY" INFO	444186	DAV	EVV	CFH
05OC21	R	14	-	-	-	ALL ACTIVE PARTS - REVISED "TO IMPROVE SEAL" NOTE	555461	GDH	JAA	ACR



TYPE 202
SAME AS TYPE 201
EXCEPT AS SHOWN



TYPE 203
SAME AS TYPE 201
EXCEPT AS SHOWN



TYPE 201

NOTES

- 1. UNLESS OTHERWISE SPECIFIED AND/OR INDICATED: DIMENSIONS ARE TO FACE OF VIEW SHOWN AND AUTOMATICALLY ROUNDED BY COMPUTER FOR INSPECTION. (SEE MATH MODEL FOR PRECISE DIMENSIONS.) FOR ALL OTHER DIMENSIONS NOT SHOWN BUT REQUIRED FOR TOOL BUILD, SEE MATH MODEL FOR PRECISE TOOL PATH DATA.
- 2. PARTS ARE TO BE PACKAGED IN SEALED PLASTIC BAGS. GROSS WEIGHT INCLUDING CARTON IS NOT TO EXCEED 34 POUNDS.
- 3. DESIGNED AS A PUSH ON SEAL. SEAL SLIDES OVER INSULATION WINGS. A TERMINAL CANNOT BE CRIMPED OVER THIS SEAL.
- 4. TO IMPROVE SEAL PROCESSING ON SLIPPERY OR SMOOTH CABLE INSULATION, THE APPLICATION ENGINEER MAY SPECIFY THE NEXT SMALLER SEAL SIZE P.N. IN PLACE OF THE INDICATED SEAL FOR THE "CABLE O.D." LISTED IN THE CHART.
- 5. 12110210 CAN BE REPLACED BY ANY SEAL ON THIS PAGE IN CONJUNCTION WITH 12124471 OR 12124598 TERMINAL DEPENDING ON CABLE OD.
- 6. THIS PRODUCT IS NOT CATEGORIZED AS AN APPEARANCE ITEM, MINOR IMPERFECTIONS INCLUDING, BUT NOT LIMITED TO, FLOW MARKS, COLOR BLEMISHES, GATE VESTIGE, AND SOFT FLASH THAT DO NOT AFFECT THE FIT, FORM, OR FUNCTION OF THE PART ARE PERMISSIBLE PER EANP_4-3.CS-01_LEN.
- 7. SEE 12010295 SHEET 6 FOR MYLAR ASSEMBLY INFORMATION.
- 8. CORPORATE BRAND TO BE APPLIED TO PRODUCT DESIGN PER THE LATEST REVISION OF ESD S1085201.

PART NO	REV	N/P	MATERIAL SPECIFICATION AND COLOR	TYPE	CABLE O.D., +0.05 SEE NOTE #4	CAVITY ID	EQUIVALENT CABLE SEAL	VOLUME	REPLACED BY
15324992	02	AA	SILICONE METHYL/VINYL RED-BROWN	203	1.7-1.29	6	8.5	-	0.299
15324991	01	AG	SILICONE METHYL/VINYL YELLOW	203	2.15-1.6	6	8.5	12052930	0.292
15324990	01	AG	SILICONE METHYL/VINYL PURPLE	201	4.5-3.61	6	8.5	12048441	0.235
15324989	01	AG	SILICONE METHYL/VINYL RED	201	3.76-2.81	6	8.5	12048442	0.264
15324988	01	AG	SILICONE METHYL/VINYL WHITE	201	2.85-2.01	6	8.5	12048441	0.287
15324987	01	AG	SILICONE METHYL/VINYL ORANGE	201	5.16-4.4	6.5	8.5	12034170	0.223
12162067	A9	-	SILICONE METHYL/VINYL PINK	203	1.7-1.29	6	8.5	-	0.299
12110210	B4	-	SILICONE METHYL/VINYL GREEN	202	2.12-1.67	6.5	8.5	-	0.267
12034170	B7	-	SILICONE METHYL/VINYL ORANGE	201	5.16-4.4	6.5	8.5	15324987	0.223
12052930	05	AF	SILICONE METHYL/VINYL YELLOW	203	2.15-1.6	6	8.5	15324991	0.292
12048312	A3	-	SILICONE METHYL/VINYL BLUE	201	4.21-3.5	6.5	8.5	-	0.257
12048443	03	AE	SILICONE METHYL/VINYL PURPLE	201	4.5-3.61	6	8.5	15324990	0.235
12048442	03	AE	SILICONE METHYL/VINYL RED	201	3.76-2.81	6	8.5	15324989	0.264
12048441	03	AE	SILICONE METHYL/VINYL WHITE	201	2.85-2.01	6	8.5	15324988	0.287

DIMENSIONAL RANGE (MM)				CHART				ET		
FROM	> 0	> 20	> 30	> 70	> 100	> 150	> 200	> 250	> 300	
TO	20	70	100	150	200	250	300	400	-	
TOLERANCE UNLESS OTHERWISE SPECIFIED										
ANGULAR TOLERANCE 12°										

LINE DRAWN THROUGH A PART NUMBER INDICATES THAT PHYSICAL PARTS ARE NOT AVAILABLE FOR ORDERING. PART NUMBERS THAT DO NOT HAVE A LINE PRESENT INDICATE THAT PHYSICAL PARTS ARE AVAILABLE FOR ORDERING. CONTACT APTECH SALES TO ASSURE AVAILABILITY.

DWG TYPE: PART DRAWING

STYLE: SEE CHART

VOLUME (CM): D

DISTR CODE: D

UNLESS OTHERWISE SPECIFIED THIS DOCUMENT IS IN ACCORDANCE WITH ASME Y14.5M-1994 AS INDEXED BY THE OH GLOBAL DIMENSIONING AND TOLERANCING ADDENDUM 2002. SEPARATE PATTERNING OF FEATURES MAY BE MADE SEPARATELY REGARDLESS OF DATUM REFERENCES.

ALL DIMENSIONS ARE IN MILLIMETERS

REFERENCE:

THIRD ANGLE PROJECTION

DO NOT SCALE

USE MATH DATA

NX

APTIV
CONNECTION SYSTEMS
WARREN, OH
COPYRIGHT 1989 APTIV. ALL RIGHTS RESERVED.

THIS DRAWING IS THE PROPERTY OF APTIV AND CONTAINS APTIV CONFIDENTIAL INFORMATION. THE REPRODUCTION, DISTRIBUTION AND UTILIZATION OF THIS DOCUMENT OR ITS RELATED CAD DATA, AS WELL AS COMMUNICATION OF ANY CONTENT TO OTHERS, WITHOUT EXPRESS AUTHORIZATION, IS PROHIBITED.

DR: J. HOUGELMAN
APVD: T. MUDREY
APVD: A. HERMANN
APVD:

SUBSTANCES OF CONCERN AND RECYCLED CONTENT PER APTIV 10949001

MATERIAL: SEAL CHART

DRAWING NAME: TAXI SEAL CBL IW N/P

DRAWING NUMBER: 12010295

SIZE: A0
SCALE: 10:1
FRAME NO: 1
SHEET NO: 2 OF 2
STG REV N/P: 1 14 -