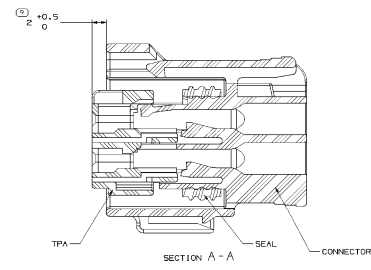
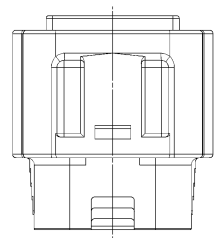
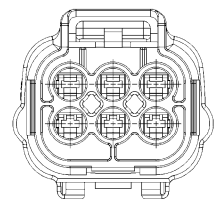
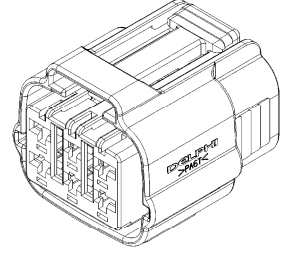
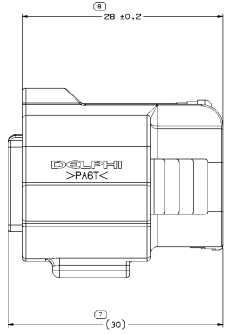
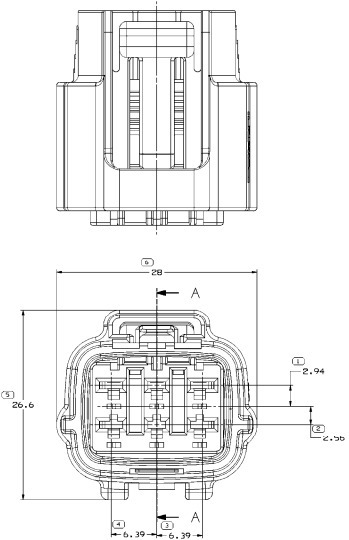


SYMBOL DEFINITION		MISSING SYMBOLS		REV STATUS		REVISION HISTORY		AUTH	
A DIMENSION WITHOUT AN INSPECTION REPORT SYMBOL DOES NOT REQUIRE INSPECTION, IT MAY BE CONTROLLED ON THE INDIVIDUAL COMPONENT DRAWING.	TOTAL NO OF INSPECTIONS REQUIRED	NO MISSING SYMBOL NUMBER	DATE	BY	REASON	DATE	BY	DATE	BY
	9		08/07	R	RI	-	RELEASED	20070320C	WJ
			05/01	R	RI	AA		01M 0P VMS 2007-0-15	418077
	LAST NO. USED								
	0								



- NOTES
- UNLESS OTHERWISE SPECIFIED AND/OR INDICATED: DIMENSIONS ARE TO FACE OF VIEW SHOWN AND AUTOMATICALLY ROUNDED BY COMPUTER FOR INSPECTION (SEE MATH MODEL FOR PRECISE DIMENSIONS). FOR ALL OTHER DIMENSIONS NOT SHOWN BUT REQUIRED FOR TOOL BUILD, SEE MATH MODEL FOR PRECISE TOOL PATH DATA.
 - THIS PART ACCEPTS THE FOLLOWING COMPONENTS OR EQUIVALENT: SEE CHART
 - FOR APPLICATION DATA SEE THE APPLICATION DRAWING.

PART NO	PART NAME	REV NO
1360510	SEAL	
1360510	CONNECTOR	

DATE	BY	CHKD	APPV
08/07	R	RI	AA

PART DRAWING		DATE	
DATE	BY	CHKD	APPV
08/07	R	RI	AA
DESIGNED BY: ZHENGLIANG CHEN		CHECKED BY: DBM027	
DRAWN BY: YIANNEL GAO		CHECKED BY: DBM027	
DATE: 08/07		SCALE: 1:1	
SHEET NO: 1		TOTAL SHEETS: 1	
PART NAME: ASM CONN 0 F 090 SLD BASE 6			
PART NUMBER: 13608508		REV: 0	
REV	DATE	BY	APPV
0			