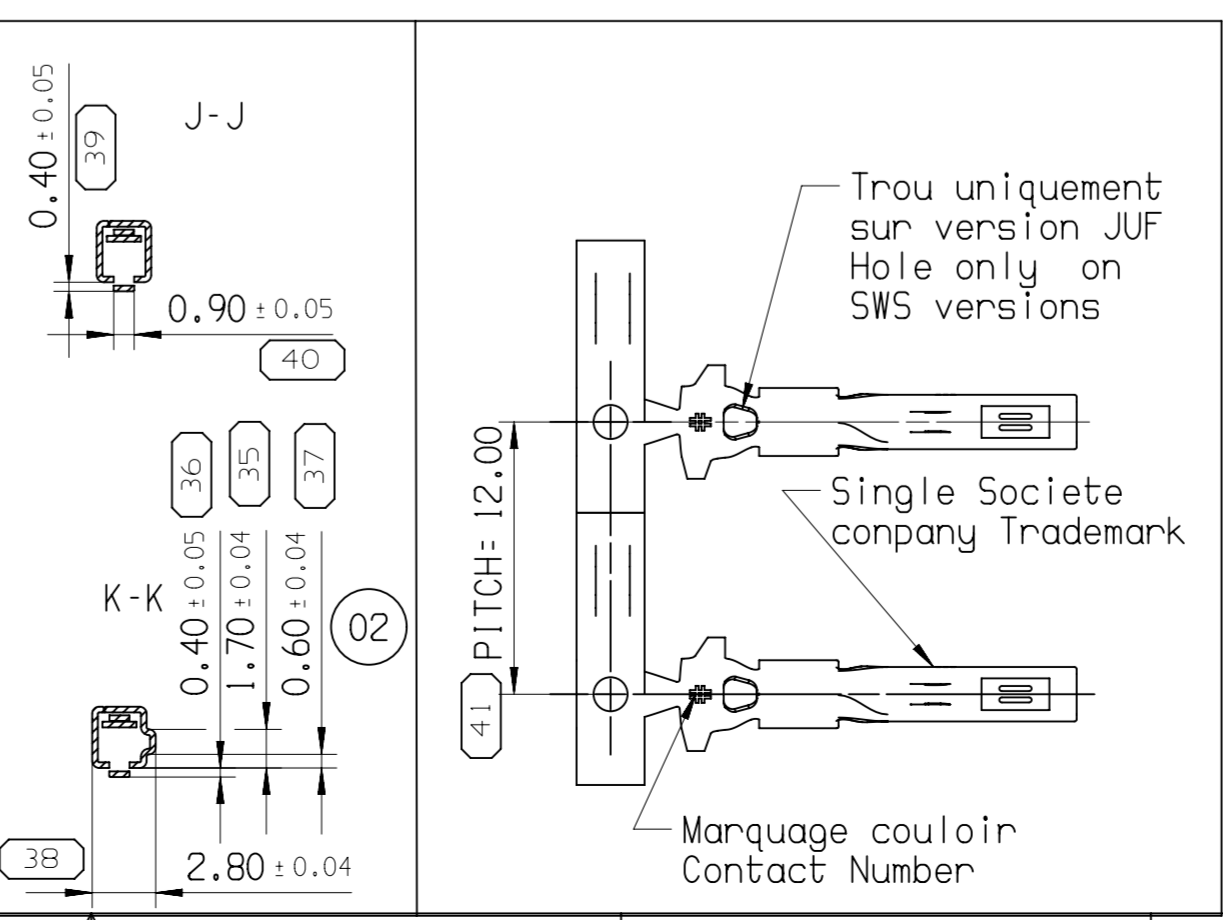
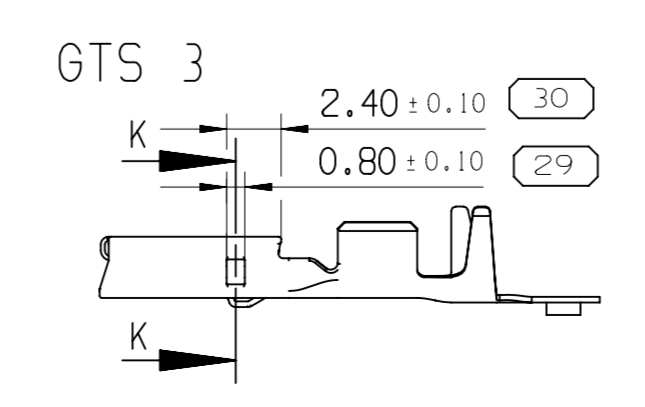
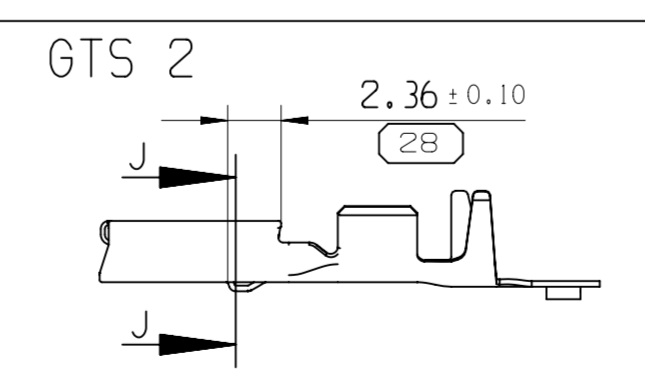
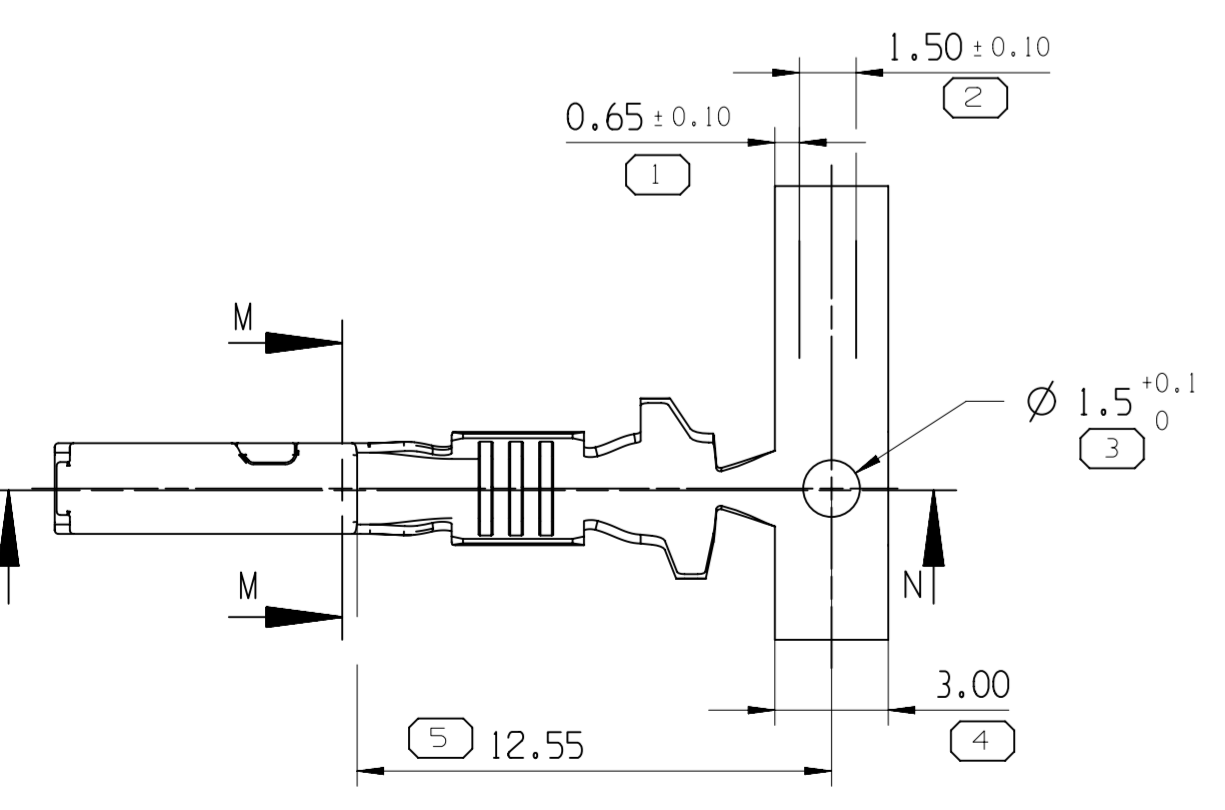
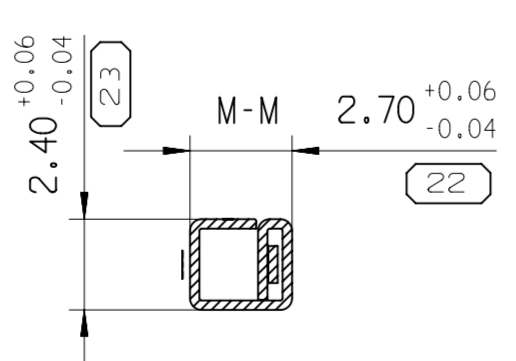
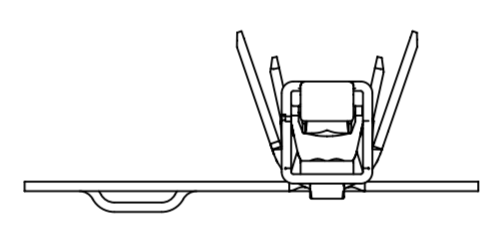
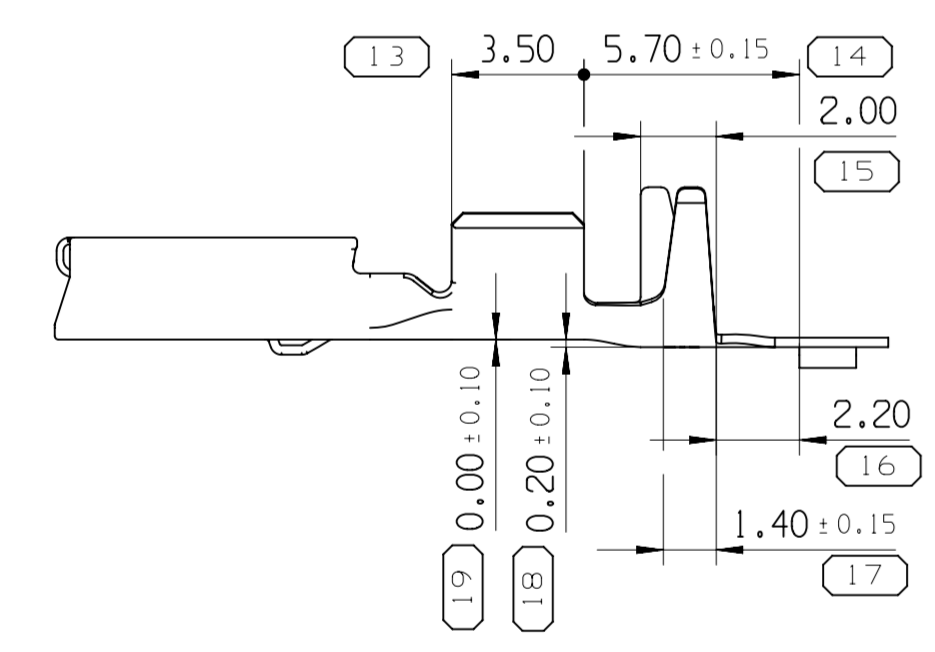
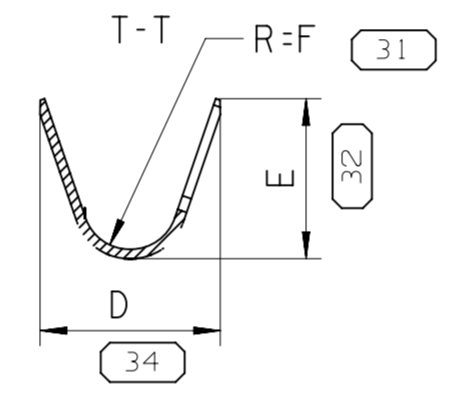
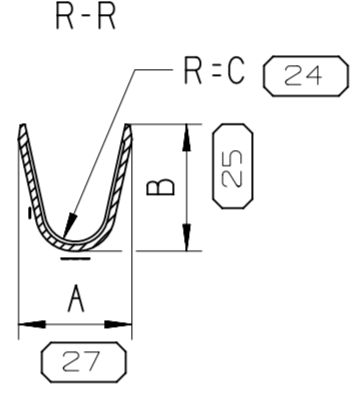
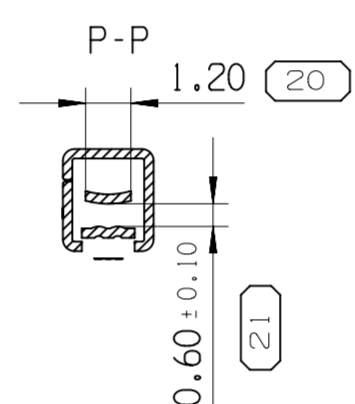
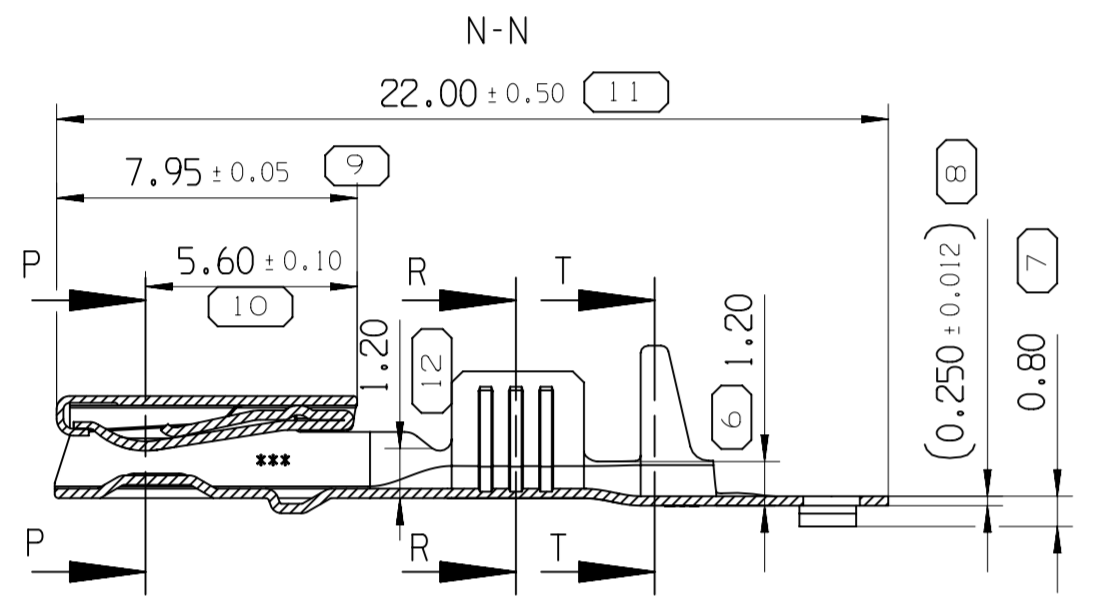


Etat / State		P/N REV.								Material	Classe									
		JOINT SUR FIL WIRE TUBE		JUF / SWS		JUF / SWS		JUF / SWS												
Pré-étamé Pre-tinned	GTS 2	MVL	F761110	A	PP10001580	A	PP10001482	A	F112300	A	PP10001483	A	F343100	A	PP10001484	A	F443100	A	Cu Ni Si	125°
		APTIV	33510897	01	13648599	01	13712871	01	13737770	01	13741954	01	13860784	01	13749482	01	13737773	01		
Pré-pisté Pre-tracked Au 1.27µm	GTS 3	MVL	F196400	A	PP10000597	E	PP10000596	E	F243300	A	PP10000598	E	F543100	A	PP10000599	E	F643100	A	150°	
		APTIV	33510898	01	33510899	01	33510901	01	33510902	01	33510904	01	33510906	01	33510908	01	33510910	01		
	GTS 2	MVL	-		F861110	A	-		F212300	A	F961110	A	F743100	A	F071110	A	F843100	A		
		APTIV	-		33510900	01	-		33510903	01	33510905	01	33510907	01	33510909	01	33510911	01		
Gamme / Range		1		4		2														
Section / Gauge		0.22 to 0.35		0.5 to 0.85		1 to 1.3		1.4 to 2												
∅ Isolant ∅ Insulation		1.15 to 1.50		1.4 to 1.9		1.75 to 2.2		2.1 to 2.8												
A		1.78		2.24		2.78		3.15												
B		02 2.00		2.36		2.95		3.30												
C		0.38		0.52		0.67		0.80												
D±0.3		2.53		3.08		5.00		4.00		5.00		5.00		5.00		5.20				
E		2.55		3.09		4.15		3.20		4.50		4.15		4.90						
F		0.65		0.82		1.25		1.00		1.35		1.25		1.35						
Poid sans bande porteuse (kg) Weight without carrier strip (kg)		0.00032		0.00034		0.00037		0.00036		0.00036		0.00037		0.00038		0.00038				

DWG STATUS				ZONE	REVISION HISTORY				AUTH	DR	APVD 1	APVD 2
DATE	STG	REV	N/P/CHG									
30SE16	R	01	-	-								
09FE21		02			G8	A6						

FILE TRANSLATED FROM MVL SYSTEM REDRAWN IN NX  
CORRECTED DIMENSION B RANGE 0 (2.24 BECOMMED 2.00)  
CORRECTED CODING DIMENSIONS GTS3



A LINE DRAWN THROUGH A PART NUMBER INDICATES THAT PHYSICAL PARTS ARE NOT AVAILABLE FOR ORDERING.  
PART NUMBERS THAT DO NOT HAVE A LINE PRESENT INDICATE THAT PHYSICAL PARTS ARE AVAILABLE FOR ORDERING.  
CONTACT APTIV SALES TO ASSURE AVAILABILITY OF PARTS.  
LA LIGNE TRACÉE SUR LA RÉFÉRENCE PIÈCE INDIQUE QUE LA PIÈCE N'EST PAS DISPONIBLE À LA COMMANDE.  
LES RÉFÉRENCES PIÈCES QUI NE SONT PAS BARRÉES INDICENT QUE CELLES-CI SONT DISPONIBLES PHYSIQUEMENT POUR ÊTRE COMMANDÉES.  
CONTACTER LE SERVICE COMMERCIAL DE APTIV POUR S'ASSURER DE LA DISPONIBILITÉ DES PIÈCES.  
R 0.2 MAX  
SHARP CORNER TOLERANCE  
R 0.1 MAX

DWG TYP	PART DRAWING
WEIGHT (GR)	DISTR CODE
VOLUME (CM³)	
ROUTING	
UNLESS OTHERWISE SPECIFIED	
GENERAL TOLERANCES ACCORDING TO: ±0.2 ±2°	
GD&T ACCORDING TO:	
REFERENCE	260FT0001
FIRST ANGLE PROJECTION	
DO NOT SCALE	
USE MATH DATA	

**• APTIV •**  
CONNECTION SYSTEMS  
Epernon, France  
COPYRIGHT 2013 APTIV. ALL RIGHTS RESERVED.  
REVISED 2016  
THIS DRAWING IS THE PROPERTY OF APTIV AND CONTAINS APTIV CONFIDENTIAL INFORMATION. THE REPRODUCTION, DISTRIBUTION AND UTILIZATION OF THIS DOCUMENT OR ITS RELATED CAD MATH DATA, AS WELL AS COMMUNICATION OF ANY CONTENT TO OTHERS, WITHOUT EXPRESS AUTHORIZATION, IS PROHIBITED.  
CE PLAN EST LE PROPRIÉTÉ DE DELPHI CORPORATION ET CONTIENT DES INFORMATIONS DELPHI CONFIDENTIELLES. LA REPRODUCTION, LA DISTRIBUTION ET L'UTILISATION DE CE DOCUMENT OU DE SES DONNÉES MATHÉMATIQUES CAO, AINSI QUE LA COMMUNICATION DE TOUT CONTENU À AUTRUI, SANS AUTORISATION EXPRESSE EST INTERDITE.

DR	S HERNANDEZ	DATE	27JN06
APVD1	F FAURIE		15JL13
APVD2	L DOMERGUE		19JL13
APVD3	PATRICE CAPPE		19JL13
APVD4			
APVD5			

SUBSTANCES OF CONCERN AND RECYCLED CONTENT PER APTIV 10949001 MATIERES PROSCRITES ET CONTENU RECYCLABLE SE10N DELPHI 10949001

MATERIAL  
SEE TABLE

DRAWING NAME  
FEMALE TERMINAL GTS 2/3  
1.5 X 0.8

DRAWING NUMBER  
13865952

SIZE	A1	SCALE	5:1	FRAME NO	1 OF 1	SHEET NO	1 OF 1	STG	R	REV	02	N/P	-
------	----	-------	-----	----------	--------	----------	--------	-----	---	-----	----	-----	---

NOTE :  
1 - FOR CRIMP SPECIFICATION, SEE : FE CS 07 001  
2 - FOR PACKAGING, SEE : PU N° 077